

AERA MAX[®]

Air Purifier | Purificateur d'air | Purificador de aire | Luftreiniger | Purificatore d'aria | Luchtreiniger | Luftrenare | Luftrenser | Ilmanpuhdistin | Luftrenser Oczyszczacz powietrza | Воздухоочиститель | Ιονιστής | Hava Temizleyici Čistička vzduchu | Čistič vzduchu | Légtisztító készülék | Purificador de ar



CUSTOMER SERVICE & SUPPORT

www.fellowes.com

Europe Freephone: 00800-1810-1810
Benelux: +31-(0)-13-458-0580
Deutschland: +49 (0)511 545489-0
France: +33 (0) 1 78 64 91 00
Italia: +39-071-730041
Polska: +48 (22) 205-21-10
España/Portugal: +34-91-748-05-01
United Kingdom: +44 (0) 1302 836836



Declaration of Conformity

Fellowes Manufacturing Company

Yorkshire Way, West Moor Park, Doncaster, South Yorkshire, DN3 3FB, England

Declares that the product AeraMax[®] DX5 conforms to the following requirements:

[2011/65/EC] Restriction of Hazardous Substances Directive

[2014/30/EU] Electromagnetic Compatibility Directive

[2012/19/EU] Electrical Product Waste Reduction

Human Exposure to Electromagnetic Fields

[2014/35/EU] Low Voltage Directive

Safety: EN60335-1: 2012/A11:2014
EN60335-2-65: 2003/A11:2012
EN62233: 2008

ROHS: 2011/65/EC
WEEE: 2012/19/EU
LVD: 2014/35/EU
EMC: 2014/30/EU

To the following harmonized European Names (EN Standards) and IEC Standards.

EN55014-1: 2006+A1:2009+A2:2011

EN55014-2: 2015

EN61000-3-2: 2014

EN61000-3-3: 2013


And to the following standards:

PPP 76001:2008 incl. AfPS GS 2014:01 PAK

AS/NZS CISPR 14.1:2003

German Equipment and Product Safety Act Section 7 Subsection 1 Sentence 2 GPSG

Itasca, Illinois, USA
January 1, 2016


John Fellowes

Fellowes
Brands™

1789 Norwood Avenue, Itasca, Illinois 60143 • 1-800-955-0959 • www.fellowes.com

© 2017 Fellowes, Inc. | Part #870447 Rev D

Please read these instructions before use.
Do not discard: keep for future reference.

Lire ces instructions avant utilisation.
Ne pas jeter : conserver pour référence ultérieure.

Lea estas instrucciones antes de usarlo.
No las deseche: guárdelas para tenerlas como referencia.

Diese Anleitungen vor Gebrauch genau durchlesen.
Bitte nicht entsorgen: Zur späteren Bezugnahme aufheben.

Prima dell'uso, si raccomanda di leggere questo manuale di istruzioni.
Conservare il manuale per consultarlo secondo le necessità.

Deze instructies voor gebruik lezen.
Niet weggoeien, maar bewaren om later te kunnen raadplegen.

Läs dessa anvisningar innan du använder apparaten.
Släng inte bort, behåll för framtida bruk.

Læs venligst denne vejledning før anvendelse.
Bør ikke bortskaffes. Behold for fremtidig henvisning.

Lue nämä ohjeet ennen käyttöä.
Älä hävitä: säilytä myöhempää käyttöä varten.

Vennligst les nøye igjennom denne bruksanvisningen før bruk.
Ikke kast den: Ta vare på den for senere referanse.

Przed użyciem proszę zapoznać się z tą instrukcją.
Nie wyrzucać - zachować jako źródło informacji na przyszłość

Перед началом эксплуатации обязательно прочтите данную инструкцию.
Не выбрасывайте данную инструкцию: сохраните ее для последующего использования.

Παρακαλείσθε να διαβάσετε αυτές τις οδηγίες πριν χρησιμοποιήσετε το προϊόν.
Μην τις απορρίψετε: κρατήστε τις για μελλοντική αναφορά.

Kullanmadan önce lütfen bu talimatları okuyun.
Atmayın: ileride başvurmak üzere saklayın.

Před použitím si přečtěte tyto pokyny.
Nelikvidujte: uschovejte pro budoucí použití.

Pred použitím si prečítajte tieto pokyny.
Nezahadzujte: odložte pre budúce použitie.

Kérjük, hogy használat előtt olvassa el az utasításokat!
Az utasításokat ne dobja ki; tartsa meg referenciá- anyagként való jövőbeni használatra.

Leia estas instruções antes da utilização.
Não as deite fora: conserve-as para consulta futura.

ENGLISH

AeraMax™ DX5

Thank you for purchasing a Fellowes® AeraMax™ Air Purifier. Please read this manual carefully before using.

PACKAGE CONTENTS

- Fellowes® AeraMax™ Air Purifier
- Carbon Filter (1 filter)
- True HEPA Filter with AeraSafe™ Antimicrobial Treatment (1 filter)
- Operator's Manual

AIR PURIFIER SPECIFICATIONS

AeraMax™ DX5 Air Purifier	
Room Area Served	8 m ²
Power Supply	AC 220-240V/50Hz
Power Rate	Low 49W, High 68W
Fan Speed	3 Speeds
Display	Touch Screen
Control Type	Auto/Manual/Aera+™
Air Quality Sensor	Yes
Filters	1 True HEPA Filter with AeraSafe™ Antimicrobial Treatment 1 Carbon Filter
Cleaning System	Carbon Filter/True HEPA Filter with AeraSafe™ Antimicrobial Treatment/PlasmaTRUE™
CADR	53 Smoke/ 51 Dust/ 58 Pollen
Color	White
Filter Specifications	
True HEPA Filter Replacement	9287001
Carbon Filter Replacement	9324001

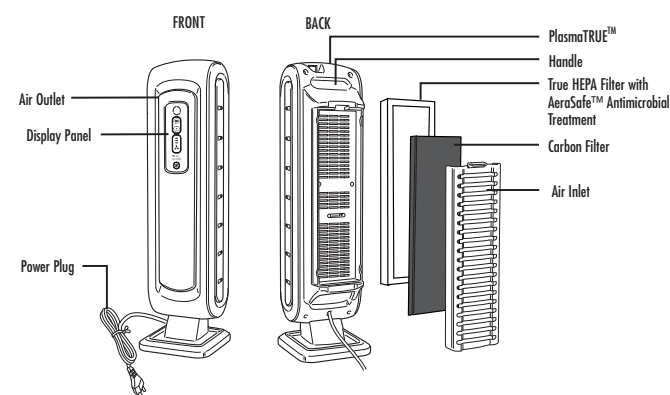
For replacement filters please visit: www.fellowes.com

AIR PURIFIER FEATURES

- ULTRA-QUIET OPERATION:** This Fellowes AeraMax™ Air Purifier has a three-speed fan with ultra-quiet operation that is ideal for 24 hour use.
- EASY MAINTENANCE:** For optimum performance, replace the True HEPA Filter when the HEPA Filter indicator has changed to red, or approximately every 12 months under normal usage conditions. Change the Carbon Filter when the Carbon Filter indicator has changed to red or approximately every 3 months.
- AeraSmart™ SENSOR:** This air purifier is equipped with an air quality sensor that automatically adjusts the fan speed to keep your air purified. Blue, amber and red lights indicate the purity of your air.

FOUR-STAGE PURIFICATION SYSTEM

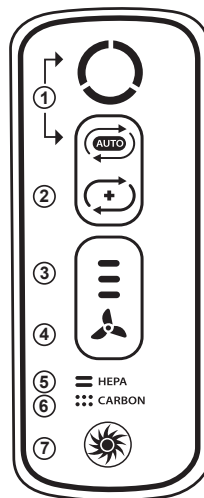
- CARBON FILTER:** Removes odors and captures large airborne particulates.
- TRUE HEPA FILTER:** Captures 99.97% of particles as small as 0.3 microns, including ragweed and other allergens, viruses, germs, dust mites, mold spores, pet dander and cigarette smoke.
- AeraSafe™ ANTIMICROBIAL TREATMENT:** Built-in protection from the growth of odor causing bacteria, mildew and fungi on the True HEPA Filter.
- PlasmaTRUE™ TECHNOLOGY:** In the final stage of purification, Fellowes® PlasmaTRUE™ Technology creates an ionized field to help safely remove airborne pollutants.



- REPLACEMENT FILTER INDICATOR LIGHTS:** Indicate when to replace the True HEPA Filter and Carbon Filter, depending on usage.
- THREE-SPEED SETTING:** From LOW for quiet, energy-efficient operation to HIGH for the most effective cleaning.
- Aera+™ MODE:** Designed for peak allergy season conditions. Increases air turnover rate by 35% versus low fan setting mode to remove even more allergens from your air.

DISPLAY PANEL/FUNCTIONS

- AeraSmart™ SENSOR:** Monitors the air quality and automatically adjusts the fan speed to keep your air purified. The unit is set to default to automatic operation when it is first turned on. If in manual operation, go back to auto at any time by pressing the auto icon.
- Aera+™ MODE:** Designed for peak allergy season conditions. Increases air turnover rate by 35% versus low fan setting mode to remove even more allergens from your air. Switch to Aera+™ mode by pressing the icon. To return to auto operation, press the icon once more to turn off.
- FAN SPEED INDICATOR:** Shows current fan speed setting: low, medium or high speed.
- MANUAL FAN SPEED ADJUSTMENT** - Tap fan icon to manually select fan speed.
- TRUE HEPA FILTER CHANGE INDICATOR** - Amber and red lights indicate when to replace filter. The red indicator light will signal when to replace filter. (Recommended to replace filter every twelve months under normal usage conditions.)
- CARBON FILTER CHANGE INDICATOR** - Amber and red lights indicate when to replace filter. The red indicator light will signal when to replace filter. (Recommended to replace filter every three months under normal usage conditions.)
- PlasmaTRUE™ TECHNOLOGY** - Creates an ionized field to help safely remove airborne pollutants.



AeraSmart™ SENSOR

Air quality indicator shows levels of air quality.



Blue level indicates air is clean.
Amber level indicates air quality is poor.
Red level indicates high level of pollutants in the air.

FAN SPEED SETTINGS



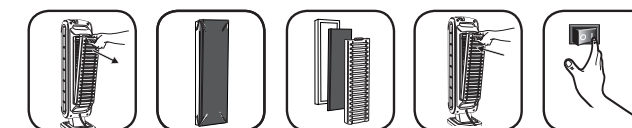
LOW MEDIUM HIGH

SAFETY INSTRUCTIONS/WARNING

WARNING: Follow the instructions in this manual to reduce the risk of electric shock, short circuit, and/or fire:

- Do not repair or modify the unit unless specifically recommended in this manual. All repairs should be completed by a qualified technician.
- Do not force the plug into an electrical outlet.
- Do not alter the plug in any way. If the plug does not fit into the outlet, reverse the plug. If it still does not fit, contact a qualified technician to install a proper outlet.
- Do not use if the power cord or plug is damaged or the connection to the wall outlet is loose.
- Use AC 220-240V only.
- Do not damage, break, forcefully bend, pull, twist, bundle, coat, pinch, or place heavy objects on the power cord.
- Periodically remove dust from the power plug. This will reduce the chance that humidity will accumulate, which increases the risk of electric shock.
- If the supply cord is damaged, it must be replaced by the manufacturer, its service agent or similarly qualified persons in order to avoid a hazard.
- Remove the power plug from the outlet before cleaning the unit. When removing the power plug, grasp by holding the plug itself, never hold by the cord.
- Remove the power plug from the outlet when the unit is not in use.
- Do not handle the power plug with wet hands.
- Do not operate the unit when using indoor smoke-generating insecticides.
- Do not clean unit with benzene or paint thinner. Do not spray insecticides on the unit.
- Do not use the unit where it is humid or where the unit may get wet, such as in a bathroom.
- Do not insert fingers or foreign objects into the air intake or outlet.
- Do not use the unit near flammable gases. Do not use near cigarettes, incense, or other spark-creating items.
- Unit will not remove carbon monoxide emitted from heating appliances or other sources.
- Do not block the intake or outlet vents.
- Do not use near hot objects, such as a stove. Do not use where the unit may come into contact with steam.
- Do not use the unit on its side.
- Keep away from products that generate oily residue, such as a deep fryer.
- Do not use detergent to clean the unit.
- Do not operate without a filter.
- Do not wash and reuse the True HEPA Filter.
- Do not run power cord under carpets or cover with throw rugs.
- When moving machine, always lift using handle.
- This appliance is not intended for use by persons (including children) with reduced physical, sensory or mental capabilities, or lack of experience and knowledge, unless they have been given supervision or instruction concerning use of the appliance by a person responsible for their safety.
- This appliance can be used by children aged from 8 years and above and persons with reduced physical, sensory or mental capabilities or lack of experience and knowledge if they have been given supervision or instruction concerning use of the appliance in a safe way and understand the hazards involved. Children shall not play with the appliance. Cleaning and user maintenance shall not be made by children without supervision.

SET-UP AND OPERATION



NOTE: follow these instructions for best results

Place unit at least ½ meter from the wall. Keep unit away from drafty areas. Keep curtains away from unit, as they may interfere with air intake/outlet. Place unit on a stable surface with plenty of air circulation.

- Remove protective film from the control panel.
- Compress tab and pull out back panel.
- Remove bag from filters. Place filters back in unit.
- Insert True HEPA Filter first and then Carbon Filter.
- Fully insert filter panel bottom tabs first, then insert top tab until click is heard.
- Plug in the power cord to a wall outlet.
- Turn unit on. Unit will beep.

For approximately the first 4 minutes after turning the unit on, the indicators will flash while the unit measures air quality.

FILTER REPLACEMENT:

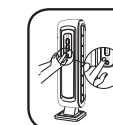
The replacement filter indicators will signal when to replace the True HEPA Filter and/or Carbon Filter. The replacement period will vary depending on the hours of use and air quality. However, under normal usage, most True HEPA Filters need to be replaced annually, and Carbon Filters every three months.

Do not wash and reuse the True HEPA or Carbon Filters—they will not work effectively. Only use Fellowes brand AeraMax™ replacement filters.

WARNING: Before replacing any filters, make sure to remove the power plug from the wall outlet.

FILTER INDICATOR RESET:

- Be sure that back panel is snapped in place.
- Turn on the unit.
- Locate the filter replacement icon on the display panel.
- Touch and hold the filter replacement icon for 3 seconds. HEPA Filter icon will flash amber. Touch filter icon area to alternate between HEPA and Carbon.
- Once desired filter is illuminated, touch and hold for 3 seconds. A short beep will be heard and the light should turn off. Repeat process for each filter as needed.



CARE AND MAINTENANCE

CLEANING:

Clean unit as necessary by wiping with a dry, soft cloth; for stubborn stains, use a warm, damp cloth. Do not use volatile fluids such as benzene, paint thinner, or scouring powder, as they may damage the unit surface. Keep the unit dry.

TROUBLESHOOTING: Solutions to common problems

Review this list before you call for service. This list covers problems that are not the result of defective materials or workmanship.

PROBLEM:	POSSIBLE SOLUTION:
The unit leaves smoke and odors in the air.	Make sure the sensor is not blocked or clogged. Move the unit closer to the offending odors. Replace the filters as needed.
The unit seems to produce odors.	Replace the filters as needed.
The unit makes a faint ticking sound.	This indicates that the PlasmaTRUE™ function is working.
The unit interferes with radio or television reception.	Because this unit radiates radio frequency energy, we suggest you try one or more of the following: <ul style="list-style-type: none"> For better reception, adjust the television/radio antenna. Move the unit away from the affected television/radio. Plug the unit power cord into an outlet different from the television/radio power cord.
The True HEPA and Carbon Filter indicators remain lit after replacing the True HEPA and/or Carbon Filter.	Repeat filter light reset instructions from the Set-Up and Operation section.
The PlasmaTRUE™ icon is not illuminated.	Touch and hold PlasmaTRUE™ icon for five seconds until unit beeps.
The wrong filter replacement light was reset.	In the case of unintended filter reset, repeat the filter reset procedure from the Set-Up and Operation section within 5 minutes of unintended reset. The filter counter and indicator will return to the status previous to the reset.

FRANÇAIS

AeraMax™ DX5

Merci d'avoir acheté un purificateur d'air Fellowes® AeraMax™. Veuillez lire attentivement ce manuel avant l'utilisation.

CONTENU DE L'EMBALLAGE

- Purificateur d'air Fellowes® AeraMax™
- Filtre au carbone (1 filtre)
- Filtre True HEPA avec traitement antimicrobien AeraSafe™ (1 filtre)
- Manuel de l'utilisateur

CARACTÉRISTIQUES TECHNIQUES DU PURIFICATEUR D'AIR

Purificateur d'air AeraMax™ DX5	
Surface desservie	8 m²
Alimentation électrique	220-240 V c.a./50 Hz
Puissance	Minimum 49 W, Maximum 68 W
Vitesse du ventilateur	3 vitesses
Affichage	Écran tactile
Type de commande	Auto/Manuelle/Aera+™
Capteur de qualité de l'air	Oui
Filtres	1 filtre True HEPA avec traitement antimicrobien AeraSafe™ 1 filtre au carbone
Système de nettoyage	Filtre au carbone/Filtre True HEPA avec traitement antimicrobien AeraSafe™/ PlasmaTRUE™
CADR	53 Fumée/ 51 Poussière/ 58 Pollen
Couleur	Blanc
Spécifications des filtres	
Filtre True HEPA de rechange	9287001
Filtre au carbone de rechange	9324001

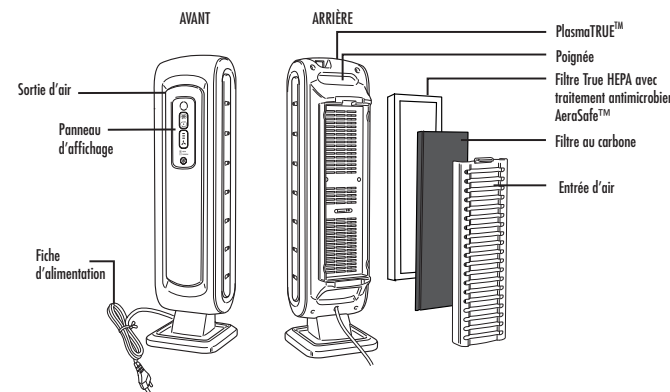
Pour obtenir des filtres de rechange, consulter le site : www.fellowes.com

CARACTÉRISTIQUES DU PURIFICATEUR D'AIR

- **FONCTIONNEMENT ULTRA SILENCIEUX** : Ce purificateur d'air Fellowes AeraMax™ dispose d'un ventilateur à trois vitesses. Ultra silencieux, il est idéal pour une utilisation 24h/24.
- **ENTRETIEN FACILE** : Pour obtenir une performance optimale, remplacer le filtre True HEPA lorsque l'indicateur de durée de vie du filtre HEPA devient rouge, soit environ tous les 12 mois dans des conditions d'utilisation normale. Remplacer le filtre au carbone lorsque l'indicateur de durée de vie du filtre au carbone devient rouge, soit environ tous les 3 mois.
- **CAPTEUR AeraSmart™** : Ce purificateur d'air est équipé d'un capteur de qualité de l'air qui ajuste automatiquement la vitesse du ventilateur pour garder l'air pur. Les voyants indicateurs bleu, ambre et rouge renseignent la pureté de l'air.

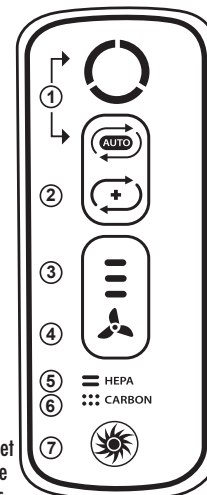
SYSTÈME DE PURIFICATION EN QUATRE ÉTAPES

- **FILTRE AU CARBONE** : Élimine les odeurs et capture les grosses particules aéroportées.
- **FILTRE TRUE HEPA** : Capture 99,97 % des particules aussi petites que 0,3 microns, y compris les amibes et autres allergènes, virus, germes, acariens, spores de moisissure, squames d'animaux, ainsi que la fumée de cigarette.
- **TRAITEMENT ANTIMICROBIEN AeraSafe™** : Protection intégrée contre la formation de bactéries, moisissures et champignons responsables des odeurs sur le filtre True HEPA.
- **TECHNOLOGIE PlasmaTRUE™** : Lors de la dernière étape de purification, la technologie Fellowes® PlasmaTRUE™ crée un champ ionisé qui aide à supprimer les polluants aéroportés en toute sécurité.

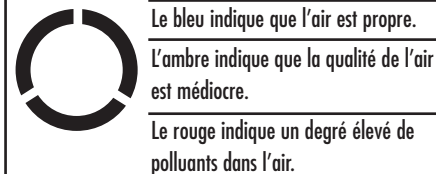


PANNEAU D'AFFICHAGE/FONCTIONS

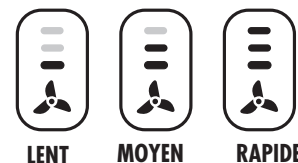
1. **CAPTEUR AeraSmart™** : Surveille la qualité de l'air et règle automatiquement la vitesse du ventilateur pour garder l'air pur. L'appareil est réglé par défaut au mode automatique lors de sa première mise sous tension. Si le purificateur est en mode manuel, vous pouvez repasser en mode automatique à tout moment en appuyant sur l'icône auto.
2. **MODE Aera+™** : Conçu pour le pic saisonnier des allergies. Augmente le taux de remplacement de l'air de 35 % par rapport au mode de ventilation lent, pour supprimer encore plus d'allergènes présents dans l'air. Pour passer au mode Aera+™, appuyer sur l'icône (☺). Pour retourner au mode automatique, appuyer sur l'icône (☺) une nouvelle fois pour le désactiver.
3. **INDICATEUR DE VITESSE DU VENTILATEUR** : Indique le réglage de vitesse du ventilateur sélectionné : lent, moyen ou rapide.
4. **RÉGLAGE MANUEL DE LA VITESSE DU VENTILATEUR** : Appuyer sur l'icône du ventilateur pour sélectionner manuellement sa vitesse.
5. **INDICATEUR DE CHANGEMENT DU FILTRE TRUE HEPA** : Les voyants indicateurs ambre et rouge indiquent le moment de remplacer le filtre. Le voyant indicateur rouge signale le moment de remplacer le filtre. (Il est recommandé de remplacer le filtre tous les douze mois dans des conditions d'utilisation normale.)
6. **INDICATEUR DE CHANGEMENT DU FILTRE AU CARBONE** : Les voyants indicateurs ambre et rouge indiquent le moment de remplacer le filtre. Le voyant indicateur rouge signale le moment de remplacer le filtre. (Il est recommandé de remplacer le filtre tous les trois mois dans des conditions d'utilisation normale.)
7. **Technologie PlasmaTRUE™** : Crée un champ ionisé qui aide à supprimer les polluants aéroportés en toute sécurité.



CAPTEUR AeraSmart™
Le voyant indicateur de qualité de l'air affiche les divers degrés de la qualité de l'air.



RÉGLAGES DE VITESSE DU VENTILATEUR

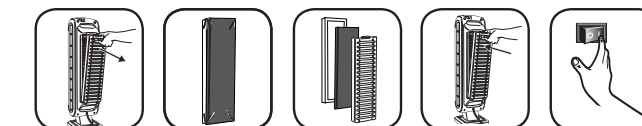


CONSIGNES DE SÉCURITÉ/AVERTISSEMENT

AVERTISSEMENT : Suivre les instructions de ce manuel pour réduire le risque de décharges électriques, de court-circuit et de feu :

- Ne pas réparer ni modifier l'appareil à moins de recommandation spécifique dans ce manuel. Toutes les réparations doivent être effectuées par un technicien qualifié.
- Ne pas forcer sur la fiche pour la faire entrer dans une prise électrique.
- Ne modifier la fiche d'aucune façon. Si la fiche n'entre pas dans la prise, l'inverser. Si elle n'entre toujours pas, demander à un technicien qualifié d'installer une prise appropriée.
- Ne pas utiliser l'appareil si son cordon d'alimentation ou sa fiche sont endommagés ou si la connexion à la prise murale est lâche.
- Utiliser uniquement un courant alternatif de 220-240 V.
- Veiller à ne pas endommager le cordon d'alimentation ; ne pas le couper, le courber avec force, le tirer, le tordre, le rouler serré, l'enduire, le pincer ni poser d'objets lourds dessus.
- Retirer de temps en temps la poussière accumulée sur la fiche. Ceci permettra de réduire les risques d'accumulation d'humidité et par conséquent les risques de décharges électriques.
- Si le cordon d'alimentation est endommagé, il doit être remplacé par le fabricant, son agent d'entretien ou des personnes aux qualifications similaires pour éviter tout risque.
- Retirer la fiche de la prise électrique avant de nettoyer l'appareil. Pour retirer la fiche de la prise électrique, ne jamais tirer sur le cordon ; saisir la fiche elle-même.
- Retirer la fiche de la prise électrique quand l'appareil n'est pas utilisé.
- Ne pas manipuler la fiche avec les mains mouillées.
- Ne pas faire fonctionner l'appareil pendant l'utilisation de produits insecticides producteurs de fumée.
- Ne pas nettoyer l'appareil avec du benzène ou du diluant pour peinture. Ne pas pulvériser d'insecticides sur l'appareil.
- Ne pas utiliser l'appareil dans des endroits humides ou dans des endroits où il risque d'être mouillé, comme dans une salle de bains.
- Ne pas mettre les doigts ni des objets étrangers dans l'entrée ni dans la sortie d'air.
- Ne pas utiliser l'appareil près de gaz inflammables. Ne pas utiliser l'appareil près de cigarettes, d'encens ni d'autres objets susceptibles de produire des étincelles.
- L'appareil n'est pas conçu pour éliminer l'oxyde de carbone produit par des appareils de chauffage ou d'autres sources.
- Ne bloquer ni l'entrée d'air ni la sortie d'air.
- Ne pas utiliser l'appareil près d'objets chauds, tels qu'un poêle. Ne pas utiliser l'appareil là où il risque d'être en contact avec de la vapeur.
- Ne pas faire fonctionner l'appareil sur son côté.
- Tenir l'appareil éloigné d'articles pouvant produire un résidu huileux, tels qu'une friteuse.
- Ne pas utiliser de détergent pour nettoyer l'appareil.
- Ne pas faire fonctionner l'appareil sans filtre.
- Ne pas laver puis réutiliser le filtre True HEPA.
- Ne pas faire passer le cordon d'alimentation sous une moquette ou le couvrir d'un tapis.
- Pour déplacer l'appareil, toujours utiliser la poignée.
- Cet appareil n'est pas conçu pour être utilisé par des personnes (y compris les enfants) présentant des capacités mentales ou physico-sensorielles réduites, ou un manque d'expérience et de connaissances, à moins qu'elles aient été surveillées ou formées à l'utilisation de l'appareil par une personne responsable de leur sécurité.
- Cet appareil peut être utilisé par des enfants de 8 ans et plus et des personnes présentant des capacités mentales ou physico-sensorielles réduites, ou un manque d'expérience et de connaissances, s'ils sont surveillés ou formés à une utilisation sûre de l'appareil et s'ils comprennent les risques encourus. Les enfants ne doivent pas jouer avec l'appareil. Le nettoyage et l'entretien ne doivent pas être réalisés par des enfants sans surveillance.

MONTAGE ET UTILISATION



REMARQUE : pour obtenir les meilleurs résultats possibles, suivre ces instructions
Placez l'appareil à au moins 50 cm du mur. Ne pas mettre l'appareil dans des zones de courants d'air. Ne pas mettre l'appareil près de rideaux qui pourraient gêner la circulation de l'air. Mettre l'appareil sur une surface stable, en présence d'une bonne circulation d'air.

1. Retirer le film protecteur du panneau de commande.
 2. Appuyer sur la languette et retirer le panneau arrière.
 3. Retirer le sac entourant les filtres. Replacer les filtres dans l'appareil.
 4. Insérer le filtre True HEPA en premier, puis le filtre au carbone.
 5. Insérer d'abord les languettes inférieures du panneau du filtre, puis la partie supérieure jusqu'à entendre un clic.
 6. Brancher le cordon d'alimentation à une prise murale.
 7. Mettre l'appareil en marche. Il émettra un bip sonore.
- Pendant les 4 premières minutes suivant la mise sous tension de l'appareil, les voyants indicateurs clignotent pendant que l'appareil mesure la qualité de l'air.

REMPLACEMENT DES FILTRES :

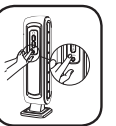
Les indicateurs de remplacement de filtre signalent le moment de remplacer le filtre True HEPA et/ou le filtre au carbone. La fréquence de remplacement des filtres varie suivant le nombre d'heures d'utilisation et la qualité de l'air. Toutefois, la plupart des filtres True HEPA, s'ils sont utilisés normalement, doivent être remplacés chaque année et les filtres au carbone tous les trois mois.

Ne pas laver puis réutiliser les filtres True HEPA ni les filtres au carbone, car ils ne seraient plus efficaces. Utiliser uniquement les filtres de rechange AeraMax™ de marque Fellowes.

AVERTISSEMENT : Avant de remplacer les filtres, ne pas oublier de débrancher la fiche de la prise électrique.

RÉINITIALISATION DE L'INDICATEUR DES FILTRES :

1. S'assurer que le panneau arrière est bien fixé.
2. Mettre l'appareil en marche.
3. Repérer le bouton de remplacement de filtre sur le panneau d'affichage.
4. Appuyer sur l'icône de remplacement du filtre pendant 3 secondes. L'icône du filtre HEPA affichera la couleur ambre. Toucher l'icône du filtre pour alterner entre le filtre HEPA et le filtre au carbone.
5. Une fois le voyant indicateur allumé pour le filtre souhaité, appuyer sur l'icône pendant 3 secondes. Un bip sonore court doit se faire entendre et le voyant doit s'éteindre. Répéter les étapes ci-dessus pour chaque filtre au besoin.



PRÉCAUTIONS ET ENTRETIEN

NETTOYAGE :

Nettoyer l'appareil selon le besoin, en l'essuyant avec un chiffon doux et sec ; pour les taches rebelles, utiliser un chiffon humide, tiède. Ne pas utiliser de liquide volatil tel que le benzène, ni du diluant pour peinture, ni de la poudre à récurer, car ces produits risqueraient d'endommager la surface de l'appareil. Veiller à ce que l'appareil reste sec.

DÉPANNAGE : Solutions aux problèmes courants

Revoir la liste suivante avant de téléphoner pour demander de l'aide. Cette liste traite des problèmes qui ne proviennent pas de défauts de matériaux ou de fabrication.

PROBLÈME :	SOLUTION POSSIBLE :
L'appareil laisse de la fumée et des odeurs dans l'air.	Vérifier que le détecteur n'est ni bloqué ni encrassé. Rapprocher l'appareil de l'endroit d'origine des odeurs. Remplacer les filtres selon le besoin.
L'appareil semble produire des odeurs.	Remplacer les filtres selon le besoin.
L'appareil fait entendre un faible cliquetis.	Cela indique que la fonction PlasmaTRUE™ fonctionne.
L'appareil gêne la réception de la radio ou de la télévision.	Comme cet appareil produit de l'énergie radio fréquence, nous suggérons d'essayer ce qui suit : - Pour obtenir une meilleure réception, régler l'antenne de télévision/radio. - Éloigner l'appareil de la télévision/radio affectée. - Brancher le cordon d'alimentation de l'appareil sur une prise électrique différente de celle sur laquelle le cordon de la télévision/radio est branché.
Les voyants indicateurs des filtres HEPA et au carbone restent allumés après le remplacement des filtres True HEPA et/ou au carbone.	Répéter les instructions de réinitialisation des voyants indicateurs de filtre à partir de la section Montage et Utilisation.
L'icône PlasmaTRUE™ ne s'allume pas.	Appuyer sur l'icône PlasmaTRUE™ pendant cinq secondes ou jusqu'à ce que l'appareil émette un bip sonore.
Le voyant indicateur de remplacement de filtre a été réinitialisé pour le mauvais filtre.	En cas de réinitialisation par erreur d'un filtre, répéter la procédure de réinitialisation du filtre à partir de la section Montage et Utilisation dans les 5 minutes suivants la réinitialisation non souhaitée. Le compteur et l'indicateur du filtre afficheront leur statut antérieur précédant la réinitialisation.

ESPAÑOL

AeraMax™ DX5

Gracias por comprar el purificador de aire AeraMax™ de Fellowes®. Lea el manual con atención antes de utilizar el producto.

CONTENIDO DEL PAQUETE:

- Purificador de aire AeraMax™ de Fellowes®
- Filtro de carbono (1 filtro)
- Filtro True HEPA con tratamiento antimicrobiano AeraSafe™ (1 filtro)
- Manual del operador

ESPECIFICACIONES DEL PURIFICADOR DE AIRE

Purificador de aire AeraMax™ DX5	
Área aplicable	8 m²
Fuente de alimentación	CA 220-240 V/50 Hz
Potencia	Baja 49 W, alta 68 W
Velocidad del ventilador	3 velocidades
Visor	Pantalla táctil
Tipo de control	Automático/manual/Aera+™
Sensor de calidad de aire	SI
Filtros	1 filtro True HEPA con tratamiento antimicrobiano AeraSafe™ 1 filtro de carbono
Sistema de limpieza	Filtro de carbono/filtro True HEPA con tratamiento antimicrobiano AeraSafe™/ PlasmaTRUE™
CADR	53 humo / 51 polvo / 58 polen
Color	Blanco
Especificaciones del filtro	
Repuesto del filtro True HEPA	9287001
Repuesto del filtro de carbono	9324001

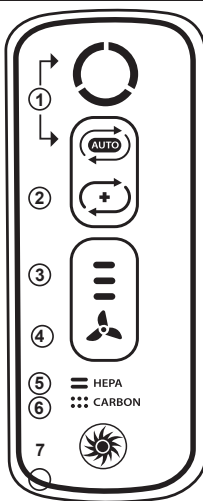
Para filtros de repuesto, visite: www.fellowes.com

CARACTERÍSTICAS DEL PURIFICADOR DE AIRE

- FUNCIONAMIENTO ULTRASILENCIOSO:** Este purificador de aire AeraMax™ de Fellowes dispone de un ventilador de tres velocidades con funcionamiento ultrasilencioso ideal para utilizarlo durante las 24 horas.
- MANTENIMIENTO SENCILLO:** Para lograr un rendimiento óptimo, cambie el filtro True HEPA cuando el indicador del mismo se haya puesto rojo o cada aproximadamente 12 meses en condiciones de uso normales. Cambie el filtro de carbono cuando el indicador del mismo se haya puesto rojo o cada aproximadamente 3 meses.
- SENSOR AeraSmart™:** El purificador de aire está equipado con un sensor de calidad del aire que ajusta de manera automática la velocidad del ventilador para mantener el aire purificado. Las luces de color azul, ámbar y rojo indican la pureza del aire.

PANEL DE VISUALIZACIÓN/FUNCIONES

- SENSOR AeraSmart™:** Controla la calidad del aire y ajusta de manera automática la velocidad del ventilador para mantener el aire purificado. La unidad está configurada con los valores predeterminados para funcionar de forma automática cuando se enciende por primera vez. Si utiliza el modo manual, puede volver al funcionamiento automático en cualquier momento al pulsar el icono "AUTO".
- MODO Aera+™:** Diseñado para la temporada de alergias. Aumenta el índice de renovación del aire en un 35 % en comparación con la configuración del modo bajo del ventilador para eliminar incluso más alérgenos de su aire. Acceda al modo Aera+™ al pulsar el icono (☀). Para volver al funcionamiento automático, pulse el icono (☁) una vez más para apagarlo.
- INDICADOR DE VELOCIDAD DEL VENTILADOR:** Muestra la configuración actual de velocidad del ventilador: baja, media o alta.
- AJUSTE MANUAL DE LA VELOCIDAD DEL VENTILADOR** - Pulse el icono del ventilador para seleccionar manualmente la velocidad del ventilador.
- INDICADOR DE CAMBIO DE FILTRO TRUE HEPA** - Las luces ámbar y roja indican cuándo reemplazar el filtro. El indicador luminoso rojo señala cuándo cambiar el filtro. (Es recomendable cambiar el filtro cada doce meses en condiciones de uso normales).
- INDICADOR DE CAMBIO DE FILTRO DE CARBONO** - Las luces ámbar y roja indican cuándo reemplazar el filtro. El indicador luminoso rojo señala cuándo cambiar el filtro. (Es recomendable cambiar el filtro cada tres meses en condiciones de uso normales).
- TECNOLOGÍA PlasmaTRUE™** - Crea un campo ionizado que ayuda a eliminar los contaminantes en suspensión en el aire de forma segura.



SENSOR AeraSmart™

Indicador de calidad del aire que muestra los niveles de calidad del aire.

El nivel azul indica que el aire está limpio.

El nivel ámbar indica que la calidad del aire es deficiente.

El nivel rojo indica altos niveles de contaminantes en el aire.

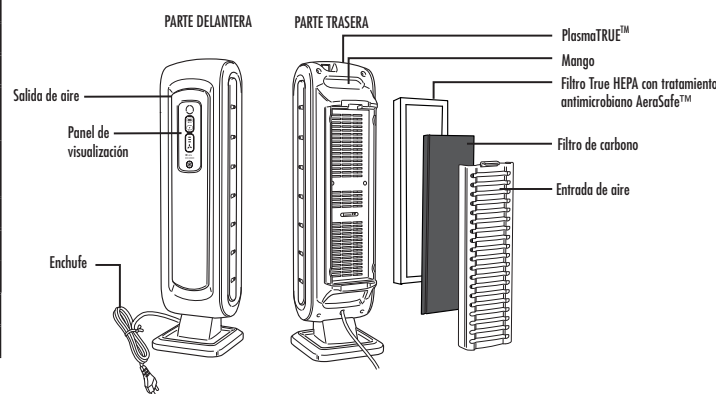
AJUSTES DE VELOCIDAD DEL VENTILADOR



BAJA MEDIA ALTA

SISTEMA DE PURIFICACIÓN DE CUATRO ETAPAS

- FILTRO DE CARBONO:** Elimina olores y captura partículas grandes en suspensión en el aire.
- FILTRO TRUE HEPA:** Captura el 99,97 % de las partículas de tan solo 0,3 micrones, incluido el polen de ambrosías y otros alérgenos, virus, gérmenes, ácaros del polvo, esporas de moho, caspa de mascotas y humo de tabaco.
- TRATAMIENTO ANTIMICROBIANO AeraSafe™:** Protección integrada para eliminar los olores que producen bacterias, moho y hongos en el filtro True HEPA.
- TECNOLOGÍA PlasmaTRUE™:** En la etapa final de purificación, la tecnología PlasmaTRUE™ de Fellowes® crea un campo ionizado que ayuda a eliminar los contaminantes en suspensión en el aire de forma segura.



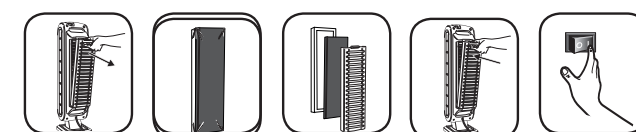
INSTRUCCIONES/ADVERTENCIA DE SEGURIDAD

ADVERTENCIA: Siga las instrucciones detalladas en este manual para minimizar el riesgo de descargas eléctricas, cortocircuitos o incendios:

- No repare ni modifique la unidad excepto que se recomiende específicamente en este manual. Toda reparación deberá ser realizada por un técnico cualificado.
- No fuerce el enchufe en una toma de corriente eléctrica.
- No altere el enchufe de ninguna manera. Si el enchufe no entra en la toma, dé vuelta el enchufe. Si aún así no entra, póngase en contacto con un técnico cualificado para instalar una toma adecuada.
- No utilice el producto si el cable de alimentación o el enchufe están dañados o si la conexión a la toma de la pared está floja.
- Use solamente 220-240 V CA.
- No dañe, rompa, doble a la fuerza, tire, retuerza, acople, cubra, apriete o coloque objetos pesados sobre el cable de alimentación.
- Limpie el polvo del enchufe de forma periódica. Esto reducirá la posibilidad de que se acumule humedad, lo que aumenta el riesgo de descarga eléctrica.
- Si el cable de alimentación está dañado, su sustitución debe dejarse en manos del fabricante, el agente de servicio de éste o una persona debidamente cualificada, con el fin de evitar riesgos.
- Desconecte el enchufe de la toma antes de limpiar la unidad. Al desconectar el enchufe, tómelo del enchufe mismo, nunca del cable.
- Desconecte el enchufe de la toma cuando no use la unidad.
- No toque el enchufe con las manos mojadas.
- No haga funcionar la unidad después de haber utilizado insecticidas para interiores que generen humo.
- No limpie la unidad con benceno ni diluyente para pintura. No pulverice insecticidas sobre la unidad.
- No utilice la unidad en ambientes húmedos o donde pudiera mojarse, por ejemplo, en el baño.

- No introduzca los dedos u objetos extraños en la entrada o salida de aire.
- No utilice la unidad cerca de gases inflamables. No utilice la unidad cerca de cigarrillos, incienso u otros elementos que pueden generar chispas.
- La unidad no eliminará el monóxido de carbono que emiten los calefactores u otras fuentes.
- No bloquee las rejillas de entrada o salida.
- No utilice la unidad cerca de objetos calientes, por ejemplo, una cocina. No utilice la unidad donde pueda entrar en contacto con vapor.
- No utilice la unidad de lado.
- Mantenga la unidad alejada de productos que generen residuos grasos, por ejemplo, una freidora.
- No utilice detergente para limpiar la unidad.
- No ponga en funcionamiento la unidad sin un filtro.
- No limpie ni reutilice el filtro True HEPA.
- No coloque el cable de alimentación debajo de moquetas ni lo cubra con alfombras.
- Para trasladar la máquina, sujétela siempre por el mango.
- Este dispositivo no está indicado para ser utilizado por personas (incluidos niños) discapacitadas física o mentalmente, o que no dispongan de la experiencia o los conocimientos pertinentes, a menos que reciban instrucciones sobre el uso del dispositivo o lo hagan bajo la supervisión de los responsables de su seguridad.
- Este dispositivo lo pueden utilizar niños a partir de los 8 años de edad y personas con capacidades mentales, sensoriales o físicas reducidas o con falta de experiencia y conocimiento si se les proporciona supervisión o instrucciones sobre el uso del dispositivo de manera segura y entienden los peligros que conlleva. Los niños no deben jugar con el dispositivo. Los niños no deben realizar las tareas de limpieza y mantenimiento sin supervisión.

INSTALACIÓN Y FUNCIONAMIENTO



NOTA: siga estas instrucciones para obtener mejores resultados

Coloque la unidad a medio metro de la pared como mínimo. Mantenga la unidad alejada de áreas con corrientes de aire. Mantenga las cortinas alejadas de la unidad, ya que podrían interferir con la entrada y salida de aire. Coloque la unidad sobre una superficie estable con abundante circulación de aire.

- Retire la película protectora del panel de control.
 - Apriete la pestaña y retire el panel trasero.
 - Retire la bolsa de los filtros. Vuelva a conectar los filtros en la unidad.
 - Inserte el filtro True HEPA en primer lugar y después el filtro de carbono.
 - Primero inserte las pestañas inferiores del panel del filtro por completo y, a continuación, inserte la pestaña superior hasta que oiga un clic.
 - Enchufe el cable eléctrico en la toma de corriente de la pared.
 - Encienda la unidad. La unidad emitirá un pitido.
- Durante aproximadamente los primeros 4 minutos después de encender la unidad, los indicadores parpadearán mientras la unidad mide la calidad del aire.

CAMBIO DEL FILTRO:

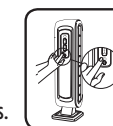
Los indicadores de cambio del filtro señalan cuándo cambiar el filtro True HEPA y/o el filtro de carbono. El período para realizar el cambio variará según las horas de uso y la calidad del aire. Sin embargo, en condiciones normales de uso, la mayoría de los filtros True HEPA se cambian una vez por año y los filtros de carbono, cada tres meses.

No limpie y vuelva a utilizar los filtros True HEPA o de carbono: no funcionarán de manera eficiente. Utilice solo los filtros de repuesto AeraMax™ de la marca Fellowes.

ADVERTENCIA: antes de cambiar cualquier filtro, asegúrese de desconectar el enchufe de la toma de pared.

RESTABLECIMIENTO DEL INDICADOR DEL FILTRO:

- Asegúrese de que el panel trasero esté colocado en su sitio.
- Encienda la unidad.
- Ubique el icono de cambio del filtro en el panel de visualización.
- Mantenga pulsado el icono de cambio del filtro durante 3 segundos. El icono del filtro HEPA parpadeará en ámbar. Pulse el icono de filtro para alternar entre el filtro HEPA y el de carbono.
- Cuando se ilumine el filtro deseado, manténgalo pulsado durante 3 segundos. Se escuchará un sonido corto y la luz debería apagarse. Repita el proceso para cada filtro según sea necesario.



CUIDADO Y MANTENIMIENTO

LIMPIEZA:

Limpie la unidad cuando sea necesario con un trapo seco y suave; para las manchas persistentes, utilice un trapo húmedo y tibio. No utilice líquidos volátiles como el benceno, diluyente para pintura o limpiadores en polvo, ya que podrían dañar la superficie de la unidad. Mantenga la unidad seca.

RESOLUCIÓN DE PROBLEMAS: Soluciones a problemas comunes

Revise esta lista antes de llamar al servicio técnico. Esta lista cubre los problemas que no son consecuencia de materiales o mano de obra defectuosos.

PROBLEMA:	SOLUCIÓN POSIBLE:
La unidad deja humo y olores en el aire.	Asegúrese de que el sensor no esté bloqueado u obstruido. Mueva la unidad más cerca de los olores desagradables. Cambie los filtros según sea necesario.
La unidad parece producir olores.	Cambie los filtros según sea necesario.
La unidad emite un ligero sonido repetitivo.	Esto indica que la función PlasmaTRUE™ está funcionando.
La unidad interfiere con la recepción de radio o televisión.	Debido a que esta unidad irradia energía de radiofrecuencia, le sugerimos que intente una vez más hacer lo siguiente: <ul style="list-style-type: none"> Para una mejor recepción, ajuste la antena de televisión o radio. Aleje la unidad del televisor o la radio afectados. Conecte el cable de alimentación de la unidad a una toma de corriente donde no estén enchufados el televisor ni la radio.
Los indicadores del filtro True HEPA o de carbono permanecen encendidos después de reemplazar los filtros.	Repita los pasos de restablecimiento de la luz del filtro incluidos en las instrucciones a partir de la sección Instalación y funcionamiento.
El icono PlasmaTRUE™ no se ilumina.	Mantenga pulsado el icono PlasmaTRUE™ durante cinco segundos hasta que la unidad emita un pitido.
Se restableció la luz de cambio del filtro incorrecto	En caso de realizar un restablecimiento involuntario del filtro, repita el proceso de restablecimiento del filtro descrito en la sección Instalación y funcionamiento durante los cinco minutos posteriores al restablecimiento involuntario. El indicador y el contador del filtro volverán al estado anterior al restablecimiento.

DEUTSCH

AeraMax™ DX5

Vielen Dank, dass Sie einen Fellowes® AeraMax™ Luftreiniger gekauft haben. Bitte lesen Sie dieses Handbuch vor dem Gebrauch aufmerksam durch.

PACKUNGSGEHALT

- Fellowes® AeraMax™ Luftreiniger
- True HEPA Filter mit antimikrobieller AeraSafe™ Behandlung (1 Filter)
- Kohlefilter (1 Filter)
- Bedienungsanleitung

TECHNISCHE DATEN DES LUFTREINIGERS

AeraMax™ DX5 Luftreiniger	
Gedeckter Flächenbereich	8 m²
Stromversorgung	AC 220-240 V/50 Hz
Leistung	Niedrig 49 W, hoch 68 W
Gebälageschwindigkeit	3 Geschwindigkeiten
Anzeige	Touchscreen
Steuerung	Autom./Manuell/Aera+™
Luftqualitätssensor	Ja
Filter	1 True HEPA Filter mit antimikrobieller AeraSafe™ Behandlung 1 Kohlefilter
Reinigungssystem	Kohlefilter/True HEPA Filter mit antimikrobieller AeraSafe™ Behandlung/PlasmaTRUE™
CADR	53 Rauch/51 Staub/58 Pollen
Farbe	Weiß
Filter-Spezifikationen	
True HEPA Filter-Austausch	9287001
Kohlefilter-Austausch	9324001

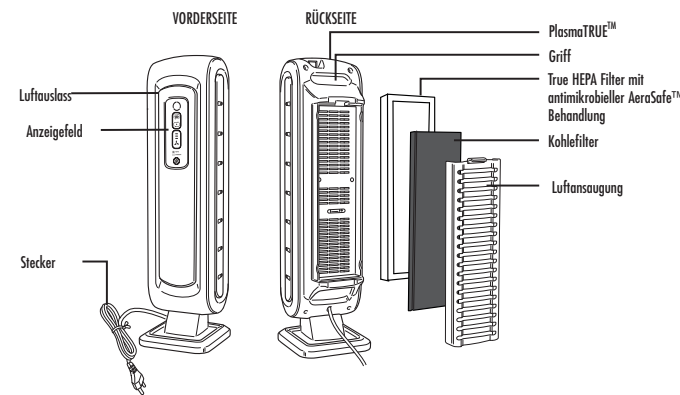
Ersatzfilter erhalten Sie unter www.fellowes.com

FUNKTIONEN DES LUFTREINIGERS

- ULTRARUHIGER BETRIEB:** Dieser Fellowes AeraMax™ Luftreiniger besitzt ein dreistufiges Gebläse mit ultraruhigem Betrieb, das sich ideal für eine ganzzügige Nutzung eignet.
- EINFACHE WARTUNG:** Tauschen Sie für optimale Leistung den True HEPA Filter aus, wenn die Lebensdaueranzeige des HEPA Filters den roten Bereich erreicht hat, oder alle zwölf Monate. Wechseln Sie den Kohlefilter, wenn die Lebensdaueranzeige des Kohlefilters den roten Bereich erreicht hat, oder ca. alle drei Monate.
- AeraSmart™ SENSOR:** Dieser Luftreiniger besitzt einen Luftreinheitssensor, der die Gebläseschwindigkeit automatisch anpasst, um die Luft rein zu halten. Blaue, bernsteinfarbene und rote Lampen zeigen die Reinheit der Luft an.

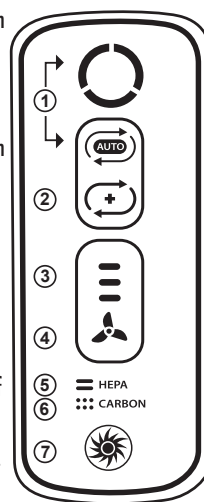
VIERTSTUFIGES LUFTREINIGUNGSSYSTEM

- KOHLEFILTER:** Entfernt Gerüche und fängt große, in der Luft schwebende Partikel ein.
- TRUE HEPA FILTER:** Fängt 99,97 % der Partikel bis zu 0,3 Mikron auf, inklusive Beifußblättriges Traubenkraut und andere Allergene, Viren, Bakterien, Staubmilben, Schimmelsporen, Haustierschuppen und Zigarettenrauch.
- ANTIMIKROBIELLE AeraSafe™ BEHANDLUNG:** Integrierter Schutz vor dem Wachstum geruchsverursachender Bakterien, Schimmel und Pilzen auf dem True HEPA Filter.
- PlasmaTRUE™ TECHNOLOGIE:** Beim letzten Schritt der Luftreinigung baut Fellowes® PlasmaTRUE™ Technologie ein ionisiertes Feld auf, um Luftschadstoffe sicher zu entfernen.



BEDIENUNGSFELD/FUNKTIONEN

- AeraSmart™ SENSOR:** Prüft die Luftreinheit und passt die Gebläseschwindigkeit automatisch an, um Ihre Luft rein zu halten. Das Gerät ist so eingestellt, dass es beim ersten Einschalten auf Automatikbetrieb schaltet. Bei manuellem Betrieb können Sie jederzeit auf Automatikbetrieb umstellen, indem Sie auf das Automatiksymbol drücken.
- Aera+™ MODUS:** Für die Hochallergiesaison entworfen. Erhöht die Luftumsatzrate um 35 % im Vergleich zum niedrigen Gebläsemodus, um noch mehr Allergene aus der Luft zu entfernen. Wechseln Sie in den Aera+™-Modus, indem Sie auf das Symbol (Auto) drücken. Sie schalten auf automatischen Betrieb um, indem Sie noch einmal auf das Symbol (Auto) drücken.
- GEBLÄSEGESCHWINDIGKEITSANZEIGE:** Zeigt die derzeitige Gebläseschwindigkeitseinstellung an, d. h. niedrig, mittel oder hoch.
- MANUELLES ANPASSEN DER GEBLÄSEGESCHWINDIGKEIT** – Drücken Sie auf das Gebläsesymbol, um die Gebläseschwindigkeit manuell auszuwählen.
- ANZEIGE „TRUE HEPA FILTER AUSTAUSCHEN“** – Bernsteinfarbene und rote Lampen zeigen an, wann der Filter ausgetauscht werden muss. Leuchtet die Lampe rot auf, muss der Filter gewechselt werden. (Es wird empfohlen, den Filter unter normalen Betriebsbedingungen alle zwölf Monate zu wechseln.)
- ANZEIGE „KOHLEFILTER AUSTAUSCHEN“** – Bernsteinfarbene und rote Lampen zeigen an, wann der Filter ausgetauscht werden muss. Leuchtet die Lampe rot auf, muss der Filter gewechselt werden. (Es wird empfohlen, den Filter unter normalen Betriebsbedingungen alle drei Monate zu wechseln.)
- PlasmaTRUE™ TECHNOLOGIE** – Baut ein ionisiertes Feld auf, um Luftschadstoffe sicher zu entfernen.



AeraSmart™ SENSOR

Luftreinheitsanzeiger zeigt die Reinheit der Luft an.

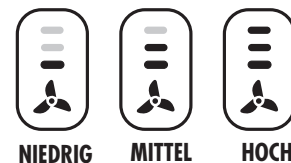


Die Stufe Blau zeigt an, dass die Luft sauber ist.

Bernstein bedeutet, dass die Luftreinheit schlecht ist.

Die Stufe Rot zeigt ein hohes Niveau an Luftverunreinigungen an.

EINSTELLUNGEN DER GEBLÄSEGESCHWINDIGKEIT

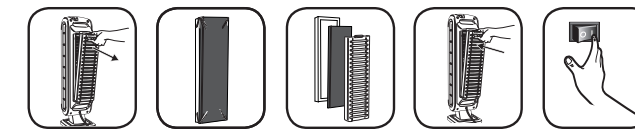


SICHERHEITSHINWEISE/WARNHINWEIS

ACHTUNG: Befolgen Sie die Anleitungen in diesem Handbuch, um das Risiko von Elektroschock, Kurzschluss und/oder Brand zu senken:

- Das Gerät nicht reparieren und keine Änderungen daran vornehmen, es sei denn, es wird in diesem Handbuch speziell empfohlen. Alle Reparaturarbeiten müssen von einem qualifizierten Techniker durchgeführt werden.
- Den Stecker nicht in eine Steckdose forcieren.
- Der Stecker darf nicht verändert werden. Falls der Stecker nicht in die Steckdose passt, den Stecker umdrehen. Falls er noch immer nicht passt, muss ein qualifizierter Techniker eine geeignete Steckdose installieren.
- Nicht benutzen, falls Netzkabel oder Stecker beschädigt sind oder die Verbindung zur Wandsteckdose lose ist.
- Nur für 220-240 V AC.
- Das Netzkabel nicht beschädigen, knicken, vorsätzlich verbiegen, auseinander ziehen, verdrehen, bündeln, beschichten oder zwickeln und keine schweren Objekte darauf stellen.
- Von Zeit zu Zeit Staub vom Stecker entfernen. Dadurch besteht weniger Möglichkeit, dass sich Feuchtigkeit ansammelt, was die Stromschlaggefahr erhöht.
- Wenn die Netzanschlussleitung dieses Gerätes beschädigt wird, muss sie durch den Hersteller oder seinen Kundendienst oder eine ähnlich qualifizierte Person ersetzt werden, um Gefährdungen zu vermeiden.
- Vor dem Reinigen des Geräts den Stecker aus der Steckdose ziehen. Den Stecker nicht am Kabel aus der Steckdose ziehen.
- Den Stecker aus der Steckdose ziehen, wenn das Gerät nicht in Betrieb ist.
- Den Stecker nicht mit nassen Händen anfassen.
- Das Gerät nicht betreiben, wenn in geschlossenen Räumen raucherzeugende Insektenvernichtungsmittel benutzt werden.
- Das Gerät nicht mit Benzol oder Farbverdünner reinigen. Kein Insektenvernichtungsmittel auf das Gerät sprühen.
- Das Gerät nicht in feuchter Umgebung oder an einem Ort benutzen (z. B. Badezimmer), wo es nass werden kann.
- Weder Finger noch Fremdkörper in die Luftansaug- oder Auslassöffnung stecken.
- Das Gerät nicht in der Nähe von brennbaren Gasen benutzen. Nicht in der Nähe von Zigaretten, Räucherstäbchen oder anderen Funken erzeugenden Gegenständen benutzen.
- Das Gerät entfernt kein Kohlenmonoxid, das aus Heizgeräten oder anderen Quellen austritt.
- Die Luftansaug- oder Auslassöffnungen nicht blockieren.
- Nicht in der Nähe heißer Objekte (z. B. Ofen) verwenden. Das Gerät nicht an Orten verwenden, wo es mit Dampf in Kontakt kommen kann.
- Das Gerät nicht verwenden, wenn es auf der Seite liegt.
- Das Gerät von Produkten fernhalten, die ölige Rückstände produzieren (z. B. Fritteuse).
- Zum Reinigen des Geräts kein Waschmittel verwenden.
- Nicht ohne Filter betreiben.
- Den True HEPA Filter nicht waschen und erneut verwenden.
- Stromkabel nicht unter Teppichen verlegen oder mit Läufern abdecken.
- Das Gerät immer mit dem Griff hochheben, um es zu bewegen.
- Dieses Gerät ist nicht dafür bestimmt, durch Personen (einschließlich Kinder) mit eingeschränkten physischen, sensorischen oder geistigen Fähigkeiten oder mangels Erfahrung und/oder mangels Wissen benutzt zu werden, es sei denn, sie werden durch eine für ihre Sicherheit zuständige Person beaufsichtigt oder erhalten von ihr Anweisungen, wie das Gerät zu benutzen ist.
- Dieses Gerät darf nur von Kindern über 8 Jahren und Personen mit reduzierten körperlichen, sensorischen oder geistigen Fähigkeiten oder ohne Erfahrung und Kenntnisse eingesetzt werden, wenn sie beaufsichtigt werden oder über den sicheren Einsatz des Geräts unterrichtet wurden und die damit verbundenen Gefahren verstehen. Kinder dürfen mit diesem Gerät nicht spielen. Die Reinigung und Wartung durch den Benutzer darf nicht von unbeaufsichtigten Kindern vorgenommen werden.

EINRICHTUNG UND BETRIEB



HINWEIS: Für beste Ergebnisse die folgenden Anweisungen befolgen.

Gerät mindestens 50 cm von der Wand entfernt aufstellen. Das Gerät von zugigen Bereichen fern halten. Das Gerät nicht in der Nähe von Vorhängen aufstellen, da diese den Luftansaug- oder -auslassvorgang beeinträchtigen können. Das Gerät auf einer stabilen Fläche mit reichlich Luftzirkulation aufstellen.

- Den Schutzfilm vom Bedienfeld entfernen.
- Lasche drücken und Rückseite abnehmen.
- Beutel von den Filtern entfernen. Filter wieder in das Gerät einsetzen.
- Erst True HEPA Filter und dann Kohlefilter einsetzen.
- Zuerst unteren Teil des Filters einsetzen und anschließend den oberen Teil, bis es klickt.
- Den Stecker an einer Steckdose anschließen.
- Gerät anschalten. Gerät wird piepen.

In den ersten vier Minuten nach Einschalten des Geräts blinken die Anzeigen, während das Gerät die Luftreinheit misst.

PFLEGE UND WARTUNG

REINIGUNG:

Das Gerät nach Bedarf reinigen. Dazu mit einem trockenen, weichen Tuch abwischen. Bei hartnäckigen Flecken ein warmes, feuchtes Tuch benutzen. Keine flüchtigen Flüssigkeiten wie Benzol oder Farbverdünner und kein Scheuerpulver verwenden, da diese die Oberfläche des Geräts beschädigen können. Das Gerät trocken halten.

FEHLERDIAGNOSE UND -BEHEBUNG: Lösung von allgemeinen Problemen

Vor einem Anruf in der Serviceabteilung folgende Liste durchgehen. Hier werden Probleme angesprochen, die nicht auf Material- und Fertigungsfehlern beruhen.

PROBLEM:	MÖGLICHE LÖSUNG:
Das Gerät hinterlässt Rauch und Geruch in der Luft.	Sicherstellen, dass der Sensor nicht blockiert oder verstopft ist. Das Gerät näher bei den störenden Gerüchen aufstellen. Filter nach Bedarf austauschen.
Das Gerät scheint Gerüche zu produzieren.	Filter nach Bedarf austauschen.
Das Gerät macht ein schwaches, tickendes Geräusch.	Dadurch wird angezeigt, dass die PlasmaTRUE™ Funktion aktiviert ist.
Das Gerät verursacht Störungen im Funkverkehr oder Fernsehempfang.	Da dieses Gerät Funkfrequenz-Energie ausstrahlt, schlagen wir vor, eine oder mehrere der folgenden Möglichkeiten auszuprobieren: <ul style="list-style-type: none"> Die Rundfunk-/Fernsehantenne einstellen, um den Empfang zu verbessern. Das Gerät vom betreffenden Rundfunk-/Fernsehgerät entfernt aufstellen. Das Netzkabel des Geräts an einer Steckdose anschließen, an der weder ein Rundfunk- noch ein Fernsehgerät angeschlossen ist.
Die True HEPA- und Kohlefilteranzeigen bleiben aktiviert, nachdem der True HEPA- und/oder Kohlefilter ausgetauscht wurde.	Die Anleitungen zum Zurücksetzen der Filterlampen aus dem Abschnitt Einrichtung und Betrieb wiederholen.
Das Symbol PlasmaTRUE™ leuchtet nicht auf.	Das Symbol PlasmaTRUE™ berühren und für fünf Sekunden gedrückt halten, bis Gerät piept.
Die falsche Filteraustauschlampe wurde zurückgesetzt.	Bei unerwünschtem Filterzurücksetzen das Verfahren zum Filterzurücksetzen aus dem Abschnitt „Einrichten und Betrieb“ innerhalb von 5 Minuten nach unerwünschtem Zurücksetzen wiederholen. Die Filteranzeige wird auf den Status vor dem Zurücksetzen eingestellt.

ITALIANO

AeraMax™ DX5

Grazie per avere acquistato un depuratore d'aria® AeraMax™. Leggere attentamente questo manuale prima dell'uso.

CONTENUTO DELLA CONFEZIONE

- Depuratore d'aria Fellowes® AeraMax™
- Filtro a carbone (1 filtro)
- Filtro True HEPA con trattamento antimicrobico AeraSafe™ (1 filtro)
- Manuale d'uso

CARATTERISTICHE TECNICHE DEL DEPURATORE D'ARIA

Depuratore d'aria AeraMax™ DX5	
Area della stanza	8 m²
Alimentazione elettrica	220-240 V / 50 Hz
Potenza nominale	Min 49 W, max 68 W
Velocità ventola	3 velocità
Display	Schermo tattile
Regolazione	Automatica/Manuale/Aera+™
Sensore qualità aria	Sì
Filtri	1 filtro True HEPA con trattamento antimicrobico AeraSafe™ 1 filtro a carbone
Sistema di pulizia	Filtro a carbone/filtro True HEPA con trattamento antimicrobico AeraSafe™/tecnologia PlasmaTRUE™
Tasso di produzione di aria pulita (CADR)	53 fumo/ 51 polvere/ 58 polline
Colore	Bianco
Caratteristiche tecniche del filtro	
Sostituzione del filtro True HEPA	9287001
Sostituzione del filtro a carbone	9324001

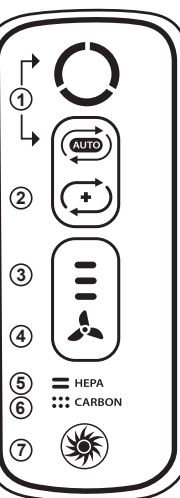
Per i filtri di ricambio visitare: www.fellowes.com

CARATTERISTICHE DEL DEPURATORE D'ARIA

- **FUNZIONAMENTO SILENZIOSO** - Il depuratore d'aria Fellowes AeraMax™ Air Purifier è dotato di una ventola a tre velocità silenziosa, ideale per l'uso nell'arco delle 24 ore.
- **MANUTENZIONE FACILE** - Per ottenere risultati ottimali, sostituire il filtro True HEPA quando la spia corrispondente si accende in rosso oppure ogni 12 mesi in condizioni di uso normale. Sostituire il filtro a carbone quando la spia corrispondente si accende in rosso oppure ogni tre mesi.
- **SENSORE AeraSmart™** - Questo depuratore d'aria è dotato di un sensore della qualità dell'aria che regola automaticamente la velocità della ventola per mantenere l'aria esente da impurità. Le spie di colore blu, ambra e rosso indicano la qualità dell'aria.

PANNELLO CON DISPLAY/FUNZIONI

1. **SENSORE AeraSmart™** - Monitora la qualità dell'aria e regola automaticamente la velocità della ventola per mantenere l'aria esente da impurità. Quando viene acceso la prima volta, l'apparecchio va nella modalità di funzionamento automatico. Se l'apparecchio è nella modalità di funzionamento manuale, si può ritornare in qualsiasi momento alla modalità di funzionamento automatico premendo l'icona AUTO.
2. **MODALITÀ Aera+™** - Concepita per la stagione in cui la concentrazione di pollini raggiunge il picco. Aumenta il tasso di ricambio dell'aria del 35% rispetto alla modalità di bassa velocità della ventola per rimuovere ancora più allergeni dall'aria. Selezionare la modalità Aera+™ premendo l'icona (+). Per ritornare alla modalità di funzionamento automatico, premere di nuovo l'icona (+).
3. **INDICATORE DELLA VELOCITÀ DELLA VENTOLA** - Le velocità possibili sono tre: bassa, media e alta.
4. **REGOLAZIONE MANUALE DELLA VELOCITÀ DELLA VENTOLA** - Toccare l'icona della ventola per selezionarne manualmente la velocità.
5. **SPIA DEL FILTRO TRUE HEPA** - Le spie color ambra e rosso indicano quando occorre sostituire il filtro. La spia si accende in rosso per segnalare che occorre sostituire il filtro (si consiglia di sostituirlo ogni 12 mesi in condizioni di uso normale).
6. **SPIA DEL FILTRO A CARBONE** - Le spie color ambra e rosso indicano quando occorre sostituire il filtro. La spia si accende in rosso per segnalare che occorre sostituire il filtro (si consiglia di sostituirlo ogni tre mesi in condizioni di uso normale).
7. **TECNOLOGIA PlasmaTRUE™** - Crea un campo ionizzato che contribuisce a rimuovere in sicurezza gli inquinanti a livello molecolare.



SENSORE AeraSmart™
Spie della qualità dell'aria.

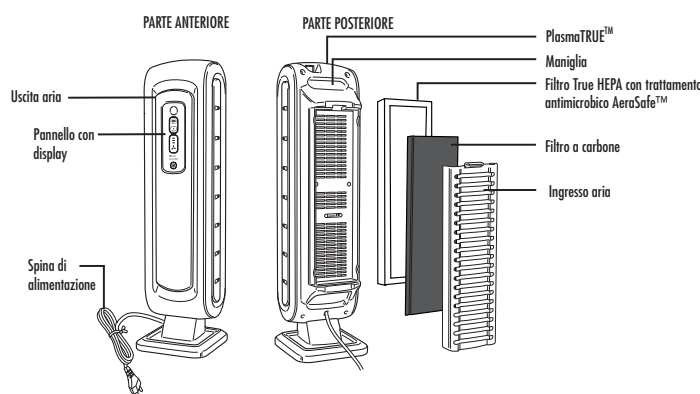
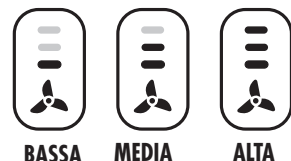


Il livello blu indica che la qualità dell'aria è buona.

Il livello ambra indica che la qualità dell'aria è scadente.

Il livello rosso indica un alto livello di inquinanti nell'aria.

IMPOSTAZIONI DELLA VELOCITÀ DELLA VENTOLA



SISTEMA DI DEPURAZIONE A QUATTRO STADI

- **FILTRO A CARBONE** - Elimina gli odori e cattura le particelle inquinanti più grandi.
- **FILTRO TRUE HEPA** - Cattura il 99,97% delle particelle, fino a 0,3 micron, comprese le spore della muffa, polline, acari della polvere, forfora degli animali domestici, la maggior parte dei microbi presenti nell'aria, allergeni e fumo del tabacco.
- **TRATTAMENTO ANTIMICROBICO AeraSafe™** - Protezione incorporata sul filtro True HEPA contro la crescita di funghi, muffa e batteri causa di odori.
- **TECNOLOGIA PlasmaTRUE™** - Nello stadio finale di depurazione, la tecnologia Fellowes® PlasmaTRUE™ crea un campo ionizzato che contribuisce a rimuovere in sicurezza gli inquinanti a livello molecolare.

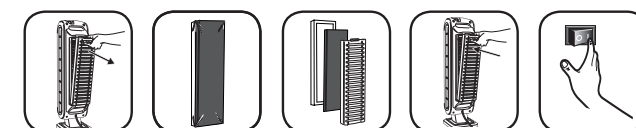
ISTRUZIONI PER LA SICUREZZA/AVVERTENZA

AVVERTENZA Seguire scrupolosamente le istruzioni di questo manuale per ridurre il rischio di folgorazione, cortocircuito e incendio:

- Non riparare né modificare l'apparecchio se non specificamente consigliato in questo manuale. Tutte le riparazioni devono essere eseguite da un tecnico qualificato.
- Non forzare la spina in una presa di corrente.
- Non modificare la spina in nessun modo. Se la spina non entra nella presa di corrente, girarla di 180 gradi. Se ancora la spina non si adatta, rivolgersi a un elettricista qualificato per fare installare una presa di corrente adatta.
- Non usare l'apparecchio se il cavo di alimentazione o la spina presenta danni o se la connessione con la presa di corrente è lenta.
- Usare solo una presa di corrente a 220-240 V.
- Non danneggiare, spezzare, piegare con forza, tirare con forza eccessiva, torcere, legare in un fascio, verniciare o schiacciare il cordone di alimentazione né collocare oggetti pesanti sopra di esso.
- Spolverare periodicamente la spina di alimentazione. Si riduce così il rischio di accumulazione dell'umidità e quindi il rischio di folgorazione.
- Se il cavo di alimentazione è danneggiato, deve essere sostituito dal produttore, da un suo rappresentante o da una persona con qualifiche analoghe, per prevenire rischi.
- Rimuovere la spina di alimentazione dalla presa di corrente prima di pulire l'apparecchio. Quando si rimuove la spina di alimentazione, afferrare la spina stessa, mai il cavo.
- Rimuovere la spina di alimentazione dalla presa di corrente mentre l'apparecchio non è in uso.
- Non maneggiare la spina di alimentazione con le mani umide.
- Non fare funzionare l'apparecchio quando si usano insetticidi per locali chiusi che generano fumo.
- Non pulire l'apparecchio con benzene o con un solvente. Non spruzzare insetticidi sull'apparecchio.
- Non usare l'apparecchio in luoghi umidi o dove può diventare umido, ad esempio in una stanza da bagno.

- Non introdurre le dita o oggetti estranei nella presa dell'aria o nella bocchetta di uscita dell'aria.
- Non usare l'apparecchio vicino a gas infiammabili. Non usare l'apparecchio vicino a sigarette, incenso o altri oggetti o sostanze che possono creare scintille.
- L'apparecchio non elimina l'ossido di carbonio emesso da apparecchi di riscaldamento o altre fonti di calore.
- Non ostruire né la presa d'aria né la bocchetta di uscita dell'aria.
- Non usare l'apparecchio presso oggetti caldi, come un fornello. Non usare l'apparecchio in un luogo in cui possa venire a contatto di vapore.
- Non usare l'apparecchio poggiandolo su uno dei lati.
- Tenere l'apparecchio lontano da prodotti che generano residui di olio, come friggitrici.
- Non utilizzare detergenti per pulire l'apparecchio.
- Non fare funzionare l'apparecchio senza un filtro.
- Non lavare né riutilizzare il filtro True HEPA.
- Non posare il cavo di alimentazione sotto moquette né coprirlo con un tappeto.
- Quando si sposta l'apparecchio, sollevarlo sempre per la maniglia.
- Questo apparecchio non è concepito per l'uso da parte di persone (inclusi bambini) con capacità sensoriali o mentali ridotte o che manchino di esperienza o cognizioni adeguate, a meno che non siano sotto vigilanza o abbiano ricevuto istruzioni concernenti l'uso dell'apparecchio da parte di persone responsabili della loro sicurezza.
- Questo apparecchio può essere utilizzato da bambini di età uguale o superiore agli 8 anni e da persone con ridotte capacità fisiche, sensoriali o mentali oppure con mancanza di esperienza e competenza solo se sotto supervisione o se informati sull'uso dell'apparecchio in condizioni di sicurezza e se comprendono gli eventuali rischi. I bambini non devono giocare con l'apparecchio. Le operazioni di pulizia e manutenzione non devono essere effettuate da bambini in assenza di supervisione.

APPONTAMENTO E FUNZIONAMENTO



NOTA - Seguire queste istruzioni per ottenere risultati ottimali.

Collocare l'apparecchio ad almeno ½ metro di distanza dalla parete. Tenere l'apparecchio lontano da correnti d'aria. Tenere l'apparecchio lontano da tende, poiché queste possono interferire con la presa d'aria o con la bocchetta di uscita dell'aria. Collocare l'apparecchio su una superficie stabile, con buona circolazione dell'aria.

1. Rimuovere la pellicola protettiva dal pannello di controllo.
 2. Comprimerne la linguetta ed estrarre il pannello posteriore.
 3. Rimuovere il sacchetto portascarti dai filtri. Riposizionare i filtri nell'apparecchio.
 4. Inserire prima il filtro True HEPA e quindi il filtro a carbone.
 5. Inserire completamente prima le linguette inferiori del pannello del filtro, quindi inserire la linguetta superiore finché non si blocca con uno scatto.
 6. Collegare il cavo di alimentazione a una presa di corrente.
 7. Accendere l'apparecchio. L'apparecchio emette un segnale acustico.
- Per i primi quattro minuti circa dopo che si è acceso l'apparecchio, le spie lampeggiano mentre l'apparecchio misura la qualità dell'aria.

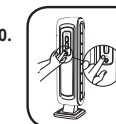
SOSTITUZIONE DEI FILTRI

Le apposite spie segnalano quando occorre sostituire il filtro True HEPA e/o il filtro a carbone. L'intervallo di sostituzione dipende dal numero di ore di funzionamento e dalla qualità dell'aria. Tuttavia, in condizioni di uso normale la maggior parte dei filtri True HEPA richiede la sostituzione ogni anno, mentre i filtri a carbone vanno sostituiti ogni tre mesi. Non lavare e non riutilizzare né il filtro True HEPA né il filtro a carbone; non funzionerebbero efficacemente. Usare solo filtri di ricambio Fellowes AeraMax™.

AVVERTENZA Prima di sostituire un filtro qualsiasi, scollegare la spina di alimentazione dalla presa di corrente.

RIPRISTINO DELLA SPIA DEL FILTRO

1. Accertarsi che il pannello posteriore sia stato riposizionato con uno scatto.
2. Accendere l'apparecchio.
3. Individuare l'icona di ricambio del filtro sul pannello con display.
4. Tenere premuta l'icona di ricambio del filtro per 3 secondi. L'icona del filtro HEPA lampeggia in ambra. Toccare l'area dell'icona del filtro per selezionare alternativamente il filtro HEPA o quello a carbone.
5. Quando la spia del filtro desiderato si illumina, tenerla premuta per 3 secondi. Viene emesso un breve segnale acustico e la spia si spegne. Ripetere la procedura per ciascun filtro come necessario.



CURA E MANUTENZIONE

PULIZIA

Pulire l'apparecchio come necessario passandovi sopra un panno asciutto e morbido; per macchie resistenti, usare un panno inumidito con acqua tiepida. Non utilizzare fluidi volatili come benzene, solventi o polveri lucidanti, poiché si può danneggiare la superficie dell'apparecchio. Mantenere l'apparecchio asciutto.

RISOLUZIONE DEI PROBLEMI Soluzioni dei problemi più frequenti

Prima di richiedere assistenza, consultare la tabella che segue, elencante i problemi non derivanti da difetti di materiali o lavorazione.

PROBLEMA	SOLUZIONE POSSIBILE
L'apparecchio emette fumo e odori.	Accertarsi che il sensore non sia ostruito o intasato. Avvicinare l'apparecchio agli odori sgradevoli. Sostituire i filtri come necessario.
Sembra che l'apparecchio produca odori.	Sostituire i filtri come necessario.
L'apparecchio emette un fiavole ticchettio.	Questo suono indica che il sistema PlasmaTRUE™ è in funzione.
L'apparecchio interferisce con la ricezione dei segnali radio o televisivi.	Poiché l'apparecchio irradia energia a radiofrequenza, si consiglia uno o più dei seguenti interventi: <ul style="list-style-type: none"> - Per migliorare la ricezione, riorientare l'antenna radio/televisiva. - Allontanare l'apparecchio dal televisore o dalla radio interessata. - Collegare l'apparecchio a una presa di corrente inserita in un circuito diverso da quello del televisore o della radio.
Le spie del filtro True HEPA e del filtro a carbone rimangono accese dopo che si è sostituito il filtro HEPA e/o il filtro a carbone.	Rieseguire le istruzioni per il ripristino delle spie dei filtri indicate nella sezione Approntamento e funzionamento.
L'icona PlasmaTRUE™ non è illuminata.	Tenere premuta l'icona PlasmaTRUE™ per 5 secondi, finché l'apparecchio non emette un segnale acustico.
È stata ripristinata la spia di sostituzione del filtro sbagliato.	Nel caso si sia ripristinata la spia del filtro sbagliato, ripetere la procedura di ripristino indicata nella sezione Approntamento e funzionamento entro 5 minuti dal ripristino involontario. La spia e il contatore del filtro ritornano allo stato precedente il ripristino.

NEDERLANDS

AeraMax™ DX5

Hartelijk dank voor uw aankoop van een Fellowes® AeraMax™ luchtzuiveringsinstallatie. Vóór gebruik moet deze handleiding zorgvuldig worden gelezen.

INHOUD VAN DE VERPAKKING:

- Fellowes® AeraMax™ Luchtzuiveringsinstallatie
- True HEPA-filter met AeraSafe™ antimicrobiële behandeling (1 filter)
- Koolstoffilter (1 filter)
- Gebruikershandleiding

SPECIFICATIES VAN DE LUCHTZUIVERINGSINSTALLATIE

AeraMax™ DX5 luchtzuiveringsinstallatie	
Afmeting van kamer/gebied voor gebruik	8 m²
Stroombron	Wisselstroom 220-240 V/50 Hz
Stroomvermogen	Laag 49 W, hoog 68 W
Ventilatorsnelheid	3 snelheden
Display	Touchscreen
Besturingstype	Automatisch/Handmatig/Aera+™
Luchtqualiteitssensor	Ja
Filters	1 True HEPA-filter met AeraSafe™ antimicrobiële behandeling 1 koolstoffilter
Reinigingssysteem	Koolstoffilter/True HEPA-filter met AeraSafe™ antimicrobiële behandeling/ PlasmaTRUE™
CADR	53 Roak/51 Stof/58 Pollen
Kleur	Wit
Filterspecificaties	
True HEPA-filtervervangings	9287001
Koolstoffiltervervangings	9324001

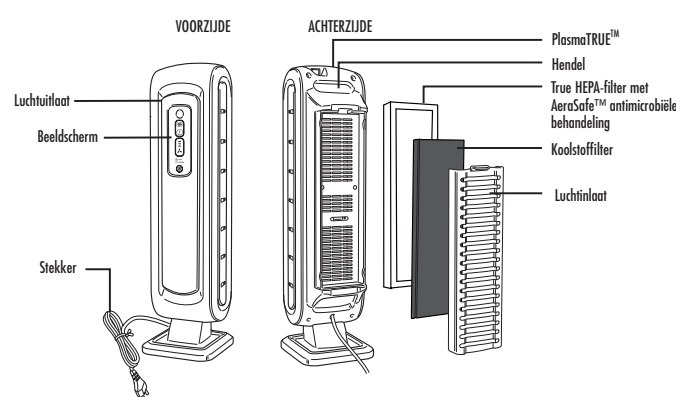
Voor vervangingsfilters bezoekt u: www.fellowes.com

VOORZIENINGEN VAN DE LUCHTZUIVERINGSINSTALLATIE

- ULTRASTILLE WERKING:** Deze Fellowes AeraMax™ luchtzuiveringsinstallatie heeft een ventilator met drie snelheden en ultrasnelle werking die ideaal is voor gebruik 24 uur per dag.
- EENVOUDIG ONDERHOUD:** Vervang voor optimale prestaties het True HEPA-filter wanneer de indicator voor het HEPA-filter rood is geworden of ongeveer elke 12 maanden onder normale gebruiksomstandigheden. Vervang het koolstoffilter als de indicator voor het koolstoffilter rood is geworden of ongeveer elke 3 maanden.
- AeraSmart™-SENSOR:** Deze luchtzuiveringsinstallatie is uitgerust met een luchtqualiteitssensor die automatisch de ventilatorsnelheid aanpast om uw lucht schoon te houden. Blauwe, gele en rode lichtjes geven aan hoe schoon uw lucht is.

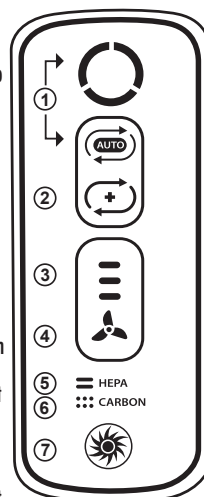
ZUIVERINGSSYSTEEM VAN VIER FASES

- KOOLSTOFFILTER:** Verwijdert geuren en vangt de grotere deeltjes in de lucht.
- TRUE HEPA-FILTER:** Vangt 99,97% van alle deeltjes tot een grootte van 0,3 micron, met inbegrip van pollen en andere allergenen, virussen, microben, huisstofmijt, schimmelsporen, huidschilfers van huisdieren en sigarettenrook.
- AeraSafe™ ANTIMICROBIËLE BEHANDELING:** Ingebouwde bescherming tegen de ontwikkeling van geurtjes veroorzakende bacteriën, meeldauw en schimmels op het True HEPA-filter.
- PlasmaTRUE™-TECHNOLOGIE:** Tijdens de laatste fase van de zuivering creëert de Fellowes® PlasmaTRUE™-technologie een geïoniseerd veld voor het veilig verwijderen van in de lucht aanwezige verontreinigende stoffen.



BEELDSCHERM/FUNCTIES

- AeraSmart™-SENSOR:** Controleert de luchtqualiteit en past automatisch de ventilatorsnelheid aan om uw lucht schoon te houden. Het apparaat is standaard op automatische werking ingesteld wanneer het voor het eerst wordt ingeschakeld. Ga, als de handmatige werking is ingeschakeld, op elk gewenst moment terug naar automatisch door op het AUTO-pictogram te drukken.
- Aera+™-MODUS:** Ontworpen voor gebruik tijdens het zwaarste allergieseizoen. Vergroot de luchtverplaatsing met 35% vergeleken met de lage ventilatorstand om nog meer allergenen uit uw lucht te verwijderen. Schakel over op de Aera+™-modus door op het -pictogram te drukken. U kunt teruggaan naar automatische werking door nogmaals op het -pictogram te drukken.
- VENTILATORSNELHEIDSINDICATOR:** Toont de huidige ventilatorsnelheidsinstelling: laag, gemiddeld of hoog.
- HANDMATIGE AANPASSING VAN VENTILATORSNELHEID** - Tik op het ventilatorpictogram om handmatig de ventilatorsnelheid te selecteren.
- INDICATOR VOOR VERVANGING VAN TRUE HEPA-FILTER** - Het gele en rode lichtje geven aan wanneer het filter moet worden vervangen. Het rode indicatorlichtje signaleert wanneer het filter moet worden vervangen. (Onder normale gebruiksomstandigheden wordt vervanging van het filter om de twaalf maanden aanbevolen.)
- INDICATOR VOOR VERVANGING VAN KOOLSTOFFILTER** - Het gele en rode lichtje geven aan wanneer het filter moet worden vervangen. Het rode indicatorlichtje signaleert wanneer het filter moet worden vervangen. (Onder normale gebruiksomstandigheden wordt vervanging van het filter om de drie maanden aanbevolen.)
- PlasmaTRUE™ TECHNOLOGY** - Creëert een geïoniseerd veld voor het veilig verwijderen van in de lucht aanwezige verontreinigende stoffen.

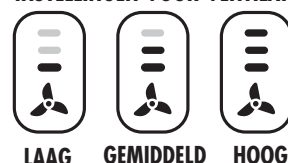


AeraSmart™-SENSOR

Indicator voor luchtqualiteit geeft de kwaliteit van de lucht aan.

- Het blauwe niveau geeft aan dat de lucht schoon is.
- Het gele niveau geeft aan dat de luchtqualiteit slecht is.
- Het rode niveau geeft aan dat zich een hoog niveau van verontreinigende stoffen in de lucht bevindt.

INSTELLINGEN VOOR VENTILATORSNELHEID

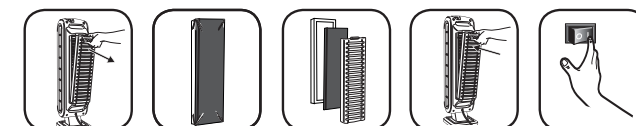


VEILIGHEIDSLINSTRUCTIES/WAARSCHUWING

WAARSCHUWING: Volg de instructies in deze handleiding om het risico op elektrische schok, kortsluiting en/of brand te verlagen:

- Het apparaat niet repareren of wijzigen, tenzij dit specifiek in deze handleiding wordt aanbevolen. Alle reparaties moeten door een bevoegde monteur worden uitgevoerd.
- De stekker niet in een stopcontact forceren.
- De stekker niet op enige wijze veranderen. Als de stekker niet in het stopcontact past, moet hij worden omgekeerd. Als hij nog steeds niet past, neemt u contact op met een bevoegde monteur om een goed stopcontact te laten installeren.
- Niet gebruiken als het netsnoer of de stekker beschadigd is, of de aansluiting naar het stopcontact los is.
- Gebruik uitsluitend 220-240 V wisselstroom.
- Het netsnoer niet beschadigen, breken, geforceerd buigen, eraan trekken, verdraaien, samenbinden, coaten, knippen of er zware voorwerpen op plaatsen.
- Regelmatig het stof van de stekker verwijderen. Dit vermindert de kans dat vochtigheid zich kan verzamelen, wat het risico op elektrische schok vergroot.
- Als het netsnoer beschadigd is, moet dit worden vervangen door de fabrikant, diens servicevertegenwoordiger of vergelijkbare bevoegde personen om gevaren te voorkomen.
- Haal de stekker uit het stopcontact voordat u het apparaat gaat reinigen. Bij het verwijderen moet de stekker worden vastgepakt; verwijder hem nooit door aan het netsnoer te trekken.
- Haal de stekker uit het stopcontact als het apparaat niet in gebruik is.
- De stekker niet met natte handen aanraken.
- Niet met het apparaat werken bij gebruik van insecticiden binnenshuis die rook veroorzaken.
- Het apparaat niet met wasbenzine of verfverdunder reinigen. Geen insecticiden op het apparaat sproeien.
- Het apparaat niet in een vochtige omgeving gebruiken of waar het nat kan worden, zoals in een badkamer.
- Steek geen vingers of vreemde voorwerpen in de luchtinlaat of -uitlaat.
- Het apparaat niet in de nabijheid van ontvlambare gassen gebruiken. Niet gebruiken in de buurt van sigaretten, wierook of andere items die vonken voortbrengen.
- Het apparaat verwijderd geen koolmonoxide die door verwarmingsapparaten of andere bronnen wordt uitgestoten.
- De inlaat- of uitlaatopeningen niet blokkeren.
- Niet gebruiken in de nabijheid van hete voorwerpen, zoals een fornuis. Niet gebruiken waar het apparaat met stoom in contact kan komen.
- Het apparaat niet op de zijkant liggend gebruiken.
- Op afstand houden van producten die een olieachtig residu achterlaten, bijvoorbeeld een frituurpan.
- Geen schoonmaakmiddel gebruiken om het apparaat te reinigen.
- Niet zonder filter gebruiken.
- Het True HEPA-filter niet wassen en opnieuw gebruiken.
- Het netsnoer niet onder tapijten door leiden of bedekken met vloerkleedjes.
- Het apparaat bij het verplaatsen altijd aan de hendel optillen.
- Dit apparaat is niet bedoeld voor gebruik door personen (met inbegrip van kinderen) met verminderde lichamelijke, zintuiglijke of geestelijke capaciteiten of met een gebrek aan kennis en ervaring, tenzij dit gebeurt onder toezicht of na instructie van een persoon die verantwoordelijk is voor hun veiligheid.
- Dit apparaat kan worden gebruikt door kinderen van 8 jaar of ouder en door personen met verminderde lichamelijke, zintuiglijke of geestelijke capaciteiten of met een gebrek aan kennis en ervaring, mits dit gebeurt onder toezicht of na instructie met betrekking tot het veilige gebruik van het apparaat en indien de betrokkenen begrijpen welke risico's hieraan verbonden zijn. Kinderen mogen niet met het apparaat spelen. Reiniging en onderhoud door de gebruiker mag alleen door kinderen worden uitgevoerd als een volwassene hierop toezicht houdt.

OPSTELLING EN WERKING



OPMERKING: Volg deze instructies voor de beste resultaten

Plaats het apparaat op minstens ½ meter van de wand. Houd het apparaat uit de buurt van plekken waar het tacht. Houd het apparaat uit de buurt van gordijnen aangezien deze de luchtinlaat/-uitlaat kunnen verstoren. Plaats het apparaat op een stabiele ondergrond met een goede luchtcirculatie.

- Verwijder de beschermende laag van het bedieningspaneel.
 - Druk het lipje in en trek het achterpaneel naar buiten.
 - Verwijder de zak van de filters. Plaats de filters terug in het apparaat.
 - Plaats eerst het True HEPA-filter en daarna het koolstoffilter.
 - Breng eerst de onderste lipjes van het filterpaneel aan en druk daarna het bovenste lipje naar binnen totdat u een klik hoort.
 - Steek de stekker in een stopcontact.
 - Zet het apparaat aan. Er klinkt een pieptoon.
- Gedurende de eerste 4 minuten na het inschakelen van het apparaat knipperen de indicators terwijl het apparaat de luchtkwaliteit meet.

FILTERVERVANGING:

De filtervervangingsindicatoren signaleren wanneer het True HEPA-filter en/of koolstoffilter moeten worden vervangen. Afhankelijk van het aantal gebruiksuren en de luchtkwaliteit kan de vervangingsperiode variëren. Bij normaal gebruik, echter, moeten de meeste True HEPA-filters om het jaar worden vervangen en koolstoffilters om de drie maanden.

Het True HEPA- of koolstoffilter mag niet worden gewassen en opnieuw gebruikt omdat het dan niet goed meer werkt. Gebruik alleen AeraMax™-vervangingsfilters van Fellowes.

WAARSCHUWING: Haal de stekker uit het stopcontact voordat u filters gaat vervangen.

RESETTEN VAN FILTERINDICATORS:

- Controleer of het achterpaneel op zijn plaats zit.
- Schakel het apparaat in.
- Zoek het filtervervangingspictogram op het beeldscherm.
- Raak het filtervervangingspictogram aan en houd het 3 seconden lang ingedrukt. Het pictogram voor het HEPA-filter knippert geel. Raak het gebied van het filterpictogram aan om af te wisselen tussen HEPA en koolstof.
- Wanneer het pictogram voor het gewenste filter oplicht, raakt u dit aan en houdt u het 3 seconden lang ingedrukt. Er klinkt een korte pieptoon en het lichtje gaat uit. Herhaal dit proces zo nodig voor elk filter.



VERZORGING EN ONDERHOUD

REINIGING:

Reinig het apparaat zoals benodigd door het af te nemen met een droge, zachte doek; voor hardnekkige vlekken gebruikt u een warme, vochtige doek. Gebruik geen vluchtige vloeistoffen zoals benzol, verfverdunder of schuurpoeder, omdat die het oppervlak van het apparaat kunnen beschadigen. Houd het apparaat droog.

PROBLEEM OPLOSSEN: Oplossingen voor veelvoorkomende problemen

Neem deze lijst door voordat u om service verzoekt. Deze lijst vermeldt problemen die niet het gevolg zijn van defecte materialen of afwerking.

PROBLEEM:	MOGELIJKE OPLOSSING:
Het apparaat laat rook en geuren in de lucht achter.	Zorg ervoor dat de sensor niet geblokkeerd of verstopt is. Zet het apparaat dicht bij de irriterende geuren. Vervang de filters zoals noodzakelijk.
Het apparaat schijnt geuren voort te brengen.	Vervang de filters zoals noodzakelijk.
Het apparaat maakt een zacht tikkend geluid.	Dit geeft aan dat de PlasmaTRUE™-functie werkt.
Het apparaat stoort de radio- of televisieontvangst.	Omdat dit apparaat RF-energie (radiofrequentie) uitstraalt, stellen wij voor dat u een of meer van de volgende bewerkingen uitvoert: - Verplaats de televisie-/radio-antenne voor een betere ontvangst. - Zet het apparaat op afstand van de desbetreffende televisie/radio. - Steek de stekker van het apparaat in een ander stopcontact dan dat van het televisie-/radiosnoer.
De indicatoren voor het True HEPA- en koolstoffilter blijven oplichten na vervanging van het True HEPA- en/of koolstoffilter.	Voer de instructies voor het resetten van de filterlichtjes in het gedeelte Opstelling en werking opnieuw uit.
Het PlasmaTRUE™-pictogram licht niet op.	Raak het PlasmaTRUE™-pictogram aan en houd het vijf seconden lang vast totdat het apparaat een pieptoon afgeeft.
Het verkeerde filtervervangingslichtje is gereset.	Wanneer onbedoeld een filter wordt gereset, herhaalt u de procedure voor het resetten van het filter in het gedeelte Opstelling en werking binnen 5 minuten na de onbedoelde reset. De filterteller en -indicator gaan terug naar de status voorafgaand aan de reset.

SVENSKA

AeraMax™ DX5

Tack för att du har köpt en Fellowes® AeraMax™ luftrenare. Läs igenom denna handbok noga före användning.

FÖRPACKNINGENS INNEHÅLL

- Fellowes® AeraMax™ luftrenare
- True HEPA-filter med AeraSafe™ antimikrobisk behandling (1 filter)
- Kolfilter (1 filter)
- Användarhandbok

SPECIFIKATIONER FÖR LUFTRENAREN

AeraMax™ DX5 luftrenare	
Betjänat utrymme	8 m²
Nättaggregat	AC 220-240V/50 Hz
Effekt	Låg 49 W, hög 68 W
Fläkthastighet	3 hastighetslägen
Display	Pekskärm
Kontrolltyp	Auto/Manuell/Aera+™
Luftkvalitetssensor	Ja
Filter	1 True HEPA-filter med AeraSafe™ antimikrobisk behandling 1 kolfilter
Rengöringssystem	Kolfilter/True HEPA-filter med AeraSafe™ antimikrobisk behandling/PlasmaTRUE™
CADR	53 rök/ 51 damm/ 58 pollen
Färg	Vit
Filterspecifikationer	
Byte av True HEPA-filter	9287001
Byte av kolfilter	9324001

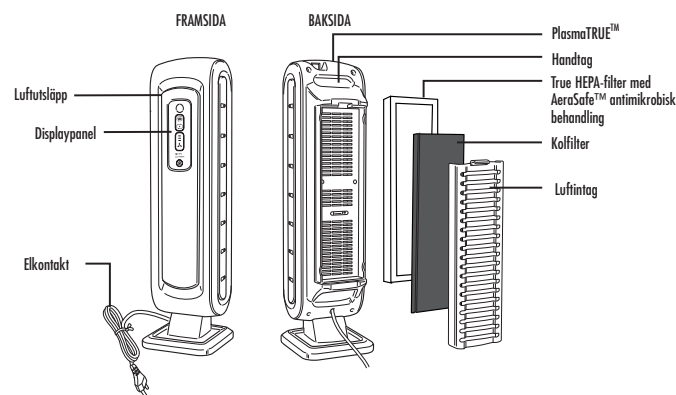
Mer om ersättningsfilter på: www.fellowes.com

LUFTRENARENS FUNKTIONER

- ULTRATYST DRIFT:** Denna Fellowes AeraMax™ luftrenare har en fläkt med tre hastighetslägen och ultratyst drift som passar utmärkt för användning dygnet runt.
- ENKELT UNDERHÅLL:** För optimala prestanda ska True HEPA-filtret bytas ut när HEPA-filterindikatorn har blivit röd, eller ca en gång om året under normala användningsförhållanden. Byt ut kolfiltret när kolfilterindikatorn har blivit röd eller ca var tredje månad.
- AeraSmart™ SENSOR:** Denna luftrenare är utrustad med en luftkvalitetssensor som automatiskt justerar fläktens hastighet för att hålla luften ren. Blå, gula och röda indikatorlampor indikerar hur ren luften är.

SYSTEMET FOUR-STAGE PURIFICATION (4-STEGSRENING)

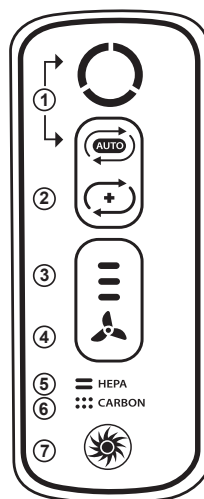
- KOLFILTER:** Avlägsnar lukter och fångar upp stora luftburna partiklar.
- TRUE HEPA-FILTER:** Fångar upp 99,97 % av partiklar i storlek ned till 0,3 mikromillimeter, inklusive ambrosiapollen och andra allergiframkallande partiklar, virus, bakterier, dammpartiklar, mögel, mjäll från husdjur samt cigarettök.
- AeraSafe™ ANTIMIKROBISK BEHANDLING:** Inbyggt skydd mot tillväxt av luftframkallande bakterier, mögel och svamp på True HEPA-filtret.
- PlasmaTRUE™-TEKNIK:** I det slutliga reningsstadiet, skapar Fellowes® PlasmaTRUE™-tekniken ett joniserat fält för att hjälpa till att avlägsna luftburna föroreningar på ett säkert sätt.



- INDIKATORLAMPOR FÖR FILTERBYTE:** Indikerar när True HEPA-filtret och kolfiltret behöver bytas ut, beroende på användning.
- TRE HASTIGHETSLÄGEN:** Från LÅG för tyst, energieffektiv drift till HÖG för den mest effektiva rengöringen.
- Aera+™-LÄGE:** Utformat för förhållanden under högallergisäsonger. Ökar luftomsättningen med 35 % jämfört med det låga hastighetsläget, för att avlägsna ännu fler allergiframkallande partiklar från luften.

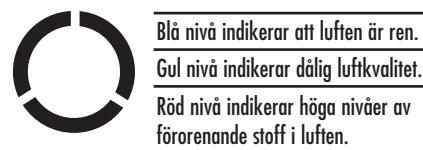
DISPLAYPANEL/FUNKTIONER

- AeraSmart™-SENSOR:** Övervakar luftkvaliteten och justerar fläkthastigheten automatiskt för att hålla luften ren. Apparaten är standardinställd till automatisk drift när den först slås på. Återställ från manuellt läge till automatisk läge när som helst genom att trycka på AUTO-ikonen.
- Aera+™-LÄGE:** Utformat för förhållanden under högallergisäsonger. Ökar luftomsättningen med 35 % jämfört med det låga hastighetsläget, för att avlägsna ännu fler allergiframkallande partiklar från luften. Växla till Aera+™-läget genom att trycka på ikonen (☺). Återgå till automatisk drift genom att trycka på ikonen (☺) en gång till.
- INDIKATORLAMPOR FÖR FLÄKTHASTIGHET:** Visar aktuellt fläkthastighetsläge: låg, medel eller hög hastighet.
- MANUELL JUSTERING AV FLÄKTHASTIGHET** – Tryck på fläktikonen för att välja hastighet manuellt.
- INDIKATORLAMPOR FÖR BYTE AV TRUE HEPA-FILTER** – Gul och röd lampa anger när filtret behöver bytas ut. Den röda indikatorlamporna signalerar när filtret behöver bytas ut. (Vi rekommenderar att filtret byts ut var 12:e månad vid normal användning.)
- INDIKATORLAMPOR FÖR BYTE AV KOLFILTER** – Gul och röd lampa indikerar när filtret behöver bytas ut. Den röda indikatorlamporna signalerar när filtret behöver bytas ut. (Vi rekommenderar att filtret byts ut var 3:e månad vid normal användning.)
- PlasmaTRUE™-TEKNIK** - Skapar ett joniserat fält för att hjälpa till att avlägsna luftburna föroreningar på ett säkert sätt.

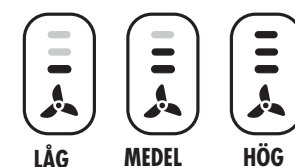


AeraSmart™-SENSOR

Indikatorlampa för luftkvalitet som visar luftkvalitetsnivåer.



FLÄKTHASTIGHETSINSTÄLLNINGAR



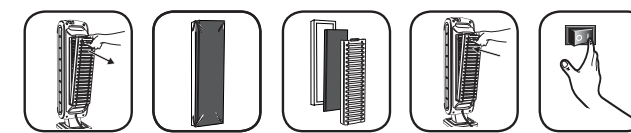
SÄKERHETSINSTRUKTIONER / VARNING

VARNING: Följ instruktionerna i denna handbok för att minska risken för elektriska stötar, kortslutning och/eller eldsvåda:

- Reparera eller modifiera inte apparaten såvida det inte rekommenderas specifikt i denna handbok. Alla reparationer ska utföras av en kvalificerad tekniker.
- Forcera inte i stickkontakten i eluttaget.
- Ändra inte stickkontakten på något sätt. Om stickkontakten inte passar i uttaget, prova att vända på den. Om den fortfarande inte passar, kontakta en behörig tekniker för att installera ett lämpligt uttag.
- Använd inte om elsladden eller stickkontakten är skadad eller om vägguttaget hänger löst.
- Använd endast AC 220-240 V.
- Du får inte skada, bryta, böja med kraft, dra, vrida, bunta ihop, täcka över, klämma ihop eller placera tunga föremål på elsladden.
- Damma av stickkontakten med jämna mellanrum. Detta reducerar risken för ansamling av fukt, som kan öka risken för elektriska stötar.
- Om elkabeln är skadad ska den bytas ut av tillverkaren, serviceombudet eller någon annan behörig person, så att det inte sker några olyckor.
- Dra ut stickkontakten ur eluttaget före rengöring av apparaten. När stickkontakten dras ur ska du gripa tag i själva kontakten, aldrig i sladden.
- Dra ut stickkontakten ur eluttaget när apparaten inte används.
- Hantera inte stickkontakten med våta händer.
- Kör inte apparaten vid användning av rökframkallande insektsmedel inomhus.
- Rengör inte apparaten med bensen eller färgförtunningsmedel. Spruta inte insektsmedel på apparaten.
- Använd inte apparaten i fuktiga utrymmen eller där den kan bli blöt, till exempel i badrum.

- Stick inte i fingrar eller främmande föremål i luftintaget- eller utloppet.
- Använd inte apparaten i närheten av lättantändliga gaser. Använd inte apparaten i närheten av cigaretter, rökelse eller andra gnisttändande artiklar.
- Apparaten avlägsnar inte kolmonoxid som släpps ut från värmesystem eller andra källor.
- Blockera inte till- eller frånluftspöppningar.
- Använd inte i närheten av varma föremål, såsom en ugn. Använd inte på platser där apparaten kan komma i kontakt med ånga.
- Använd inte apparaten stående på sidan.
- Håll apparaten på avstånd från produkter som genererar oljiga restprodukter, till exempel fritöser.
- Använd inte lösningsmedel för att rengöra apparaten.
- Använd inte apparaten utan filter.
- Tvätta inte och återanvänd inte True HEPA-filter.
- Dra inte elsladden under mattor och täck inte heller över den.
- Lyft alltid apparaten i handtaget när den ska flyttas.
- Den här apparaten är inte avsedd att användas av personer (inkl. barn) med reducerad fysisk, sensorisk eller mental förmåga eller som saknar erfarenhet och kunskap, om inte det sker under uppsyn eller om de fått anvisningar om hur de ska använda apparaten av någon som ansvarar för deras säkerhet.
- Apparaten får användas av barn från 8 år och av personer som har nedsatt fysisk, sensorisk eller mental förmåga eller saknar erfarenhet och kunskap, under förutsättning att det sker under uppsikt eller de har fått anvisningar om säker användning av apparaten och förstär riskerna. Låt inte barn leka med apparaten. Barn får inte rengöra eller utföra underhåll på apparaten utan uppsikt.

INSTALLATION OCH DRIFT



OBS.: Följ dessa instruktioner för bästa resultat.

Placera apparaten minst 50 cm från väggen. Håll apparaten på avstånd från dragiga områden. Placera inte apparaten i närheten av gardiner eftersom de kan störa till-/frånluftspöppningen. Placera apparaten på ett stabilt underlag med tillfredsställande luftcirkulation.

- Ta av skyddsplasten från kontrollpanelen.
- Tryck ned fliken och dra ut den bakre panelen.
- Ta bort påsen från filtren. Sätt tillbaka filtren i apparaten.
- Sätt i True HEPA-filtret först och därefter kolfiltret.
- Sätt i filterpanelens undre flikar först och tryck sedan in den övre fliken tills ett klickljud hörs.
- Koppla in elsladden i ett vägguttag.
- Slå på apparaten. Apparaten avger ett pipjud. Under de cirka fyra första minuterna efter att apparaten slagits på, kommer indikatorlamporna att blinka medan apparaten mäter luftkvaliteten.

SKÖTSEL OCH UNDERHÅLL

RENGÖRING:

Rengör apparaten vid behov genom att torka av den med en torr, mjuk torkduk. Vid envisa fläckar, använd en varm, fuktig torkduk. Använd inte flyktiga ämnen såsom bensen, förtunningsmedel eller rengöringsmedel i pulverform, eftersom de kan skada apparatens yta. Håll apparaten torr.

FELSÖKNING: Lösningar på vanliga problem

Titta igenom listan innan du ringer för service. Denna lista tar upp de problem som inte är ett resultat av material- och tillverkningsdefekter.

PROBLEM:	MÖJLIG ÅTGÄRD:
Apparaten lämnar kvar rök och lukter i luften.	Säkerställ att sensorn inte är blockerad eller tilltäppt. Flytta apparaten närmare de störande lukterna. Byt filtren enligt behov.
Apparaten verkar framkalla lukter.	Byt filtren enligt behov.
Apparaten avger ett svagt tickande ljud.	Detta indikerar att PlasmaTRUE™-funktionen fungerar.
Apparaten stör radio- eller TV-mottagning.	Eftersom denna apparat utstrålar radiofrekvensenergi, föreslår vi att du testar en eller flera av följande åtgärder: <ul style="list-style-type: none"> Justera tv-/radioantennen för bättre mottagning. Flytta apparaten bort från den påverkade tv-/radioapparaten. Koppla in apparatens elsladd i ett annat eluttag än det som tv:ns/radions elsladd är ansluten till.
True HEPA- och kolfilterindikatorlamporna förblir tända efter att True HEPA- och/eller kolfiltren har bytts ut.	Upprepa återställningen av filterindikatorerna enligt instruktionerna i avsnittet Installation och drift.
PlasmaTRUE™-ikonen tänds inte.	Tryck och håll på PlasmaTRUE™-ikonen under fem sekunder, tills apparaten avger ett pipjud.
Fel filterutbytesindikator återställdes.	I händelse av oavsiktlig filteråterställning ska du upprepa filteråterställningsproceduren i avsnittet Installation och drift inom fem minuter efter den oavsiktliga återställningen. Filterräkaren och -indikatorn återgår till den status som föregick återställningen.

DANSK

AeraMax™ DX5

Tak fordi du købte en Fellowes® AeraMax™-luftrensere. Læs denne manual omhyggeligt for brug.

PAKKEN INDEHOLDER

- Fellowes® AeraMax™-luftrensere
- True HEPA-filtre med AeraSafe™ antimikrobiel behandling (1 filter)
- Kulstoffilter (1 filter)
- Brugermanual

SPECIFIKATIONER FOR LUFTRENSER

AeraMax™ DX5-luftrensere	
Renser rum op til	8 m²
Strømforsyning	220-240 V/50 Hz
Effektforbrug	Lav 49W, høj 68W
Ventilatorhastighed	3-trins
Skærm	Berørings-skærm
Kontroltype	Automatisk/manuel/Aera+™
Luftkvalitetssensor	Ja
Filtere	1 HEPA-filter med AeraSafe™ antimikrobiel behandling 1 kulstoffilter
Rensningssystem	Kulstoffilter/True HEPA-filter med AeraSafe™ antimikrobiel behandling/PlasmaTRUE™
CADR	53 røg/51 støv/58 pollen
Farve	Hvid
Specifikationer for filter	
True HEPA-filter til udskiftning	9287001
Kulstoffilter til udskiftning	9324001

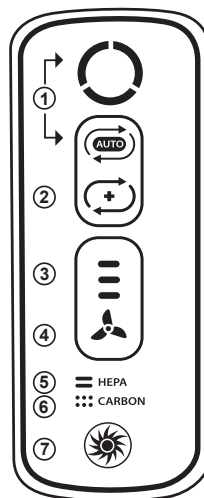
Gå til www.fellowes.com ang. udskiftningsfiltre.

LUFTRENSERENS FUNKTIONER

- SÆRDELES STØJSVAG BRUG:** Denne Fellowes AeraMax™-luftrensere har en tretrins blæser med særdeles støjsvag brug, som er ideel til brug døgnet rundt.
- NEM VEDLIGEHOLDSELSE:** For optimal ydeevne skal HEPA-filtret udskiftes, når HEPA-filter-indikatoren lyser rødt, eller ca. årligt under normale driftsforhold. Skift kulstoffiltret, når kulstoffilter-indikatoren lyser rødt, eller ca. hver 3. måned.
- AeraSmart™-SENSOR:** Denne luftrensere er udstyret med en luftkvalitetssensor, som automatisk justerer blæserhastigheden for at holde luften renset. Blå, gule og røde lamper indikerer luftens renhed.
- INDIKATORLAMPER TIL UDSKIFTNING AF FILTER:** Angiver, hvornår HEPA- og kulstoffiltret skal udskiftes, afhængig af brug.
- TRETRINS HASTIGHEDSINDSTILLING:** Fra LAV til støjsvag, energieffektiv drift til HØJ til den mest effektive rensning.
- Aera+™-FUNKTION:** Beregnet til forhold under allergihøjsæson. Forhøjer luftudskiftningshastigheden med 35 % sammenlignet med lav blæserindstilling for at fjerne endnu flere allergener fra luften.

DISPLAYPANEL/FUNKTIONER

- AeraSmart™-SENSOR:** Overvåger luftkvaliteten og justerer automatisk blæserhastigheden for holde luften renset. Enheden er indstillet til som standard at starte automatisk funktion, når den tændes. I manuel funktion kan der til hver en tid skiftes til automatisk funktion ved at trykke på auto-ikonet.
- Aera+™-funktion:** Beregnet til forhold under allergihøjsæson. Forhøjer luftudskiftningshastigheden med 35 % sammenlignet med lav blæserindstilling for at fjerne endnu flere allergener fra luften. Skift til Aera+™-funktion ved at trykke på ikonet . Tryk på ikonet igen for at slå funktionen fra og vende tilbage til automatisk funktion.
- INDIKATOR TIL BLÆSERHASTIGHED:** Viser den aktuelle blæserhastighed: lav, middel eller høj hastighed.
- MANUEL JUSTERING AF BLÆSERHASTIGHED** – Tryk på blæserikonet for at vælge blæserhastigheden manuelt.
- INDIKATOR TIL UDSKIFTNING AF HEPA-FILTER** – Gule og røde lamper angiver, når filtret skal udskiftes. Den røde indikatorlampe angiver, når filteret skal udskiftes. (Det anbefales at udskifte filtret årligt under normale driftsforhold).
- INDIKATOR TIL UDSKIFTNING AF KULSTOFFILTER** – Gule og røde lamper angiver, når filtret skal udskiftes. Den røde indikatorlampe angiver, når filteret skal udskiftes. (Det anbefales at udskifte filtret hver 3. måned under normale driftsforhold).
- PlasmaTRUE™-TEKNOLOGI** – Danner et ioniseret felt, der hjælper med at fjerne luftbårne forureningskilder på en sikker måde.

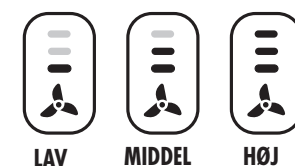


AeraSmart™-SENSOR

Luftkvalitetssensor viser luftkvalitetens niveauer.

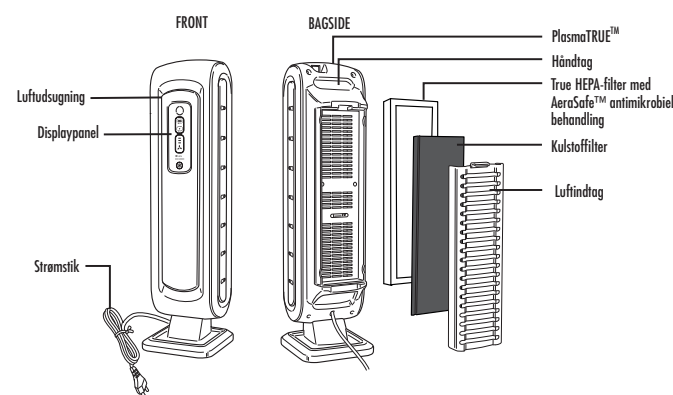
- Blåt niveau angiver, at luften er ren.
- Gult niveau angiver, at luftkvaliteten er dårlig.
- Rødt niveau angiver et højt niveau af forureningskilder i luften.

INDSTILLINGER TIL BLÆSERHASTIGHED



FIRETRINS RENSNINGSSYSTEM

- KULSTOFFILTER:** Fjerner lugte og indfanger store luftbårne partikler.
- TRUE HEPA-FILTER:** Indfanger 99,97 % partikler, helt ned til 0,3 mikroner, herunder ambrosie og andre allergener, vira, bakterier, støvmider, skimmelsporer, skæl fra kæledyr og cigaretrøg.
- AeraSafe™ ANTIMIKROBIEL BEHANDLING:** Indbygget beskyttelse fra lugtvækst, som er årsag til bakterier, mug og svampevækst på HEPA-filtret.
- PlasmaTRUE™ TEKNOLOGI:** I den afsluttende rensning danner Fellowes® PlasmaTRUE™ teknologi et ioniseret felt, der hjælper med at fjerne luftbårne forureningskilder på en sikker måde.

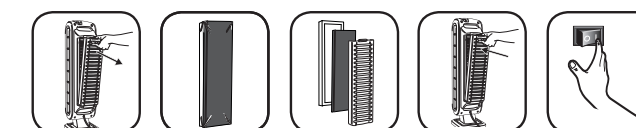


SIKKERHEDSVEJLEDNING/ADVARSEL

ADVARSEL: Følg vejledningen i denne manual for at mindske faren for elektrisk stød, kortslutning og/eller brand:

- Enheden må ikke repareres eller modificeres, medmindre det specifikt er anbefalet i manualen. Alle reparationer bør udføres af en kvalificeret tekniker.
- Tving ikke stikket ind i en stikkontakt.
- Stikket må ikke ændres på nogen måde. Vend stikket om, hvis det ikke passer ind i stikkontakten. Kontakt en kvalificeret elektriker for at montere den rigtige stikkontakt, hvis stikket ikke passer.
- Brug ikke, hvis ledningen eller stikket er beskadiget, eller hvis forbindelsen til stikkontakten er løs.
- Brug kun 220-240 V vekselstrøm.
- Vær forsigtig med ikke at beskadige, knække, bukke kraftfuldt, trække i, dreje, samle, tildække, klemme eller stille tunge genstande oven på ledningen.
- Fjern regelmæssigt støv fra stikkontakten. Det vil formindske risikoen for ophobning af fugtighed, hvilket kan øge risikoen for elektrisk stød.
- Hvis ledningen, der medfølger, bliver beskadiget, skal den udskiftes af producenten, dennes serviceforhandler eller lignende kvalificeret personale for at undgå fare.
- Tag strømstikket ud af stikkontakten før enheden rengøres. Tag fat i selve stikket, når det tages ud, aldrig ledningen.
- Tag stikket ud af stikkontakten, når enheden ikke er i brug.
- Tag ikke fat i ledningen med våde hænder.
- Brug ikke enheden ved brug af indendørs røgudviklende insektbekæmpelsesmidler.
- Enheden må ikke rengøres med benzen eller farvefortynder. Sprøjt ikke insektbekæmpelsesmidler på enheden.
- Brug ikke enheden, hvor der er fugtigt, eller hvor enheden måske bliver våd, såsom i et badeværelse.
- Kom ikke fingre eller fremmedlegemer ind i luftindtaget eller udsugningen.
- Brug ikke enheden i nærheden af brandfarlige luftarter. Brug ikke i nærheden af cigaretter, røgelse eller andre gnistdannende elementer.
- Enheden fjerner ikke kulilte, der er emitteret fra varmeanlæg eller andre kilder.
- Blokér ikke indtaget eller udsugningsåbninger.
- Brug ikke i nærheden af varme elementer, såsom et komfur. Brug ikke, hvor enheden kan komme i kontakt med damp.
- Brug ikke enheden på dens side.
- Hold væk fra produkter, som genererer olieholdigt bundfald, såsom et fritureapparat.
- Du må ikke bruge rengøringsmidler til at rengøre enheden.
- Brug ikke uden et filter.
- Vask og genbrug ikke True HEPA-filtret.
- Læg ikke ledningen under gulvtæpper og tildæk den ikke med tæpper.
- Løft altid maskinen med håndtaget, når den flyttes.
- Dette apparat er ikke beregnet til anvendelse af personer (herunder børn) med nedsatte fysiske, føle- eller mentale evner eller manglende erfaring eller viden, medmindre de er under opsyn eller har fået anvisninger i sikker brug af apparatet af en person, som er ansvarlig for deres sikkerhed.
- Dette apparat kan anvendes af børn over 8 år og af personer med nedsatte fysiske, føle- eller mentale evner eller manglende erfaring eller viden, såfremt de er under opsyn eller har fået anvisninger i sikker brug af apparatet og forstår farerne. Børn må ikke lege med apparatet. Må ikke rengøres eller vedligeholdes af børn, der ikke er under opsyn.

OPSÆTNING OG BETJENING



BEMÆRK: Følg disse anvisninger for at få de bedste resultater

Placér enheden mindst ½ meter fra væggen. Hold enheden væk fra utætte områder. Hold gardiner væk fra enheden, da de kan være forstyrrende for luftindtag-/udsugning. Placér enheden på en stabil overflade med rigelig luftcirkulation.

- Fjern den beskyttende film fra kontrolpanelet.
- Tryk fligen ind og tag bagpanelet af.
- Tag filterne ud af posen. Anbring filterne i enheden igen.
- Sæt først HEPA-filtret i og derefter kulstoffiltret.
- Sæt filterpanelets nederste flige helt i først og derefter den øverste flig, til panelet sættes på plads med et klik.
- Sæt ledningen i en stikkontakt.
- Tænd for enheden. Enheden bipper.

Indikatorerne blinker, mens enheden måler luftkvaliteten i ca. de første 4 minutter efter der er tændt for enheden.

OPBEVARING OG VEDLIGEHOLDSELSE

RENGØRING:

Rengør enheden efter behov ved at tørre med en tør, blød klud. Brug en varm, fugtig klud til genstridige pletter. Brug ikke flygtige væsker, såsom benzen, farvefortynder eller skurepulver, da det kan beskadige enhedens overflade. Hold enheden tør.

FEJLFINDING Løsninger til almindelige problemer

Gennemse denne liste, før du ringer efter service. Listen omhandler problemer, som ikke er resultatet af defekte materialer eller fabrikationsfejl.

PROBLEM:	MULIG LØSNING:
Enheden efterlader røg og lugtgener i luften.	Sørg for, at sensoren ikke er blokeret eller tilstoppet. Flyt enheden tættere på luftgenerne. Udskift filterne efter behov.
Enheden forekommer at producere lugtgener.	Udskift filterne efter behov.
Enheden laver en svag tikkende lyd.	Dette indikerer, at PlasmaTRUE™-funktionen virker.
Enheden forstyrrer radio- eller tv-modtagelse.	Da denne enhed udsåler radiofrekvensenergi, foreslår vi, at du prøver et eller flere af følgende forslag: <ul style="list-style-type: none"> Justér tv-/radioantennen for bedre modtagelse. Flyt enheden væk fra det tv eller den radio, som er påvirket. Sæt enhedens strømledning i en stikkontakt, hvor tv'ets eller radioens strømledning er sat i.
HEPA- og kulstoffiltrensens indikatorer forbliver tændt efter udskiftning af HEPA- og/eller kulstof-filtret.	Gentag vejledningen til nulstilling af filterlampen fra afsnittet Opsætning og drift.
Ikonet PlasmaTRUE™ er ikke oplyst.	Tryk og hold på ikonet PlasmaTRUE™ i fem sekunder, til enheden bipper.
Den forkerte indikatorlampe til udskiftning af filter blev nulstillet.	I tilfælde af en utilsigtet filter-nulstilling, gentages filter-nulstillingsproceduren fra afsnittet Opsætning og drift inden for 5 minutter efter den utilsigtede nulstilling. Filtertælleren og indikatoren vender tilbage til status før nulstillingen.

SUOMI

AeraMax™ DX5

Kiitos, että hankit Fellowes® AeraMax™ -ilmanpuhdistimen. Lue tämä opas huolellisesti ennen käyttöä.

PAKKAUKSEN SISÄLTÖ

- Fellowes® AeraMax™ -ilmanpuhdistin
- Hiilisuodatin (1 suodatin)
- True HEPA -suodatin, jossa AeraSafe™ antimikrobikäsittely (1 suodatin)
- Käyttöopas

ILMANPUHDISTIMEN TEKNISEET TIEDOT

AeraMax™ DX5 -ilmanpuhdistin	
Kattavuusalue	8 m ²
Virransyöttö	Vaihtovirta, 220-240 V / 50 Hz
Tehotaso	Matala 49 W, korkea 68 W
Tuulettimen nopeus	3 nopeutta
Näyttö	Kosketusnäyttö
Säädintyyppi	Automaattinen/Manuaalinen/Aera+™
Ilmanlaadun tunnistin	On
Suodattimet	1 True HEPA -suodatin, jossa AeraSafe™ antimikrobikäsittely 1 hiilisuodatin
Puhdistusjärjestelmä	Hiilisuodatin / True HEPA -suodatin, jossa AeraSafe™ antimikrobikäsittely/PlasmaTRUE™
CADR	53 savu / 51 pöly / 58 siitepöly
Väri	Valkoinen
Suodattimen tekniset tiedot	
True HEPA -vaihtosuodatin	9287001
Hiilisuodattimen vaihtosuodatin	9324001

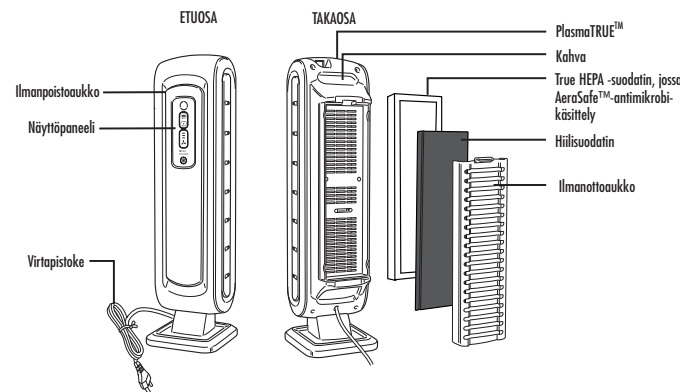
Voit tilata vaihtosuodattimia vierailamalla osoitteessa www.fellowes.com

ILMANPUHDISTIMEN OMINAISUUDET

- ERITTÄIN HILJAINEN KÄYNTI:** Tässä Fellowes AeraMax™ -ilmanpuhdistimessa on kolminopeuksinen tuuletin, joka soveltuu ympärivuorokautiseen käyttöön erittäin hiljaisen käyntinsä vuoksi.
- HELPPO HUOLTAA:** Saat parhaan suorituskyvyn vaihtamalla True HEPA -suodattimen, kun HEPA-suodattimen merkkivalo on muuttunut punaiseksi, tai noin 12 kuukauden kuluttua normaalissa käytössä. Vaihda hiilisuodatin, kun hiilisuodattimen merkkivalo on muuttunut punaiseksi, tai noin 3 kuukauden välein.
- AeraSmart™-TUNNISTIN:** Tässä ilmanpuhdistimessa on ilman laadun tunnistin, joka säätää tuulettimen nopeuden automaattisesti varmistaen ilman puhtauden. Sininen, keltainen ja punainen valo ilmaisevat ilman puhtautta.

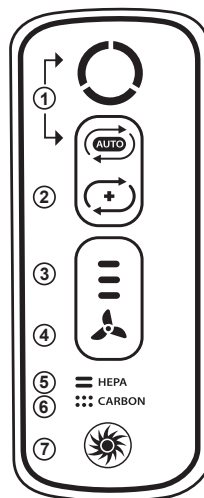
NELIVAIHEINEN PUHDISTUSJÄRJESTELMÄ

- HIILISUODATIN:** Poistaa hajut ja vangitsee ilman mukana kulkeutuvat suuret hiukkaset.
- TRUE HEPA -SUODATIN:** Vangitsee 99,97 % jopa 0,3 mikronin kokoista hiukkasista, mukaan lukien tuoksut ja muut allergioita aiheuttavat ainekset, virukset, bakteerit, pölypunkit, homeitiät, lemmikkien hilseen ja tupakansavun.
- AeraSafe™-ANTIMIKROBIKÄSITTELY:** True HEPA -suodattimessa on sisäänrakennettu suoja hajuja aiheuttavista bakteereista, homeista ja sienistä vastaan.
- PlasmaTRUE™-TEKNIikka:** Puhdistuksen viimeisessä vaiheessa Fellowes® PlasmaTRUE™ -tekniikka luo ionisoidun kentän, joka poistaa tehokkaasti ilman mukana kantautuvat saasteaineet.



NÄYTTÖPANEELI/TOIMINNOT

- AeraSmart™-TUNNISTIN:** Tarkkailee ilmanlaatua ja pitää ilman puhtana säätämällä tuulettimen nopeuden automaattisesti. Laitteen oletusasetuksena on automaattinen käynti, kun siihen kytketään virta ensimmäisen kerran. Voit siirtyä manuaalisesta käytöstä takaisin automaattiseen milloin tahansa painamalla automaattisen toiminnon painiketta.
- Aera+™-TILA:** Suunniteltu eniten allergioita aiheuttavan vuodenajan olosuhteisiin. Parantaa ilman kiertonopeutta 35 % verrattuna matalaan tuulettimen nopeustilaan ja poistaa huoneilmastasi entistä enemmän allergiaa aiheuttavia aineita. Siirry Aera+™-tilaan painamalla -kuvaketta. Pala takaisin automaattiseen toimintoon painamalla -kuvaketta, mikä kytkee tilan pois päältä.
- TUULETTIMEN NOPEUDEN ILMAISIN:** Näyttää tuulettimen nykyisen nopeusasetuksen: matala, keskitasoinen tai korkea.
- MANUAALINEN TUULETTIMEN NOPEUDEN SÄÄTÖ** – Valitse tuulettimen nopeus manuaalisesti napauttamalla tuulettimen kuvaketta.
- TRUE HEPA -SUODATTIMEN VAIHTOILMAISIN** – Keltainen ja punainen merkkivalo ilmaisevat, milloin suodatin on vaihdettava. Punainen merkkivalo ilmoittaa, kun suodatin on vaihdettava. (Suosittelemme suodattimen vaihtamista 12 kuukauden välein normaalissa käytössä.)
- HIILISUODATTIMEN VAIHTOILMAISIN** – Keltainen ja punainen merkkivalo ilmaisevat, milloin suodatin on vaihdettava. Punainen merkkivalo ilmoittaa, kun suodatin on vaihdettava. (Suosittelemme suodattimen vaihtamista kolmen kuukauden välein normaalissa käytössä.)
- PlasmaTRUE™-TEKNIikka** – Luo ionisoidun kentän, joka auttaa poistamaan ilman epäpuhtauksia turvallisesti.



AeraSmart™-TUNNISTIN

Ilman laadun ilmaisin näyttää ilman laatutason.

- Sininen taso ilmoittaa ilman olevan puhdasta.
- Keltainen taso ilmoittaa huonosta ilmanlaadusta.
- Punainen taso ilmoittaa, että ilmassa on paljon saasteaineita.

TUULETTIMEN NOPEUSASETUKSET

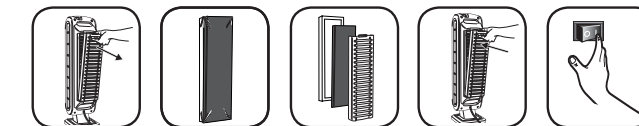


TURVALLISUUSOHJEET JA VAROITUS

VAROITUS: Noudata tämän oppaan ohjeita vähentääksesi sähköiskun, oikosulun ja tulipalon vaaraa:

- Älä korjaa tai muunna laitetta, ellei käyttöoppaassa erityisesti suositella toimimaan niin. Vain pätevä teknikko saa suorittaa korjaustoimenpiteitä.
- Älä työnnä pistoketta väkisin pistorasiaan.
- Älä muunna pistoketta millään tavalla. Jos pistoke ei sovi pistorasiaan, käännä se toisinpäin. Jos se ei siltikään sovi, ota yhteyttä pätevään tekniikkoon, joka voi asentaa toimivan pistorasian.
- Älä käytä laitetta, jos sen virtajohto tai pistoke on vahingoittunut tai jos se istuu löyhästi pistorasiassa.
- Käytä vain 220–240 V:n vaihtovirtaa.
- Älä vahingoita, riko, taivuta väkisin, vedä, väännä, kierrä, päällystä tai purista virtajohtoa aläkä aseta sen päälle painavia esineitä.
- Pyöhi pöly säännöllisesti pistokkeesta. Tämä alentaa kosteuden kerääntymisen mahdollisuutta, sillä kosteus lisää sähköiskun vaaraa.
- Jos virtajohto on vaurioitunut, valmistajan, valmistajan valtuuttaman huoltajan tai vastaavan pätevän tahon on vaihdettava se vaaran välttämiseksi.
- Poista pistoke pistorasiasta ennen kuin puhdistat laitteen. Irrota pistoke pitämällä kiinni itse pistokkeesta, älä koskaan vedä johdosta.
- Irrota pistoke pistorasiasta, kun laite ei ole käytössä.
- Älä käsittele pistoketta märin käsin.
- Älä käytä laitetta käyttäessäsi sisätiloihin tarkoitettuja savuavia hyönteismyrkkyjä.
- Älä puhdistu laitetta benseenillä tai ohenteilla. Älä suihkuta laitetta hyönteismyrkkyillä.
- Älä käytä laitetta kosteissa olosuhteissa tai paikoissa, joissa se voi kastua, esimerkiksi kylpyhuoneessa.
- Älä työnnä sormia tai vieraita esineitä ilmanotto- tai ilmanpoistaukkoihin.

ASENNUS JA KÄYTTÖ



HUOM: saat parhaat tulokset noudattamalla näitä ohjeita

Sijoita laite vähintään ½ metrin etäisyydelle seinästä. Pidä laite poissa vetoisilta alueilta. Pidä verhot kaukana laitteesta, sillä ne saattavat tukkia ilmanotto- tai ilmanpoistaukset. Sijoita laite vakaalle pinnalle, jossa ilma kiertää hyvin.

- Poista suojamuovi ohjauspaneelista.
- Purista kielekettä ja irrota takalevy.
- Poista suodattimet pakkauksistaan. Aseta suodattimet laitteeseen.
- Aseta True HEPA -suodatin ensin ja hiilisuodatin sen jälkeen.
- Työnnä suodattimen alakielekkeet ensin paikoilleen ja työnnä sitten yläkielekettä, kunnes se naksahtaa kuuluvasti paikalleen.
- Liitä virtajohto pistorasiaan.
- Kytke laitteeseen virta. Laitteesta kuuluu merkkiääni.

Kun käynnistät laitteen, merkkivalot välkyvät noin 4 minuutin ajan laitteen mitassa ilman laatua.

KUNNOSSAPITO JA HUOLTO

PUHDISTUS:

Pyöhi laite tarvittaessa kuivalla ja pehmeällä rätillä. Poista tahrat lämpimällä ja kostealla rätillä. Älä käytä haihtuvia nesteitä, kuten benseeniä, ohenteita tai hankausjauhetta, sillä ne voivat vahingoittaa laitteen pintaa. Pidä laite kuivana.

VIANMÄÄRITYS: Ratkaisuja yleisimpiin ongelmiin

Lue tämä luettelo, ennen kuin soitat huoltopalveluun. Tämä luettelo kattaa muista syistä kuin viallisista materiaaleista tai valmistusvirheistä johtuvat ongelmat.

ONGELMA:	MAHDOLLINEN RATKAISU:
Laitteesta lähtee savua ja hajuja.	Varmista, ettei tunnistin ole peitetty tai tukossa. Siirrä laite lähemmäksi hajuja. Vaihda suodattimet tarvittaessa.
Laitteesta tuntuu lähtevän hajuja.	Vaihda suodattimet tarvittaessa.
Laitteesta kuuluu hiljainen tikittävä ääni.	Tämä tarkoittaa, että PlasmaTRUE™-ominaisuus toimii.
Laite häiritsee radio- tai televisiosignaalia.	Koska tässä laitteessa käytetään radiotaajuusenergiaa, suosittelemme kokeilemaan yhtä tai useampaa seuraavista vaihtoehdoista: - Paranna kuuluvuutta tai näkyvyyttä säätämällä television tai radion antenna. - Siirrä laite kauemmas kyseisestä televisiosta tai radiosta. - Liitä laitteen virtajohto toiseen pistorasiaan kuin television tai radion virtajohto.
True HEPA- ja hiilisuodattimien merkkivalot pysyvät valaistuna vaihdettuasi True HEPA- ja/ta hiilisuodattimen.	Toista Asennus ja käyttö -kohdassa olevat suodattimen valojen nollausohjeet.
PlasmaTRUE™-kuvakkeeseen ei syty valoa.	Pidä PlasmaTRUE™-kuvaketta alaspainettuna viiden sekunnin ajan, kunnes laitteesta kuuluu merkkiääni.
Väärän suodattimen vaihtovallo nollautui.	Jos nollat suodattimen vahingossa, toista Asennus ja käyttö -kohdassa olevat suodattimen nollausohjeet 5 minuutin kuluessa vahingossa tapahtuneesta nollauksesta. Suodattimen laskin ja merkkivalo palaavat nollauksesta edeltäneeseen tilaan.

NORSK

AeraMax™ DX5

Takk for at du kjøpte en Fellowes® AeraMax™ luftrenser. Les denne bruksanvisningen nøye for du tar i bruk enheten.

PAKKENS INNHOLD

- Fellowes® AeraMax™ Luftrenser
- True HEPA-filte med AeraSafe™ Antimikrobiell behandling (1 filter)
- Kullfilter (1 filter)
- Bruksanvisning

LUFTRENSERENS SPESIFIKASJONER

AeraMax™ DX5 Luftrenser	
Område-dekning	8 m ²
Strømforsyning	AC 220–240 V/50 Hz
Oppgitt effekt	Lav 49 W, Høy 68 W
Viftehastighet	3 hastigheter
Skjerm	Berørings-skjerm
Kontrolltype	Auto/Manual/Aera+™
Luftkvalitetssensor	Ja
Filtere	1 True HEPA-filter med AeraSafe™ antimikrobiell behandling 1 kullfilter
Rengjøringsystem	Kullfilter/True HEPA-filter med AeraSafe™ antimikrobiell behandling/PlasmaTRUE™
CADR	53 røyk/51 støv/58 pollen
Farge	Hvit
Filterspesifikasjoner	
Bytte av True HEPA-filter	9287001
Bytte av kullfilter	9324001

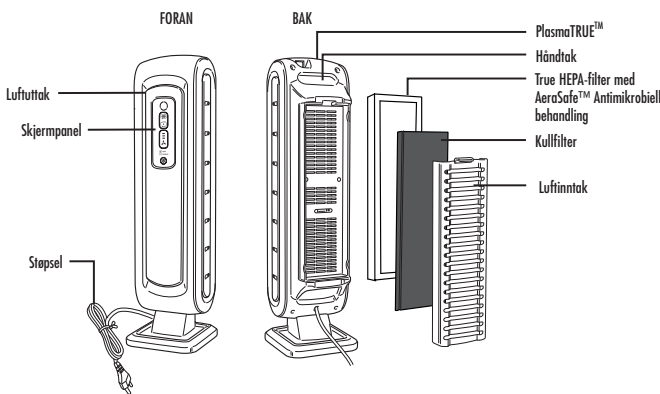
For erstatningsfilter, gå til: www.fellowes.com

LUFTRENSERENS FUNKSJONER

- ULTRASTILLE DRIFT:** Denne Fellowes AeraMax™-luftrenseren har en tre-trinns vifte med ultra-stillegående drift som er ideell for 24 timers bruk.
- ENKELT VEDLIKEHOLD:** For optimal ytelse, bytt ut True HEPA-filteret når HEPA-filterindikatoren endres til rød, eller omtrent hver 12. måned under normale bruksforhold. Bytt kullfilteret når kullfilterindikatoren endres til rødt eller ca hver 3. måned.
- AeraSmart™-SENSOR:** Denne luftrenseren er utstyrt med en luftkvalitetssensor som automatisk justerer viftehastigheten for å holde luften renset. Blå, gule og røde lys indikerer renheten i luften din.

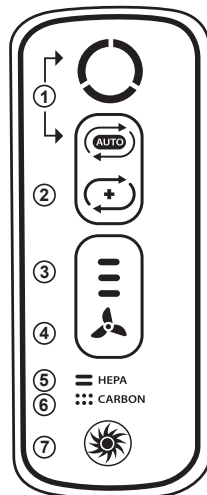
FIRETRINNS RENSESYSTEM

- KULLFILTER:** Fjerner lukt og fanger opp store luftbårne partikler.
- TRUE HEPA-FILTER:** Fanger 99,97 % av partikler som er så små som 0,3 mikron, inkludert ambrosia og andre allergener, virus, bakterier, støvmidd, muggsporer, partikler fra kjøledyr og sigarettøyk.
- AeraSafe™ ANTIMIKROBIELL BEHANDLING:** Innebygd beskyttelse mot vekst av lukt bakterier, mugg og sopp på True HEPA-filteret.
- PlasmaTRUE™-TEKNOLOGI:** I det siste rensediet, danner Fellowes® PlasmaTRUE™-teknologien et ionisert felt for å bidra til å fjerne luftforurensninger på en trygg måte.



SKJERMPANEL/FUNKSJONER

- AeraSmart™-SENSOR:** Overvåker luftkvaliteten og justerer automatisk viftehastigheten for å holde luften din ren. Enheten er satt som standard til automatisk drift når den slås på for første gang. Hvis du er i manuell modus, kan du gå tilbake til automatisk når som helst ved å trykke på auto-ikonet.
- Aera+™-MODUS:** Designet for forholdene under topp allergisesonng. Øker luftens omsetningshastighet med 35 % sammenlignet med lav vifteinnstillingsmodus for å fjerne enda flere allergener fra luften. Bytt til Aera+™-modus ved å trykke på (+)-ikonet. For å gå tilbake til automatisk drift, trykk på (AUTO)-ikonet en gang til for å slå av.
- VIFTEHASTIGHETSINDIKATOR:** Viser gjeldende viftehastighet: lav, middels eller høy hastighet.
- MANUELL VIFTEHASTIGHETSJUSTERING** – Trykk på vifte-ikonet for å velge viftehastigheten manuelt.
- INDIKATOR FOR TRUE HEPA FILTERBYTTE** – Gult og rødt lys indikerer når du skal skifte filter. Den røde varselampen vil signalisere når du skal skifte filter. (Det anbefales å skifte filter hver 12. måned under normale bruksforhold.)
- INDIKATOR FOR KULLFILTERBYTTE** – Gult og rødt lys indikerer når du skal skifte filter. Den røde varselampen vil signalisere når du skal skifte filter. (Det anbefales å skifte filter hver 3. måned under normale bruksforhold.)
- PlasmaTRUE™-TEKNOLOGI** – Lager et ionisert felt for å bidra til å fjerne luftforurensninger på en trygg måte.

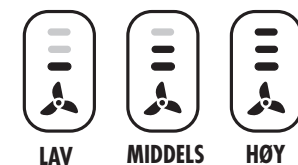


AeraSmart™-SENSOR

Luftkvalitetsindikator viser nivåer av luftkvalitet.

	Blått nivå indikerer at luften er ren.
	Gult nivå indikerer at luftkvaliteten er dårlig.
	Rødt nivå indikerer en høy grad av forurensninger i luften.

VIFTEHASTIGHET-INNSTILLINGER



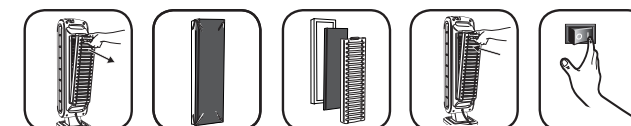
SIKKERHETSINSTRUKSJONER/ADVARSEL

ADVARSEL: Følg instruksjonene i denne manualen for å redusere risiko for elektrisk støt, kortslutning og/eller brann:

- Enheten skal ikke repareres eller modifiseres med mindre det anbefales spesifikt i denne håndboken. Alle reparasjoner skal utføres av en kvalifisert tekniker.
- Ikke tving støpselet inn i en stikkontakt.
- Støpselet må ikke modifiseres på noen måte. Hvis støpselet ikke passer inn i stikkontakten, må støpselet reverseres. Hvis det fortsatt ikke passer, må du kontakte en kvalifisert tekniker for å installere en korrekt type stikkontakt.
- Må ikke brukes hvis strømledningen eller støpselet er skadet, eller hvis tilkoblingen til stikkontakten er løs.
- Bruk kun 220–240 V nettstrøm (vekselstrøm).
- Strømledningen må ikke skades, knekkes, bøyes kraftig, trekkes i, vrir, bantes sammen, tildekkes eller klemmes, og tunge gjenstander må ikke plasseres oppå den.
- Fjern støv fra støpselet regelmessig. Dette reduserer faren for oppsamling av fukt, noe som igjen øker faren for elektrisk støt.
- Hvis ledningen er ødelagt, må den skiftes av produsenten eller dennes serviceagent eller en tilsvarende kvalifisert person, om farlige situasjoner skal unngås.
- Støpselet må tas ut av stikkontakten før rengjøring av enheten. Hold i selve støpselet når det skal trekkes ut av stikkontakten. Trekk aldri i ledningen.
- Ta støpselet ut av stikkontakten når enheten ikke er i bruk.
- Ikke ta i støpselet med våte hender.
- Enheten må ikke brukes når innendørs røykgenererende insektmidler blir brukt.
- Ikke rengjør apparatet med benzen eller tynner. Ikke spray insektmidler på enheten.
- Ikke bruk enheten der det er fuktig eller der enheten kan bli våt, for eksempel i et bad.

- Ikke rør fingrer eller fremmede objekter inn i luftinntaket eller -utløpet.
- Ikke bruk enheten i nærheten av brannfarlige gasser. Må ikke brukes nær sigaretter, røkelse, eller andre tennskapende elementer.
- Enheten vil ikke fjerne karbonmonoksid som slipper ut fra ildsteder eller andre kilder.
- Ikke blokker luftinntaket eller -utløpet.
- Ikke bruk nær varme gjenstander, slik som en komfyr. Ikke bruk der enheten kan komme i kontakt med damp.
- Ikke bruk enheten på siden.
- Hold deg unna produkter som genererer fettrester, for eksempel en frityrkoker.
- Ikke bruk vaskemiddel for å rengjøre enheten.
- Må ikke brukes uten filter.
- Ikke vask og bruk opp igjen True HEPA-filteret.
- Ikke legg strømledningen under et gulvteppe eller dekk den til med en gulvmatte.
- Når du flytter maskinen, må du alltid løfte den etter håndtaket.
- Dette apparatet er ikke ment for bruk av personer (inkludert barn) med redusert fysisk, sensoriske eller mentale muligheter, eller mangel på erfaring og kunnskap, med mindre de er under tilsyn eller har mottatt instruksjoner om bruk av apparatet av en person som er ansvarlig for deres sikkerhet.
- Dette apparatet kan brukes av barn fra 8 år og oppover og av personer med nedsatte fysiske, sanselige eller mentale evner og kunnskap, dersom de har vært under oppsyn eller mottatt instruksjoner om sikker bruk av apparatet og forstår farene forbundet med bruk. Barn skal ikke leke med apparatet. Rengjøring og brukervedlikehold skal ikke gjøres av barn uten overvåking.

OPPSETT OG BRUK



MERK: Følg disse instruksjonene for best resultat

Plasser enheten minst ½ meter fra veggen. Hold enheten unna trekkfulle områder. Hold gardiner unna enheten, da de kan forstyrre luftinntaket/-utløpet. Plasser enheten på et stabilt underlag med mye luft sirkulasjon.

- Fjern beskyttelsesfilmen fra kontrollpanelet.
- Trykk sammen tappen og dra ut bakpanelet.
- Fjern posen fra filterne. Plasser filterne tilbake i enheten.
- Sett inn True HEPA-filteret først og deretter kullfilteret.
- Sett filterpanelets nedre tapper helt inn først, og sett deretter inn de øvre tappene til det høres et klikk.
- Koble strømledningen til en stikkontakt.
- Slå på enheten. Enheten vil pipe.

I ca de første 4 minuttene etter enhetens slås på, vil indikatoren blinke mens enheten måler luftkvaliteten.

VEDLIKEHOLD OG REPARASJON

RENGJØRING:

Rengjør enheten etter behov ved å tørke med en tørr, myk klut. For vanskelige flekker kan du bruke en varm, fuktig klut. Ikke bruk flyktige væsker slik som benzen, tynner, skurepulver siden de kan skade enhetens overflate. Hold enheten tørr.

FEILSØKING: Løsninger på vanlige problemer

Gjennom denne listen før du ringer etter service. Denne listen dekker problemer som ikke er forårsaket av defekte materialer eller utførelse.

PROBLEM:	MULIG LØSNING:
Enheten etterlater røyk og lukt i luften.	Pass på at sensoren ikke er blokkert eller tilstoppet. Flytt enheten nærmere til den dårlige lukten. Bytt filtre etter behov.
Det virker som at enheten produserer lukt.	Bytt filtre etter behov.
Enheten lager en svak tikkelyd.	Dette indikerer at PlasmaTRUE™-funksjonen fungerer.
Enheten forstyrrer mottak av radio eller fjernsyn.	For å fjerne denne enheten utstråler radiofrekvensenergi, foreslår vi at du prøver en eller flere av følgende løsninger: <ul style="list-style-type: none"> For bedre mottak, juster TV-/radioantenne. Flytt enheten bort fra den berørte TV-en/radioen. Plugg enhetens strømkabel til et annet veggstøpsele enn det TV-en/radioens strømledning er tilkoblet.
True HEPA- og kullfilterindikatoren lyser etter utskifting av True HEPA- og/eller kullfilteret.	Gjenta instruksjonene for tilbakestilling av filterlyset fra oppsettet og under drift.
PlasmaTRUE™-ikonet lyser ikke.	Trykk og hold PlasmaTRUE™-ikonet i fem sekunder til enheten piper.
Feil filterskiftlys ble tilbakestillt.	I tilfelle av utilsiktet tilbakestilling av filter, gjenta prosedyren for tilbakestilling av filter fra oppsett og drift-delen innen 5 minutter av den utilsiktede tilbakestillingen. Filtertelleren og indikatoren vil gå tilbake til den tidligere statusen til tilbakestillingen.

POLSKI AeraMax™ DX5

Dziękujemy za dokonanie wyboru i zakup oczyszczacza powietrza Fellowes® AeraMax™. Przed użyciem proszę zapoznać się z niniejszą instrukcją.

ZAWARTOŚĆ OPAKOWANIA

- Oczyszczacz powietrza Fellowes® AeraMax™
- Filtr węglowy (1 filtr)
- Filtr True HEPA z technologią antymikrobową AeraSafe™ (1 filtr)
- Instrukcja użytkownika

DANE TECHNICZNE OCZYSZCZACZA POWIETRZA

Oczyszczacz powietrza AeraMax™ DX5	
Maksymalna powierzchnia pomieszczenia	8 m ²
Zasilanie	AC 220–240 V/50 Hz
Moc znamionowa	Niska 49 W, wysoka 68 W
Prędkość wentylatora	3 prędkości
Wyświetlacz	Ekran dotykowy
Rodzaj sterowania	Automatyczny/ręczny/Aera+™
Czujnik jakości powietrza	Tak
Filtry	1 filtr True HEPA z technologią antymikrobową AeraSafe™ 1 filtr węglowy
System czyszczący	Filtr węglowy/filtr True HEPA z technologią antymikrobową AeraSafe™/PlasmaTRUE™
Wydajność oczyszczania (CADR)	53 dym/ 51 pył/ 58 pyłki
Kolor	Biały
Dane techniczne filtrów	
Zamiennik filtra True HEPA	9287001
Zamiennik filtra węglowego	9324001

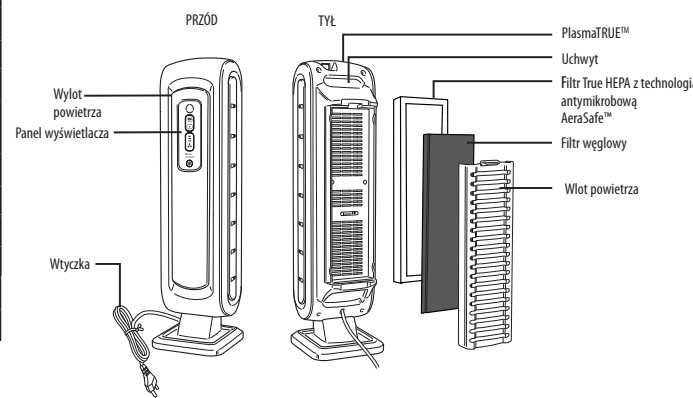
Aby uzyskać informacje o zamiennikach filtrów, odwiedź stronę www.fellowes.com

CECHY OCZYSZCZACZA POWIETRZA

- WYJĄTKOWO CICHE DZIAŁANIE:** Ten oczyszczacz powietrza Fellowes AeraMax™ jest wyposażony w wentylator o trzech prędkościach i niezwykle cichej pracy, doskonale do 24-godzinnego użytku.
- ŁATWA KONSERWACJA:** Aby uzyskać optymalną wydajność, filtr True HEPA należy wymieniać, gdy wskaźnik filtra HEPA osiągnie poziom czerwony lub co około 12 miesięcy w normalnych warunkach użytkowania. Filtr węglowy należy wymieniać, gdy wskaźnik filtra węglowego osiągnie poziom czerwony lub co około 3 miesiące.
- CZUJNIK AeraSmart™:** Ten oczyszczacz powietrza wyposażono w czujnik jakości powietrza, który automatycznie reguluje prędkość wentylatora, zapewniając czystość powietrza. Czystość powietrza wskazują niebieskie, bursztynowe i czerwone lampki.

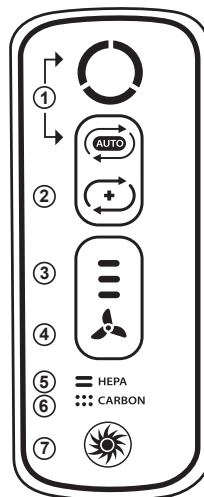
CZTEROSTOPNIOWY SYSTEM OCZYSZCZANIA

- FILTR WĘGLOWY:** Eliminuje zapachy i usuwa duże cząstki występujące w powietrzu.
- FILTR TRUE HEPA:** Wychwytuje 99,97% cząstek o rozmiarach do 0,3 mikrona, m.in. pyłki i inne alergeny, wirusy, mikroby, roztocza, zarodniki pleśni, łupież zwierzęcy i dym papierosowy.
- TECHNOLOGIA ANTYMIKROBOWA AeraSafe™:** Wbudowana ochrona przed zapachami powstającymi w wyniku gromadzenia się bakterii, pleśni i grzybów na filtrze True HEPA.
- TECHNOLOGIA PlasmaTRUE™:** Na ostatnim etapie oczyszczania technologia Fellowes® PlasmaTRUE™ tworzy zjonizowane pole, które pomaga w bezpiecznym usuwaniu zanieczyszczeń powietrza.



PANEL WYŚWIETLACZA/FUNKCJE

- CZUJNIK AeraSmart™:** Monitoruje jakość powietrza i automatycznie reguluje szybkość wentylatora, zapewniając czystość powietrza. Po włączeniu zasilania włączany jest domyślnie tryb automatyczny. W przypadku włączenia trybu ręcznego można w dowolnym momencie powrócić do trybu automatycznego, naciskając jego ikonę.
- TRYB Aera+™:** Zaprojektowany do użytku w szczytowym okresie alergii. Zwiększa szybkość filtrowania powietrza o 35% w porównaniu z trybem LOW wentylatora, usuwając z powietrza jeszcze więcej alergenów. Aby przełączyć się w tryb Aera+™, należy nacisnąć ikonę (☺). Aby powrócić do trybu automatycznego, należy ponownie nacisnąć ikonę (☺), aby wyłączyć tryb Aera+.
- WSKAŹNIK PRĘDKOŚCI WENTYLATORA:** Wskazuje aktualne ustawienie prędkości wentylatora: niska prędkość, średnia prędkość lub wysoka prędkość.
- RĘCZNA REGULACJA PRĘDKOŚCI WENTYLATORA** — Dotknij ikony wentylatora, aby ręcznie wybrać prędkość wentylatora.
- WSKAŹNIK WYMIANY FILTRA TRUE HEPA** — Bursztynowy i czerwony wskaźnik informują, kiedy należy wymienić filtr. Wskaźnik czerwony informuje o konieczności wymiany filtra. (W normalnych warunkach użytkowania zaleca się wymianienie filtra co dwanaście miesięcy.)
- WSKAŹNIK WYMIANY FILTRA WĘGLOWEGO** — Bursztynowy i czerwony wskaźnik informują o konieczności wymiany filtra. Wskaźnik czerwony informuje o konieczności wymiany filtra. (W normalnych warunkach użytkowania zaleca się wymianienie filtra co trzy miesiące.)
- TECHNOLOGIA PlasmaTRUE™** — Tworzy zjonizowane pole, które ułatwia bezpieczne usuwanie zanieczyszczeń powietrza.



CZUJNIK AeraSmart™

Wskaźnik jakości powietrza wskazuje poziom jakości powietrza.

- Wskaźnik niebieski informuje, że powietrze jest czyste.
- Wskaźnik bursztynowy informuje, że jakość powietrza jest niska.
- Wskaźnik czerwony informuje, że w powietrzu znajduje się duża ilość zanieczyszczeń.

USTAWIENIA PRĘDKOŚCI WENTYLATORA

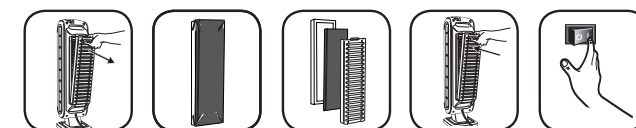


INSTRUKCJE BEZPIECZEŃSTWA/OSTRZEŻENIE

OSTRZEŻENIE: Należy postępować zgodnie z zaleceniami w tej instrukcji, aby zmniejszyć ryzyko porażenia prądem elektrycznym, zwarcia i/lub pożaru:

- Nie naprawiać ani nie modyfikować urządzenia, chyba że jest to wyraźnie zalecane w tej instrukcji. Wszystkie naprawy powinny być wykonywane przez wykwalifikowanego elektryka.
- Nie wkładać wtyczki na siłę do gniazdka sieciowego.
- Nie modyfikować wtyczki w żaden sposób. Jeżeli wtyczka nie pasuje do gniazdka, obrócić ją. Jeżeli wtyczka nadal nie pasuje, należy skontaktować się z wykwalifikowanym elektrykiem, który zamontuje właściwe gniazdko.
- Nie należy używać urządzenia, jeśli wtyczka lub kabel zasilania są uszkodzone lub jeśli połączenie z gniazdem ściennym jest niestabilne.
- Używać tylko zasilania prądem zmiennym o napięciu 220–240 V.
- Nie uszkadzać, nie łamać, nie zginać zbyt mocno, nie ciągnąć, nie skręcać, nie zwijać, nie powlekać, nie zaciskać, ani nie umieszczać ciężkich przedmiotów na przewodzie zasilającym.
- Okresowo usuwać kurz z wtyczki zasilającej. Zmniejszy to ryzyko gromadzenia się wilgoci, która zwiększa ryzyko porażenia prądem.
- Jeśli kabel zasilający jest uszkodzony, musi zostać wymieniony przez producenta, jego przedstawiciela lub inną wykwalifikowaną osobę w celu uniknięcia zagrożenia.
- Przed czyszczeniem urządzenia należy wyciągnąć wtyczkę z gniazdka zasilającego. Wyciągając wtyczkę chwycić ją za uchwyt. Nigdy nie wyciągać wtyczki ciągnąc za przewód.
- Jeśli urządzenie nie jest używane, należy wyciągnąć wtyczkę z gniazdka.
- Nie dotykać wtyczki mokrymi rękami.
- Nie używać urządzenia podczas korzystania ze środków owadobójczych wydzielających dym.
- Nie czyścić urządzenia za pomocą benzenu ani rozcieńczalnika. Nie rozpylać środków owadobójczych na urządzenie.
- Nie używać urządzenia w wilgotnych miejscach lub tam, gdzie urządzenie może zostać zawilgocone, np. w łazience.
- Nie wkładać palców lub innych przedmiotów do wlotu lub wylotu urządzenia.
- Nie używać urządzenia w pobliżu gazów łatwopalnych. Nie używać w pobliżu papierosów, kadzidełek lub innych żarzących się przedmiotów.
- Urządzenie nie usuwa tlenku węgla wydzielanego przez urządzenia grzewcze lub inne źródła.
- Nie zakrywać wlotowych i wylotowych otworów wentylacyjnych.
- Nie używać w pobliżu gorących przedmiotów, np. w pobliżu pieca. Nie używać w miejscach, w których urządzenie może mieć kontakt z parą wodną.
- Nie kłaść urządzenia na boku.
- Trzymać z dala od produktów powodujących powstawanie osadów olejowych np. frytkownicy.
- Do czyszczenia urządzenia nie używać żadnych detergentów.
- Nie uruchamiać urządzenia bez założonego filtra.
- Nie myć i nie używać ponownie filtra True HEPA.
- Nie układać kabla zasilającego pod dywanami ani nie przykrywać go nimi.
- Podczas przenoszenia urządzenia zawsze chwycić je za uchwyt.
- To urządzenie nie jest przeznaczone do użytku przez osoby (w tym dzieci) o ograniczonych zdolnościach fizycznych, zmysłowych i mentalnych oraz niewystarczającym doświadczeniu lub wiedzy, chyba że osoby te posiadają nadzór lub otrzymały instrukcje na temat korzystania z urządzenia od osoby odpowiedzialnej za ich bezpieczeństwo.
- Niniejsze urządzenie jest przeznaczone do użytku przez osoby w wieku od 8. lat oraz osoby o obniżonych możliwościach fizycznych, sensorycznych, umysłowych lub osoby nieposiadające odpowiedniego doświadczenia czy wiedzy, o ile osoby te pozostają pod nadzorem lub zostały przeszkolone w zakresie bezpiecznego użytkowania urządzenia i rozumieją zagrożenia związane z jego użytkowaniem. Dzieci nie powinny bawić się urządzeniem. Dzieci nie powinny czyścić ani konserwować urządzenia bez nadzoru.

INSTALACJA I OBSŁUGA



UWAGA: W celu osiągnięcia najlepszych wyników należy postępować zgodnie z tymi instrukcjami

Umieść urządzenie co najmniej 50 cm od ściany. Nie stawiaj urządzenia w przeciągach. Trzymaj zasłony z dala od urządzenia, ponieważ mogą one zakłócać wlot/wylot powietrza. Umieść urządzenie na stabilnym podłożu z zapewnionym swobodnym obiegiem powietrza.

- Zdejmij folię zabezpieczającą z panelu sterującego.
 - Naciśnij zaczep i wyciągnij panel tylny.
 - Zdejmij opakowanie filtrów. Umieść filtry ponownie w urządzeniu.
 - Włóż najpierw filtr True HEPA, a następnie filtr węglowy.
 - Wsuń całkowicie zaczepy dolne panelu, a następnie wsuń zaczep górny, tak aby usłyszeć kliknięcie.
 - Podłącz przewód zasilający do gniazdka elektrycznego.
 - Włącz urządzenie. Urządzenie wyda sygnał dźwiękowy.
- Przez pierwsze 4 minuty po włączeniu urządzenia wskaźniki migają, podczas gdy urządzenie dokonuje pomiaru jakości powietrza.

KONSERWACJA

CZYSZCZENIE:

Urządzenie należy czyścić w miarę potrzeb wycierając je suchą, miękką ściereczką. Uporczywe plamy można usunąć ciepłą, wilgotną ściereczką. Nie należy używać łatwo parujących płynów, takich jak benzen, rozcieńczalnik, ani proszku do szorowania, gdyż mogą one uszkodzić powierzchnię urządzenia. Utrzymywać urządzenie w czystości.

ROZWIĄZYWANIE PROBLEMÓW: Rozwiązania typowych problemów

Przed wezwaniem serwisu przejrzyj listę przedstawioną poniżej. Lista ta obejmuje zagadnienia, które nie są wynikiem wad materiałowych i wykonawczych.

PROBLEM	MOŻLIWE ROZWIĄZANIE
Urządzenie nie usuwa dymu i zapachów z powietrza.	Upewnij się, że czujnik nie został zablokowany lub zatkany. Przenieś urządzenie bliżej źródła zapachu. Wymień filtry, zależnie od potrzeb.
Urządzenie generuje zapach.	Wymień filtry, zależnie od potrzeb.
Z urządzenia dobywa się ciche tykanie.	Oznacza to, że funkcja PlasmaTRUE™ działa prawidłowo.
Urządzenie zakłóca odbiór radiowy lub telewizyjny.	Urządzenie promieniuje energią o częstotliwościach fal radiowych, w związku z czym zalecamy jedno z poniższych rozwiązań: - Aby uzyskać lepszy odbiór, zmień ustawienie anteny radiowej/telewizyjnej. - Umieść urządzenie z dala od odbiornika radiowego/telewizyjnego. - Podłącz przewód urządzenia do innego gniazdka niż przewód odbiornika radiowego/telewizyjnego.
Wskaźniki filtra True HEPA i filtra węglowego pozostają zapalone po wymianieniu filtra True HEPA lub filtra węglowego.	Powtórz procedurę resetowania filtra opisaną w sekcji Instalacja i obsługa.
Ikona PlasmaTRUE™ nie świeci się.	Dotknij i przytrzymaj ikonę PlasmaTRUE™ przez pięć sekund, aż urządzenie wyda sygnał dźwiękowy.
Zresetowano niewłaściwy wskaźnik wymiany filtra.	W przypadku niezaplannego zresetowania filtra należy powtórzyć procedurę resetowania filtra opisaną w sekcji Instalacja i obsługa w ciągu 5 minut od niezamierzonego resetu. Licznik i wskaźnik filtra powrócą do stanu sprzed resetu.

Благодарим вас за покупку воздухоочистителя Fellowes® AeraMax™. Внимательно прочтите данное руководство перед эксплуатацией.

СОДЕРЖАНИЕ КОМПЛЕКТА

- Воздухоочиститель Fellowes® AeraMax™
- Угольный фильтр (1 шт.)
- Фильтр True HEPA с антимикробной защитой AeraSafe™ (1 шт.)
- Руководство для оператора

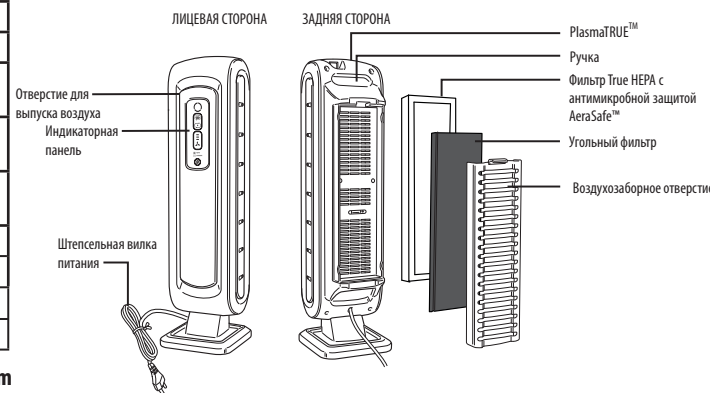
ХАРАКТЕРИСТИКИ ВОЗДУХООЧИСТИТЕЛЯ

Воздухоочиститель AeraMax™ DX5	
Площадь охвата в помещении	8 м²
Питание	220–240 В (перем. тока)/50 Гц
Номинальная мощность	Низкая — 49 Вт, высокая — 68 Вт
Скорость вентилятора	3 скорости
Дисплей	Сенсорный экран
Тип регулирования	Авто / вручную / Aera+™
Датчик качества воздуха	Да
Фильтры	1 фильтр True HEPA с антимикробной защитой AeraSafe™ 1 угольный фильтр
Система очистки	Угольный фильтр / фильтр True HEPA с антимикробной защитой AeraSafe™ / PlasmaTRUE™
Скорость подачи очищенного воздуха (CADR)	53 — дым / 51 — пыль / 58 — пыльца
Цвет	Белый
Характеристики фильтра	
Сменный фильтр True HEPA	9287001
Сменный угольный фильтр	9324001

Для получения информации о сменных фильтрах посетите веб-сайт www.fellowes.com

ЧЕТЫРЕХЭТАПНАЯ СИСТЕМА ОЧИСТКИ

- УГОЛЬНЫЙ ФИЛЬТР.** Удаляет запахи и задерживает крупные частицы, переносимые по воздуху.
- ФИЛЬТР TRUE HEPA.** Задерживает 99,97 % частиц и примесей (до 0,3 микрона), включая пыльцу и другие аллергены, вирусы, микробы, пылевых клещей, споры плесени, перхоть домашних животных и сигаретный дым.
- АНТИМИКРОБНАЯ ЗАЩИТА AeraSafe™.** Встроенная защита от роста бактерий, вызывающих появление запаха, плесени и грибка на фильтре True HEPA.
- ТЕХНОЛОГИЯ PlasmaTRUE™.** На последнем этапе очистки технология Fellowes® PlasmaTRUE™ создает ионизированное поле для безопасного удаления переносимых по воздуху загрязняющих веществ.



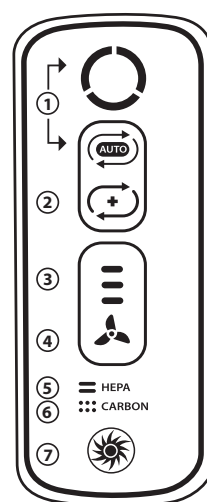
ОСОБЕННОСТИ ВОЗДУХООЧИСТИТЕЛЯ

- СВЕРХТИХАЯ ЭКСПЛУАТАЦИЯ.** Данный воздухоочиститель Fellowes AeraMax™ оснащен трехскоростным вентилятором, отличающимся сверхтихой работой, что идеально подходит для круглосуточной эксплуатации.
- ПРОСТОЕ ТЕХНИЧЕСКОЕ ОБСЛУЖИВАНИЕ.** Для обеспечения оптимальной производительности меняйте фильтр True HEPA, когда индикатор срока службы фильтра HEPA достигает красного уровня, или через каждые 12 месяцев при нормальных условиях эксплуатации. Меняйте угольный фильтр, когда индикатор фильтра загорается красным цветом, или приблизительно через каждые 3 месяца.
- ДАТЧИК AeraSmart™.** Данный воздухоочиститель оснащен датчиком качества воздуха, который автоматически регулирует скорость вентилятора для очищения воздуха. Синий, желтый и красный цвета указывают на степень чистоты воздуха.

- СВЕТОВЫЕ ИНДИКАТОРЫ ЗАМЕНЫ ФИЛЬТРОВ.** Указывают на необходимость замены фильтра True HEPA и угольного фильтра в зависимости от условий эксплуатации.
- ТРИ СКОРОСТИ.** От НИЗКОЙ для тихой энергосберегающей эксплуатации до ВЫСОКОЙ для наиболее эффективной очистки.
- РЕЖИМ Aera+™.** Предназначен для работы при максимальной нагрузке в сезон аллергии. Повышает скорость циркуляции воздуха на 35 % в сравнении с режимом низкой скорости вращения вентилятора для удаления еще большего количества аллергенов из воздуха.

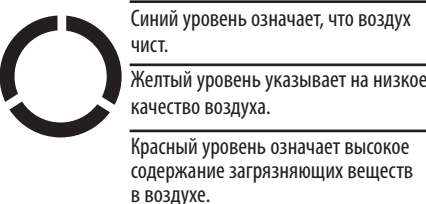
ИНДИКАТОРНАЯ ПАНЕЛЬ/ФУНКЦИИ

- ДАТЧИК AeraSmart™.** Контролирует состояние воздуха и автоматически регулирует скорость вентилятора для очищения воздуха. По умолчанию устройство установлено в автоматический режим работы при его первом включении. Если устройство установлено в ручной режим, вы можете включить автоматический режим, нажав на значок AUTO.
- РЕЖИМ Aera+™.** Предназначен для работы при максимальной нагрузке в сезон аллергии. Повышает скорость циркуляции воздуха на 35 % в сравнении с режимом низкой скорости вращения вентилятора для удаления еще большего количества аллергенов из воздуха. Для переключения в режим Aera+™ нажмите на значок (☺). Чтобы вернуться в автоматический режим, нажмите на значок (☺) еще раз для отключения.
- ИНДИКАТОР СКОРОСТИ ВЕНТИЛЯТОРА.** Показывает текущую скорость вентилятора: низкую, среднюю или высокую.
- РУЧНАЯ РЕГУЛИРОВКА СКОРОСТИ ВЕНТИЛЯТОРА.** Чтобы вручную изменить скорость вентилятора, нажмите на значок вентилятора.
- ИНДИКАТОР ЗАМЕНЫ ФИЛЬТРА TRUE HEPA.** Желтый и красный цвета индикатора указывают на необходимость замены фильтра. Красный цвет индикатора указывает на необходимость замены фильтра. (Рекомендуется менять фильтр через каждые двенадцать месяцев при нормальных условиях эксплуатации.)
- ИНДИКАТОР ЗАМЕНЫ УГОЛЬНОГО ФИЛЬТРА.** Желтый и красный цвета индикатора указывают на необходимость замены фильтра. Красный цвет индикатора указывает на необходимость замены фильтра. (Рекомендуется менять фильтр через каждые три месяца при нормальных условиях эксплуатации.)
- ТЕХНОЛОГИЯ PlasmaTRUE™.** Создает ионизированное поле для безопасного удаления переносимых по воздуху загрязняющих веществ.



ДАТЧИК AeraSmart™

Световой индикатор качества воздуха показывает уровень качества воздуха.



УРОВНИ СКОРОСТИ ВЕНТИЛЯТОРА

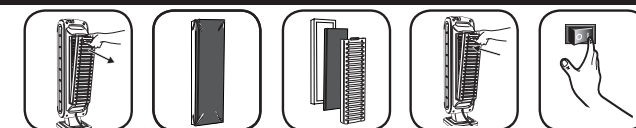


ИНСТРУКЦИИ ПО ТЕХНИКЕ БЕЗОПАСНОСТИ/ПРЕДУПРЕЖДЕНИЕ

ПРЕДУПРЕЖДЕНИЕ. Следуйте указаниям, приведенным в данном руководстве, чтобы уменьшить опасность поражения электрическим током, возникновения короткого замыкания и/или пожара.

- Запрещается ремонтировать или модифицировать данное устройство за исключением случаев, конкретно рекомендованных в данном руководстве. Любой ремонт должен выполняться квалифицированным техническим специалистом.
- Не вставляйте вилку в электрическую розетку с усилением.
- Запрещается видоизменять вилку любым образом. Если вилка не входит в розетку, переверните ее. Если вилка не входит в розетку и в этом случае, обратитесь к квалифицированному техническому специалисту для установки правильной розетки.
- Запрещается эксплуатировать устройство с поврежденным шнуром питания или вилкой, а также при неплотном подключении к розетке.
- Используйте только сеть переменного тока с напряжением 220–240 В.
- Запрещается повреждать, разрывать, с усилием изгибать, вытягивать, скручивать, связывать в узлы, накрывать, сдавливать шнур питания или помещать на него тяжелые предметы.
- Периодически стирайте пыль со штепсельной вилки. Это уменьшит вероятность скапливания влаги, которая повышает опасность поражения электрическим током.
- Если шнур питания поврежден, то во избежание опасности заменять его должен производитель, его сервисный агент или лицо, обладающее аналогичной квалификацией.
- Извлекайте штепсельную вилку из розетки перед очисткой устройства. Извлекая штепсельную вилку, удерживайте ее за штепель. Запрещается тянуть за шнур питания.
- Извлекайте штепсельную вилку из розетки, когда устройство не эксплуатируется.
- Запрещается прикасаться к штепсельной вилке мокрыми руками.
- Запрещается эксплуатировать устройство в помещении инсектицидов, выделяющих дым.
- Запрещается очищать устройство с помощью бензола или разбавителя для краски. Запрещается распылять инсектициды на устройство.
- Запрещается использовать устройство во влажных условиях или там, где устройство может намочить, например в ванной.
- Запрещается вставлять пальцы или посторонние предметы в воздухозаборник или отверстие для выпуска воздуха.
- Запрещается использовать устройство вблизи огнеопасных газов. Запрещается использовать устройство вблизи сигарет, курительниц или других искрящих объектов.
- Устройство не выводит угарный газ, выделяемый нагревательными приборами или другими источниками.
- Запрещается перекрывать входные и выходные отверстия.
- Запрещается использовать устройство вблизи горячих объектов, например кухонной плиты. Запрещается использовать устройство в местах его возможного контакта с паром.
- Запрещается использовать устройство в положении на боку.
- Держите устройство вдали от изделий, содержащих остатки масла, например от фритюрницы.
- Запрещается использовать моющие средства для чистки устройства.
- Запрещается использовать устройство без фильтра.
- Запрещается мыть и повторно использовать фильтр True HEPA.
- Запрещается накрывать шнур питания коврами.
- При перемещении устройства всегда поднимайте его за ручку.
- Данное устройство не предназначено для использования лицами (в том числе детьми) с ограниченными физическими, сенсорными или психическими возможностями, а также лицами, не обладающими необходимым опытом и знаниями, если при использовании устройства они не находятся под наблюдением или руководством лица, отвечающего за их безопасность.
- Данное устройство разрешено использовать детям в возрасте 8 лет и старше, лицам с ограниченными физическими, сенсорными или психическими возможностями, а также лицам, не обладающим необходимым опытом и знаниями, если при использовании устройства они находятся под присмотром или ознакомлены с техникой безопасности и осознают возможную опасность. Не позволяйте детям играть с устройством. Не позволяйте детям чистить и разбирать устройство без присмотра.

УСТАНОВКА И ЭКСПЛУАТАЦИЯ



ПРИМЕЧАНИЕ. Для достижения наилучших результатов следуйте приведенным ниже указаниям

Установите устройство на расстоянии не менее 50 см от стены. Установите устройство вдали от продуваемых зон. Занавески должны находиться вдали от устройства, поскольку они могут помешать забору или выпуску воздуха. Установите устройство на устойчивой поверхности с хорошей циркуляцией воздуха.

- Снимите защитную пленку с панели управления.
- Нажмите на защелку и снимите заднюю панель.
- Достаньте фильтры из мешка. Поместите фильтры обратно в устройство.
- Вставьте сначала фильтр True HEPA, затем угольный фильтр.
- Сначала до конца вставьте нижние защелки панели фильтров, затем вставьте верхнюю до щелчка.
- Подключите шнур питания к настенной розетке.
- Включите устройство. Устройство издаст звуковой сигнал.

В течение первых 4 минут после включения индикаторы будут мигать, пока устройство измеряет качество воздуха.

УХОД И ТЕХНИЧЕСКОЕ ОБСЛУЖИВАНИЕ

ЧИСТКА

Очищайте устройство по мере необходимости, протирая его сухой, мягкой тканью; для трудновыводимых пятен используйте теплую, влажную ткань. Запрещается использовать для чистки летучие жидкости, такие как бензол, разбавитель для краски или чистящий порошок, поскольку они могут повредить поверхность устройства. Берегите устройство от влаги.

ПОИСК И УСТРАНЕНИЕ НЕИСПРАВНОСТЕЙ. Решения для наиболее частых проблем.

Ознакомьтесь со следующим списком перед тем, как звонить в центр обслуживания. В данном списке перечислены проблемы, не являющиеся следствием дефектов материалов или производственных дефектов.

ПРОБЛЕМА	ВОЗМОЖНОЕ РЕШЕНИЕ
Устройство оставляет дым и запахи в воздухе.	Убедитесь в том, что датчик не перекрыт и не загрязнен. Переместите устройство ближе к проблемным запахам. При необходимости замените фильтры.
Кажется, устройство выделяет запахи.	При необходимости замените фильтры.
Устройство издает тихий тикающий звук.	Это указывает на активный режим функции PlasmaTRUE™.
Устройство вызывает помехи для приема радио- или телевизионных сигналов.	Поскольку данное устройство излучает радиочастотную энергию, попробуйте выполнить одно или несколько из следующих действий. - Для улучшения приема сигнала настройте радио/телевизионную антенну. - Отодвиньте устройство от телевизора/радиоприемника, работающего с помехами. - Включите шнур питания устройства в сетевую розетку, к которой не подключены телевизор/радиоприемник.
Индикаторы фильтра True HEPA и угольного фильтра продолжают гореть после замены фильтра True HEPA и/или угольного фильтра.	Повторите указания по сбросу световых индикаторов фильтра из раздела «Установка и эксплуатация».
Значок PlasmaTRUE™ не горит.	Нажмите и удерживайте значок PlasmaTRUE™ в течение пяти секунд, пока устройство не издаст звуковой сигнал.
Сброшен неправильный световой индикатор замены фильтра.	В случае непреднамеренного сброса фильтра повторите процедуру его сброса из раздела «Установка и эксплуатация» в течение 5 минут после непреднамеренного сброса. Счетчик и индикатор фильтра вернуться в предшествующее сбросу состояние.

ΕΛΛΗΝΙΚΑ AeraMax™ DX5

Σας ευχαριστούμε για την αγορά του Ιονιστή Fellowes® AeraMax™. Διαβάστε το παρόν εγχειρίδιο προσεκτικά πριν από τη χρήση της μονάδας.

ΠΕΡΙΕΧΟΜΕΝΑ ΣΥΣΚΕΥΑΣΙΑΣ

- Ιονιστής Fellowes® AeraMax™
- Φίλτρο άνθρακα (1 φίλτρο)
- Φίλτρο True HEPA με αντιμικροβιακή επεξεργασία AeraSafe™ (1 φίλτρο)
- Εγχειρίδιο χρήσης

ΧΑΡΑΚΤΗΡΙΣΤΙΚΑ ΙΟΝΙΣΤΗ

Ιονιστής AeraMax™ DX5	
Καλυπτόμενος χώρος	8 m ²
Παροχή ρεύματος	AC 220-240V/50Hz
Ισχύς	Χαμηλή 49W, Υψηλή 68W
Ταχύτητα ανεμιστήρα	3 ταχύτητες
Οθόνη	Οθόνη αφής
Τύπος ελέγχου	Αυτόματος/Χειροκίνητος/Aera+™
Αισθητήρας ποιότητας αέρα	Ναι
Φίλτρα	1 φίλτρο True HEPA με αντιμικροβιακή επεξεργασία AeraSafe™ 1 φίλτρο άνθρακα
Σύστημα Καθαρισμού	Φίλτρο άνθρακα/Φίλτρο True HEPA με αντιμικροβιακή επεξεργασία AeraSafe™/PlasmaTRUE™
CADR	53 Καπνός/ 51 Σκόνη/ 58 Γύρη
Χρώμα	Λευκό
Χαρακτηριστικά φίλτρου	
Ανταλλακτικό φίλτρο True HEPA	9287001
Ανταλλακτικό φίλτρο άνθρακα	9324001

Για τα ανταλλακτικά φίλτρα, επισκεφθείτε τον ιστότοπο: www.fellowes.com

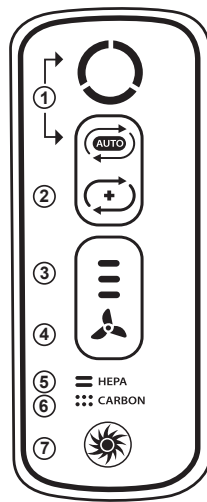
ΔΥΝΑΤΟΤΗΤΕΣ ΤΟΥ ΙΟΝΙΣΤΗ

- **ΕΞΑΙΡΕΤΙΚΑ ΑΘΟΡΥΒΗ ΛΕΙΤΟΥΡΓΙΑ:** Αυτός ο ιονιστής Fellowes AeraMax™ διαθέτει έναν ανεμιστήρα τριών ταχυτήτων με εξαιρετικά αθόρυβη λειτουργία και αυτό τον καθιστά ιδανικό για 24ωρη χρήση.
- **ΕΥΚΟΛΗ ΣΥΝΤΗΡΗΣΗ:** Για βέλτιστη απόδοση, αντικαθιστάτε το φίλτρο True HEPA όταν η ένδειξη του φίλτρου HEPA έχει αλλάξει σε κόκκινο χρώμα ή περίπου κάθε 12 μήνες υπό φυσιολογικές συνθήκες χρήσης. Αλλάξτε το φίλτρο άνθρακα όταν η ένδειξη του φίλτρου άνθρακα έχει αλλάξει σε κόκκινο χρώμα ή περίπου κάθε 3 μήνες.
- **ΑΙΣΘΗΤΗΡΑΣ AeraSmart™:** Αυτός ο ιονιστής διαθέτει έναν αισθητήρα ποιότητας αέρα, ο οποίος ρυθμίζει αυτόματα την ταχύτητα του ανεμιστήρα για να διατηρείται καθαρός ο αέρας στο χώρο σας. Οι λυχνίες με μπλε, πορτοκαλί και κόκκινο χρώμα υποδεικνύουν την καθαρότητα του αέρα στο χώρο σας.

- **ΕΝΔΕΙΚΤΙΚΕΣ ΛΥΧΝΙΕΣ ΑΝΤΙΚΑΤΑΣΤΑΣΗΣ ΦΙΛΤΡΟΥ:** Υποδεικνύουν πότε χρειάζεται αντικατάσταση του φίλτρου True HEPA και του φίλτρου άνθρακα, ανάλογα με τη χρήση.
- **ΡΥΘΜΙΣΗ ΤΡΙΩΝ ΤΑΧΥΤΗΤΩΝ:** Από ΧΑΜΗΛΗ για αθόρυβη, χαμηλής κατανάλωσης λειτουργία έως ΥΨΗΛΗ για τον πιο αποτελεσματικό καθαρισμό.
- **ΛΕΙΤΟΥΡΓΙΑ Aera+™:** Έχει σχεδιαστεί για ακραίες συνθήκες εποχικών αλλεργιών. Αυξάνει το ρυθμό του κύκλου διακίνησης αέρα κατά 35% σε συνάρτηση με τη λειτουργία χαμηλής ρύθμισης του ανεμιστήρα για την αφαίρεση περισσότερων αλλεργιογόνων από τον αέρα του χώρου σας.

ΟΘΟΝΗ/ΛΕΙΤΟΥΡΓΙΕΣ

1. **ΑΙΣΘΗΤΗΡΑΣ AeraSmart™:** Ελέγχει την ποιότητα του αέρα και ρυθμίζει αυτόματα την ταχύτητα του ανεμιστήρα για να διατηρείται καθαρός ο αέρας στο χώρο σας. Η μονάδα ρυθμίζεται από προεπιλογή στην αυτόματη λειτουργία κατά την πρώτη ενεργοποίηση. Αν βρίσκεται στη χειροκίνητη λειτουργία, μπορείτε να επιστρέψετε στην αυτόματη λειτουργία οποιαδήποτε στιγμή πατώντας το εικονίδιο αυτόματης λειτουργίας.
2. **ΛΕΙΤΟΥΡΓΙΑ Aera+™:** Έχει σχεδιαστεί για ακραίες συνθήκες εποχικών αλλεργιών. Αυξάνει το ρυθμό του κύκλου διακίνησης αέρα κατά 35% σε συνάρτηση με τη λειτουργία χαμηλής ρύθμισης του ανεμιστήρα για την αφαίρεση περισσότερων αλλεργιογόνων από τον αέρα του χώρου σας. Αλλάξτε στη λειτουργία Aera+™ πατώντας το εικονίδιο (AUTO). Για να επανέρθετε στην αυτόματη λειτουργία, πατήστε το εικονίδιο (AUTO) ακόμα μία φορά για απενεργοποίηση.
3. **ΕΝΔΕΙΞΗ ΤΑΧΥΤΗΤΑΣ ΑΝΕΜΙΣΤΗΡΑ:** Εμφανίζει την τρέχουσα ρύθμιση ταχύτητας του ανεμιστήρα: χαμηλή, μεσαία ή υψηλή ταχύτητα.
4. **ΧΕΙΡΟΚΙΝΗΤΗ ΡΥΘΜΙΣΗ ΤΑΧΥΤΗΤΑΣ ΑΝΕΜΙΣΤΗΡΑ** - Πατήστε το εικονίδιο ανεμιστήρα για να επιλέξετε χειροκίνητα την ταχύτητα του ανεμιστήρα.
5. **ΕΝΔΕΙΞΗ ΑΛΛΑΓΗΣ ΤΟΥ ΦΙΛΤΡΟΥ TRUE HEPA** - Οι πορτοκαλί και κόκκινες λυχνίες υποδεικνύουν πότε πρέπει να αντικαταστήσετε το φίλτρο. Η κόκκινη ενδεικτική λυχνία θα υποδείξει πότε πρέπει να αντικαταστήσετε το φίλτρο. (Συνιστάται να αντικαθιστάτε το φίλτρο κάθε δώδεκα μήνες, υπό φυσιολογικές συνθήκες χρήσης.)
6. **ΕΝΔΕΙΞΗ ΑΛΛΑΓΗΣ ΤΟΥ ΦΙΛΤΡΟΥ ΑΝΘΡΑΚΑ** - Οι πορτοκαλί και κόκκινες λυχνίες υποδεικνύουν πότε πρέπει να αντικαταστήσετε το φίλτρο. Η κόκκινη ενδεικτική λυχνία θα υποδείξει πότε πρέπει να αντικαταστήσετε το φίλτρο. (Συνιστάται να αντικαθιστάτε το φίλτρο κάθε τρεις μήνες, υπό φυσιολογικές συνθήκες χρήσης.)
7. **ΤΕΧΝΟΛΟΓΙΑ PlasmaTRUE™** - Δημιουργεί ένα ιονισμένο πεδίο που βοηθά την ασφαλή απομάκρυνση των αερομεταφερόμενων μολυσματικών ουσιών.



ΑΙΣΘΗΤΗΡΑΣ AeraSmart™

Η ένδειξη ποιότητας του αέρα δείχνει τα επίπεδα της ποιότητας αέρα.

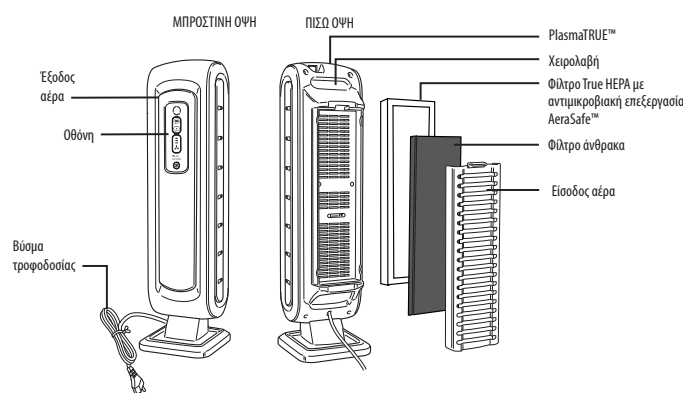
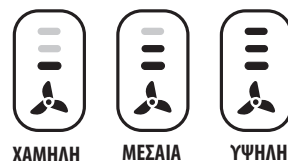


Το μπλε επίπεδο υποδεικνύει ότι ο αέρας είναι καθαρός.

Το πορτοκαλί επίπεδο υποδεικνύει χαμηλής ποιότητας αέρα.

Το κόκκινο επίπεδο υποδεικνύει μεγάλη ποσότητα μολυσματικών ουσιών στον αέρα.

ΡΥΘΜΙΣΕΙΣ ΤΑΧΥΤΗΤΑΣ ΑΝΕΜΙΣΤΗΡΑ

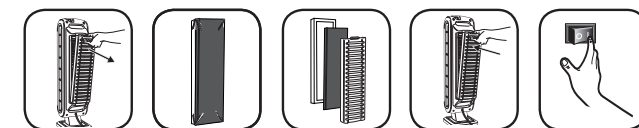


ΟΔΗΓΙΕΣ ΑΣΦΑΛΕΙΑΣ/ΠΡΟΕΙΔΟΠΟΙΗΣΗ

ΠΡΟΕΙΔΟΠΟΙΗΣΗ: Ακολουθείτε τις οδηγίες σε αυτό το εγχειρίδιο για να μειώσετε τον κίνδυνο ηλεκτροπληξίας, βραχυκυκλώματος ή/και πυρκαγιάς:

- Μην επισκευάζετε ή τροποποιείτε τη μονάδα, εκτός και αν συγκεκριμένα συνιστάται στο παρόν εγχειρίδιο. Όλες οι επισκευές θα πρέπει να εκτελούνται από εξουσιοδοτημένο τεχνικό.
- Μην πιέζετε με βία το βύσμα μέσα σε ηλεκτρική πρίζα.
- Μην μετατρέπετε με κανέναν τρόπο το βύσμα. Αν το βύσμα δεν ταιριάζει στην πρίζα, αντιστρέψτε το βύσμα. Αν παρόλα αυτά δεν ταιριάζει, επικοινωνήστε με έναν εξειδικευμένο τεχνικό για να εγκαταστήσει μια κατάλληλη πρίζα.
- Μην χρησιμοποιείτε τη μονάδα αν το καλώδιο τροφοδοσίας ή η πρίζα είναι ελαττωματικά ή η σύνδεση στην πρίζα τοίχου είναι χαλαρή.
- Χρησιμοποιείτε μόνο AC 220-240V.
- Μην καταστρέψετε, σπάτε, λυγίζετε με βία, τραβάτε, συστρέψετε, συνενώνετε, επικαλύπτετε, σφίγγετε ή τοποθετείτε βαριά αντικείμενα πάνω στο καλώδιο τροφοδοσίας.
- Απομακρύνετε κατά διαστήματα τη σκόνη από το βύσμα τροφοδοσίας. Έτσι θα περιοριστούν οι πιθανότητες να συγκεντρωθεί υγρασία, η οποία αυξάνει τον κίνδυνο ηλεκτροπληξίας.
- Αν το καλώδιο παροχής παρουσιάζει βλάβη, πρέπει να αντικατασταθεί από τον κατασκευαστή, τον εκπαιδευμένο προσωπικό ή αντίστοιχα ειδικευμένα άτομα, για την αποφυγή κινδύνου.
- Αφαιρέστε το βύσμα τροφοδοσίας από την πρίζα πριν καθαρίσετε τη μονάδα. Όταν αφαιρείτε το βύσμα τροφοδοσίας, πιάνετε το ίδιο το βύσμα και ποτέ από το καλώδιό του.
- Αφαιρέστε το βύσμα τροφοδοσίας από την πρίζα όταν η μονάδα δεν χρησιμοποιείται.
- Μην πιάνετε το βύσμα τροφοδοσίας με βρεγμένα χέρια.
- Μην λειτουργείτε τη μονάδα όταν χρησιμοποιείτε εντομοκτόνα εσωτερικού χώρου που δημιουργούν καπνό.
- Μην καθαρίζετε τη μονάδα με βενζίνη ή αρωματικό χρώματος. Μην ψεκάζετε εντομοκτόνα επάνω ή μέσα στη μονάδα.
- Μην χρησιμοποιείτε τη μονάδα όπου υπάρχει υγρασία ή όπου η μονάδα μπορεί να βραχεί, όπως μέσα σε λουτρό.
- Μην εισάγετε δάχτυλα ή ξένα αντικείμενα στην είσοδο ή έξοδο του αέρα.

ΡΥΘΜΙΣΗ ΚΑΙ ΛΕΙΤΟΥΡΓΙΑ



ΣΗΜΕΙΩΣΗ: Ακολουθήστε αυτές τις οδηγίες για βέλτιστα αποτελέσματα

Τοποθετήστε τη μονάδα σε απόσταση τουλάχιστον ½ μέτρο από τον τοίχο. Κρατήστε τη μονάδα μακριά από χώρους με ρεύματα. Κρατήστε τη μονάδα μακριά από κουρτίνες, διότι μπορεί να παρεμποδίζουν την είσοδο/έξοδο αέρα. Τοποθετήστε τη μονάδα σε μια σταθερή επιφάνεια με μεγάλη κυκλοφορία αέρα.

1. Αφαιρέστε την προστατευτική μεμβράνη από τον πίνακα ελέγχου.
2. Συμπιέστε τη γλωττίδα και τραβήξτε προς τα έξω το πίσω πλαίσιο.
3. Αφαιρέστε τη συσκευασία από τα φίλτρα. Τοποθετήστε τα φίλτρα πίσω στη μονάδα.
4. Τοποθετήστε πρώτα το φίλτρο True HEPA και μετά το φίλτρο άνθρακα.
5. Εισάγετε πλήρως πρώτα τις κάτω γλωττίδες του πλαισίου φίλτρου και μετά εισάγετε την επάνω γλωττίδα μέχρι να ακούσετε ένα κλικ.
6. Συνδέστε το καλώδιο τροφοδοσίας σε μια πρίζα.
7. Ενεργοποιήστε τη μονάδα. Η μονάδα εκπέμπει έναν ήχο μπιπ. Μετά την ενεργοποίηση της μονάδας, οι ενδεικτικές λυχνίες θα αναβοσβήνουν περίπου για τα 4 πρώτα λεπτά ενώ η μονάδα μετρά την ποιότητα αέρα.

ΦΡΟΝΤΙΔΑ ΚΑΙ ΣΥΝΤΗΡΗΣΗ

ΚΑΘΑΡΙΣΜΟΣ:

Καθαρίζετε τη μονάδα όταν είναι απαραίτητο, σκουπίζοντας με ένα στεγνό και μαλακό πανί. Για επίμονους λεκέδες, χρησιμοποιήστε ένα χλιαρό, νωπό πανί. Μην χρησιμοποιείτε πτηνικά υγρά όπως π.χ. βενζίνη, αρωματικό χρώματος ή σκόνη λείανσης, διότι ενδέχεται να καταστρέψουν την επιφάνεια της μονάδας. Κρατήστε στεγνή τη μονάδα.

ΕΠΙΛΥΣΗ ΠΡΟΒΛΗΜΑΤΩΝ: Λύσεις σε συνηθισμένα προβλήματα

Διαβάστε αυτή τη λίστα προτού καλέσετε το τμήμα εξυπηρέτησης. Αυτή η λίστα καλύπτει προβλήματα τα οποία δεν οφείλονται σε ελαττώματα των υλικών ή των εργατικών.

ΠΡΟΒΛΗΜΑ:	ΠΙΘΑΝΗ ΛΥΣΗ:
Η μονάδα αφήνει καπνό και οσμές στον αέρα.	Βεβαιωθείτε ότι ο αισθητήρας δεν είναι μπλοκαρισμένος ή δεν φράσσεται. Μετακινήστε τη μονάδα πιο κοντά στις ενοχλητικές οσμές. Αντικαταστήστε τα φίλτρα όταν χρειάζεται.
Η μονάδα φαίνεται να εκλύει οσμές.	Αντικαταστήστε τα φίλτρα όταν χρειάζεται.
Η μονάδα εκπέμπει έναν αδύναμο ήχο κτύπου.	Αυτό υποδεικνύει ότι η λειτουργία PlasmaTRUE™ είναι ενεργή.
Η μονάδα δημιουργεί παρεμβολές στη ραδιοφωνική ή τηλεοπτική λήψη.	Επειδή αυτή η μονάδα εκπέμπει ενέργεια ραδιοσυχνότητας, σας συνιστούμε να δοκιμάσετε ένα ή περισσότερα από τα παρακάτω: <ul style="list-style-type: none"> - Για καλύτερη λήψη, ρυθμίστε την κεραία τηλεόρασης/ραδιοφώνου. - Απομακρύνετε τη μονάδα από την επηρεαζόμενη συσκευή τηλεόρασης/ραδιοφώνου. - Συνδέστε το καλώδιο τροφοδοσίας της μονάδας σε μια πρίζα διαφορετική από αυτή που είναι συνδεδεμένο το καλώδιο τηλεόρασης/ραδιοφώνου.
Οι ενδείξεις για το φίλτρο True HEPA και το φίλτρο άνθρακα παραμένουν αναμμένες μετά την αντικατάσταση του φίλτρου True HEPA ή/και του φίλτρου άνθρακα.	Επαναλάβετε τις οδηγίες για την επαναφορά της ενδεικτικής λυχνίας φίλτρου από την ενότητα "Ρύθμιση και λειτουργία".
Το εικονίδιο PlasmaTRUE™ δεν είναι αναμμένο.	Πατήστε παρατεταμένα το εικονίδιο PlasmaTRUE™ για πέντε δευτερόλεπτα μέχρι η μονάδα να εκπέμψει έναν ήχο μπιπ.
Έγινε επαναφορά λανθασμένης ενδεικτικής λυχνίας για την αντικατάσταση φίλτρου.	Στην περίπτωση ακούσιων επαναφορών της ενδεικτικής λυχνίας φίλτρου, μέσα σε πέντε λεπτά επαναλάβετε τη διαδικασία επαναφοράς που περιγράφεται στην ενότητα "Ρύθμιση και λειτουργία". Ο μετρητής και η ένδειξη φίλτρου θα επιστρέψουν στην κατάσταση που ήταν πριν την επαναφορά.

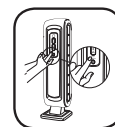
- Μην χρησιμοποιείτε τη μονάδα κοντά σε εύφλεκτα αέρια. Μην χρησιμοποιείται κοντά σε τσιγάρα, θυμιάματα ή άλλα στοιχεία που δημιουργούν σπινθήρες.
- Η μονάδα δεν αφαιρεί το μονοξείδιο του άνθρακα που εκλύεται από θερμαντικές συσκευές ή άλλες πηγές.
- Μην φράζετε τα ανοίγματα εισαγωγής ή εξαγωγής αέρα.
- Μην χρησιμοποιείται κοντά σε θερμά αντικείμενα, όπως θερμάστρες. Μην χρησιμοποιείται όπου η μονάδα μπορεί να έρθει σε επαφή με ατμό.
- Μην χρησιμοποιείτε τη μονάδα όταν βρίσκεται στο πλάι.
- Κρατήστε μακριά από προϊόντα που δημιουργούν ελαϊώδη κατάλοιπα, όπως φριτζά.
- Μην χρησιμοποιείτε απορρυπαντικό για να καθαρίσετε τη μονάδα.
- Μην λειτουργείτε τη μονάδα χωρίς φίλτρο.
- Μην πλένετε και μην επαναχρησιμοποιείτε το φίλτρο True HEPA.
- Μην περνάτε το καλώδιο τροφοδοσίας κάτω από χαλιά ή μην το καλύπτετε με ριχτάρι.
- Κατά τη μετακίνηση του μηχανήματος, να το ανασκώνετε πάντα χρησιμοποιώντας τη λαβή.
- Αυτή η συσκευή δεν προορίζεται για χρήση από άτομα (συμπεριλαμβανομένων και παιδιών) με μειωμένες σωματικές, αισθητηριακές ή διανοητικές ικανότητες ή έλλειψη εμπειρίας και γνώσης, εφόσον έχουν τύχει επιβλεψής ή καθοδήγησης σχετικά με τη χρήση της συσκευής από ένα άτομο που είναι υπεύθυνο για την ασφαλεία τους.
- Αυτή η συσκευή μπορεί να χρησιμοποιηθεί από παιδιά ηλικίας από 8 ετών και άνω και από άτομα με μειωμένες σωματικές, αισθητηριακές ή διανοητικές ικανότητες ή έλλειψη εμπειρίας και γνώσης, εφόσον έχουν τύχει επιβλεψής ή καθοδήγησης σχετικά με τη χρήση της συσκευής με ασφαλή τρόπο καταναλώντας τους κινδύνους που υπάρχουν. Τα παιδιά δεν πρέπει να παίζουν με αυτή τη συσκευή. Ο καθαρισμός και η συντήρηση από τον χρήστη δεν θα πρέπει να γίνεται από παιδιά χωρίς επίβλεψη.

ΑΝΤΙΚΑΤΑΣΤΑΣΗ ΦΙΛΤΡΟΥ:

Οι ενδεικτικές λυχνίες αντικατάστασης φίλτρων θα ανάψουν όταν θα χρειαστεί αντικατάσταση του φίλτρου True HEPA ή/και του φίλτρου άνθρακα. Το χρονικό διάστημα αντικατάστασης ποικίλλει ανάλογα με τις ώρες χρήσης και την ποιότητα του αέρα. Οστόσο, υπό κανονική χρήση, τα περισσότερα φίλτρα True HEPA πρέπει να αντικαθιστούνται κάθε χρόνο και τα φίλτρα άνθρακα κάθε τρεις μήνες.

Μην πλένετε και μην επαναχρησιμοποιείτε το φίλτρο True HEPA ή το φίλτρο άνθρακα, διότι δεν θα λειτουργήσουν αποτελεσματικά. Χρησιμοποιείται μόνο ανταλλακτικά φίλτρα AeraMax™ της Fellowes.

ΠΡΟΕΙΔΟΠΟΙΗΣΗ: Πριν από την αντικατάσταση κάποιου φίλτρου, πρέπει να αφαιρέσετε το βύσμα τροφοδοσίας από την πρίζα.



ΕΠΑΝΑΦΟΡΑ ΕΝΔΕΙΞΗΣ ΦΙΛΤΡΟΥ:

1. Βεβαιωθείτε ότι το πίσω πλαίσιο έχει κουμπώσει στη θέση του.
2. Ενεργοποιήστε τη μονάδα.
3. Εντοπίστε το εικονίδιο αντικατάστασης φίλτρου στην οθόνη.
4. Πατήστε παρατεταμένα το εικονίδιο αντικατάστασης φίλτρου για 3 δευτερόλεπτα. Το εικονίδιο του φίλτρου HEPA θα αναβοσβήσει με πορτοκαλί χρώμα. Πατήστε στην περιοχή του εικονιδίου φίλτρου για εναλλαγή μεταξύ του φίλτρου HEPA και του φίλτρου άνθρακα.
5. Όταν αναψή το επιθυμητό φίλτρο, πατήστε παρατεταμένα για 3 δευτερόλεπτα. Θα ακουστεί ένα σύντομος ήχος μπιπ και η λυχνία θα σβήσει. Επαναλάβετε τη διαδικασία για κάθε φίλτρο, όπως απαιτείται.

TÜRKÇE

AeraMax™ DX5

Fellowes® AeraMax™ Hava Temizleyicisini Satın aldığınız için teşekkür ederiz. Kullanmadan önce lütfen bu kılavuzu dikkatle okuyun.

PAKET İÇERİĞİ

- Fellowes® AeraMax™ Hava Temizleyici
- Karbon Filtre (1 filtre)
- AeraSafe™ Antimikrobiyal İşlem ile Gerçek HEPA Filtresi (1 filtre)
- Kullanım Kılavuzu

HAVA TEMİZLEYİCİ ÖZELLİKLERİ

AeraMax™ DX5 Hava Temizleyici	
Çalıştırılan Oda Alanı	8 m ²
Güç Kaynağı	AC 220-240V/50Hz
Güç Oranı	Düşük 49W, Yüksek 68W
Fan Hızı	3 Kademeli Hız
Ekran	Dokunmatik Ekran
Kumanda Türü	Otomatik/Manüel/Aera+™
Hava Kalitesi Sensörü	Evet
Filtreler	1 Gerçek HEPA Filtresi, AeraSafe™ Antimikrobiyal İşlemli 1 Karbon Filtre
Temizleme Sistemi	Karbon Filtre/Gerçek HEPA Filtresi, AeraSafe™ Antimikrobiyal İşlemli/PlasmaTRUE™
CADR	53 Duman/ 51 Toz/ 58 Polen
Renk	Beyaz
Filtre Özellikleri	
Gerçek HEPA Filtre Yedeği	9287001
Karbon Filtre Yedeği	9324001



Yedek filtreler için lütfen www.fellowes.com adresini ziyaret edin.

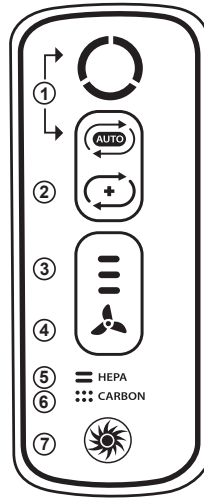
HAVA TEMİZLEYİCİ ÖZELLİKLERİ

- SON DERECE SESSİZ:** Fellowes AeraMax™ Hava Temizleyici 24 saatlik kullanıma uygun son derece sessiz çalışan dört kademeli pervaneyle donatılmıştır.
- BAKIMI KOLAY:** En iyi performans için HEPA Filtre göstergesi kırmızı renkte yandığında veya normal kullanım koşullarında yaklaşık olarak 12 ayda bir Gerçek HEPA Filtresini değiştirin. Karbon Filtre göstergesi kırmızı renkte yandığında veya yaklaşık 3 ayda bir Karbon Filtresini değiştirin.
- AeraSmart™ SENSÖR:** Hava temizleyici, havanızı temiz tutmak için pervane hızını otomatik olarak ayarlayan bir hava kalitesi sensörüyle donatılmıştır. Mavi, sarı ve kırmızı ışıklar, havanızın temizliğini gösterir.

- YEDEK FİLTRE GÖSTERGE IŞIKLARI:** Kullanıma bağlı olarak Gerçek HEPA Filtresi ve Karbon Filtresinin değişmesi gerektiğini belirtir.
- ÜÇ KADEMELİ AYAR:** Sessiz, enerji tasarruflı çalıştırma için DÜŞÜK'ten en etkin temizleme için YÜKSEK'e kadar.
- Aera+™ MODU:** Alerjilerin en çok etkili oldukları mevsim koşulları için tasarlanmıştır. Düşük pervane ayarı moduna göre hava sirkülasyonu oranını %35 artırarak havadan daha fazla alerjeni toplar.

EKRAN PANELİ/İŞLEVLER

- AeraSmart™ SENSÖR:** Hava kalitesini takip eder ve havanızı temiz tutmak için pervane hızını otomatik olarak ayarlar. Ünite ilk çalıştırıldığında varsayılan olarak otomatik çalıştırmaya ayarlanmıştır. Manüel çalıştırma modundaydı, otomatik simgesine dokunarak otomatik çalıştırmaya geri dönebilirsiniz.
- Aera+™ MODU:** Alerjilerin en çok etkili oldukları mevsim koşulları için tasarlanmıştır. Düşük pervane ayarı moduna göre hava sirkülasyonu oranını %35 artırarak havadan daha fazla alerjeni toplar.  simgesine dokunarak Aera+™ moduna geçin. Otomatik çalıştırmaya geri dönmek için  simgesine bir kez dokunarak kapatın.
- PERVANE HIZ GÖSTERGESİ:** Mevcut pervane hız ayarını gösterir: düşük, orta veya yüksek hız.
- PERVANE HIZININ MANÜEL OLARAK AYARLANMASI** - Pervane hızını manüel olarak ayarlamak için pervane simgesine dokununuz.
- GERÇEK HEPA FİLTRESİ DEĞİŞİM GÖSTERGESİ** - Sarı veya kırmızı renkte yanan ışıklar, filtrenin ne zaman değiştirileceğini belirtir. Kırmızı gösterge ışığı filtrenin ne zaman değiştirileceğini gösterir. (Normal kullanım koşullarında filtrenin on iki ayda bir değiştirilmesi önerilir).
- KARBON FİLTRESİ DEĞİŞİM GÖSTERGESİ** - Sarı veya kırmızı renkte yanan ışıklar, filtrenin ne zaman değiştirileceğini belirtir. Kırmızı gösterge ışığı filtrenin ne zaman değiştirileceğini gösterir. (Normal kullanım koşullarında filtrenin üç ayda bir değiştirilmesi önerilir).
- PlasmaTRUE™ TEKNOLOJİSİ** - Hava yoluyla taşınan kirlenici parçacıklardan güvenle korunmak için iyonize edilmiş bir alan yaratır.

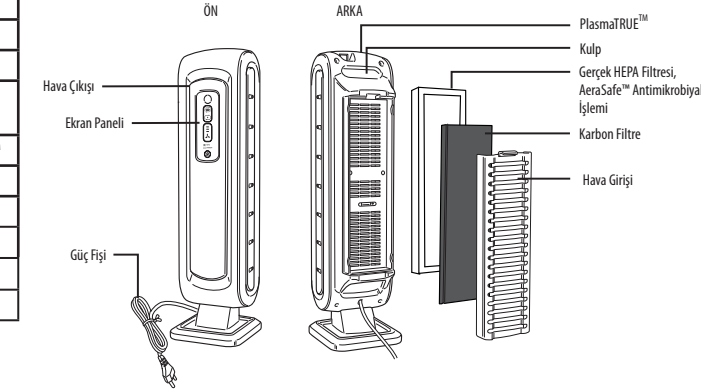


AeraSmart™ SENSÖRÜ

Hava kalitesini belirten hava kalitesi göstergesi.

- Mavi seviye havanın temiz olduğunu gösterir.
- Sarı seviye hava kalitesinin düşük olduğunu gösterir.
- Kırmızı seviye havada yüksek miktarda kirlenici olduğunu gösterir.

PERVANE HIZ AYARLARI

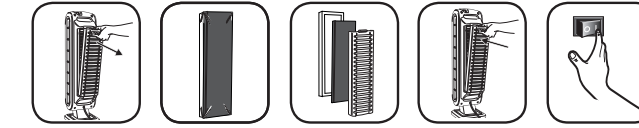


GÜVENLİK TALİMATLARI/UYARILAR

UYARI: Elektrik çarpması, kısa devre ve/veya yangın riskini azaltmak için bu kılavuzdaki talimatlara uymazın gerekir:

- Bu kılavuzda özellikle belirtilmediği sürece üniteye onarım veya değişiklik yapmayın. Tüm onarımlar yetkili bir teknisyen tarafından yapılmalıdır.
- Fişi elektrik prizine takarken zorlamayın.
- Fiş üzerinde hiçbir şekilde değişiklik yapmayın. Fişi elektrik prizine takamazsanız ters çevirerek tekrar deneyin. Ters çevirdiğinizde de takamazsanız uygun bir priz takılması için yetkili bir teknisyene başvurun.
- Güç kablosu veya fiş hasarlı veya fiş prize tam oturmuyorsa üniteyi kullanmayın.
- Sadece AC 220 - 240V kullanın.
- Güç kablosuna hasar vermemeyi, kabloyu kesmemeyi, zorlayarak eğmemeyi, çekmemeyi, bükmemeyi, sarmayın, kaplamayın, kabloda çentik açmayın veya üzerine ağır nesnelere yerleştirmeyin.
- Güç fişindeki tozu düzenli olarak temizleyin. Tozun temizlenmesi, elektrik çarpması tehlikesini artıran nem birikimini azaltır.
- Güç kablosu hasar görmüşse, tehlikelerden korunmak için kablolu üretici, servis temsilcisi veya benzer şekilde vasıflı personel tarafından değiştirilmesi gerekir
- Üniteyi temizlemeden önce güç fişini prizden çıkarın. Güç fişini çıkarırken hiçbir zaman kabloyu tutarak çekmeyin; fişin kendisini çekin.
- Ünite kullanımda değilken güç fişini prizden çıkarın.
- Güç fişine ıslak elle dokunmayın.
- Kapalı alanda kullanılan dumanlı böcek ilaçları kullanılırken üniteyi çalıştırmayın.
- Üniteyi benzen ve tinerle temizlemeyin. Cihazın üzerine böcek ilacı püskürtmeyin.
- Üniteyi nemli ortamlarda veya banyo gibi ünitenin ıslanabileceği yerlerde kullanmayın.
- Parmaklarınızı veya yabancı cisimleri hava girişine veya çıkışına sokmayın.
- Üniteyi alev alabilecek gazların yanında kullanmayın. Sigara, tütsü veya kıvılcım oluşturabilecek nesnelere yanında kullanmayın.
- Ünite ısıtıcı veya diğer kaynakların oluşturduğu karbon monoksiti toplamaz.
- Hava girişi ve çıkışlarını kapatmayın.
- Fırın gibi sıcak nesnelere yanında kullanmayın. Üniteyi buharla temas edebileceği bir yerde kullanmayın.
- Üniteyi yan yatırıp kullanmayın.
- Üniteyi fritöz gibi yağlı kalıntı oluşturan ürünlerden uzak tutunuz.
- Cihazı temizlemek için deterjan kullanmayın.
- Filtresiz çalıştırmayın.
- HEPA Filtresini yıkayıp yeniden kullanmayın.
- Güç kablosunu halı veya kilimlerin altından geçirmeyin.
- Makineyi hareket ettirirken her zaman kulplarından tutarak kaldırın.
- Bu cihaz, güvenliklerinden sorumlu kişiler tarafından gözetim sağlanmamış veya eğitim verilmemişse, (çocuklar dahil olmak üzere) sınırlı fiziksel, duyuusal veya zihinsel kapasiteye sahip, bilgi ve deneyim sahibi olmayan kişiler tarafından kullanılmamalıdır.
- Bu cihaz, 8 yaş ve üzeri çocuklar tarafından ve cihazın güvenli şekilde kullanımı ve mevcut tehlikelerin anlaşılmasıyla ilgili eğitim verilmişse veya denetleniyorsa düşük fiziksel, duyuusal veya zihinsel yetenekleri veya tecrübe ve bilgi eksikliği olan kişiler tarafından kullanılabilir. Çocuklar bu cihazla oynamamalıdır. Gözetim olmaksızın çocuklar tarafından temizlik ve bakım yapılmamalıdır.

KURULUM VE KULLANIM



NOT: En iyi sonuçları almak için bu talimatları izleyin.

Ünite ile duvar arasında en az ½ metre mesafe olmalıdır. Üniteyi hava akımı olan alanlardan uzak tutunuz. Hava girişi/çıkışı etkileyebileceği için üniteyi perdelerden uzak tutunuz. Üniteyi hava sirkülasyonu olan sabit bir yüzeye yerleştirin.

- Kontrol paneli üzerindeki koruyucu filmi sökünüz.
- Çıkıntıya bastırın ve arka paneli çekip çıkartın.
- Filtrelerin üzerindeki torbayı alın. Filtreleri üniteye yeniden yerleştirin.
- İlk olarak Gerçek HEPA Filtresini ardından Karbon Filtreyi yerleştirin.
- İlk olarak filtre panelinin alt kısmındaki çıkıntıları tamamen yerleştirin, yerleştiğini duyana kadar üst çıkıntıları yerine itin.
- Güç kablosunu prize takın.
- Üniteyi çalıştırın. Ünite ses çıkaracaktır.

Üniteyi çalıştırdıktan sonra yaklaşık ilk 4 dakika içerisinde, ünite hava kalitesini ölçerken göstergeler yanıp sönecektir.

BAKIM

TEMİZLİK:

Üniteyi kuru, yumuşak bir bezle gerektiği şekilde temizleyin, lekeleri çıkarmak için ılık ve nemli bir bez kullanın. Cihaz yüzeyine zarar verebileceği için, benzen ve tiner gibi uçucu maddeleri veya aşındırıcı temizlik tozlarını kullanmayın. Üniteyi kuru tutunuz.

SORUN GİDERME Sık karşılaşılan sorunlar için çözümler

Servis çağırmadan önce bu listeye göz atın. Bu listede hatalı malzeme veya işçilikten kaynaklanmayan sorunlara yer verilmiştir.

SORUN:	OLASI ÇÖZÜM:
Ünite havaya duman ve koku salıyor.	Sensörün engellenmediğinden ve tıkanmadığından emin olun. Üniteyi kötü kokuların yakınına yerleştirin. Filtreleri gerektiği şekilde değiştirin.
Ünite koku yapıyor.	Filtreleri gerektiği şekilde değiştirin.
Cihaz hafif bir tıkırdama sesi çıkarıyor.	Bu durum, "PlasmaTRUE™" işlevinin çalıştığı gösterir.
Ünite radyo veya televizyon sinyaliyle karışıyor.	Ünite radyo frekans enerjisi yaydığı için aşağıdaki çözümlerden birini veya birkaçını denemenizi öneriyoruz: <ul style="list-style-type: none"> Daha iyi sinyal alabilmek için televizyon/radyo antenini ayarlayın. Üniteyi etkilenen televizyon/radyodan uzaklaştırın. Ünitenin güç fişini televizyon/radyo güç fişinin bağlı olduğu prizden farklı bir prize bağlayın.
Gerçek HEPA ve/veya Karbon Filtresi değiştirildikten sonra Gerçek HEPA ve Karbon Filtre göstergeleri yanmaya devam ediyor.	Kurulum ve Kullanım bölümünde yer alan filtre göstergesi sıfırlama talimatlarını tekrarlayın.
PlasmaTRUE™ simgesi yanmıyor.	Ses duyulana kadar beş saniye boyunca PlasmaTRUE™ simgesine dokunup basılı tutunuz.
Yanlış filtre değiştirme ışığı sıfırlanmış.	Yanlış filtre sıfırlama durumunda, yanlış sıfırlama sonrasında 5 dakika içerisinde Kurulum ve Çalıştırma bölümündeki filtre sıfırlama sürecini tekrarlayın. Filtre sayacı ve göstergesi sıfırlama öncesindeki durumuna geri dönecektir.

ČESKY

AeraMax™ DX5

Děkujeme, že jste si zakoupili čističku vzduchu Fellowes® AeraMax™. Než začnete zařízení používat, přečtěte si pečlivě tuto příručku.

OBSAH BALENÍ

- Čistička vzduchu Fellowes® AeraMax™
- Uhlíkový filtr (1 filtr)
- Filtr True HEPA s antimikrobiální úpravou AeraSafe™ (1 filtr)
- Návod k obsluze

TECHNICKÉ PARAMETRY ČISTIČKY VZDUCHU

Čistička vzduchu AeraMax™ DX5	
Dosah	8 m ²
Napájecí zdroj	220–240 V (střídavý) / 50 Hz
Jmenovitý výkon	Min. 49 W, max. 68 W
Rychlost ventilátoru	3 rychlosti
Displej	Dotyková obrazovka
Typ ovládání	Automatické/manuální/Aera+™
Čidlo kvality vzduchu	Ano
Filtry	1 filtr True HEPA s antimikrobiální úpravou AeraSafe™ 1 uhlíkový filtr
Čistící systém	Uhlíkový filtr / filtr True HEPA s antimikrobiální úpravou AeraSafe™ / PlasmaTRUE™
Rychlost dodávání čistého vzduchu (CADR)	53 pro kouř / 51 pro prach / 58 pro pyl
Barva	Bílá
Technické údaje filtrů	
Náhradní filtr True HEPA	9287001
Náhradní uhlíkový filtr	9324001

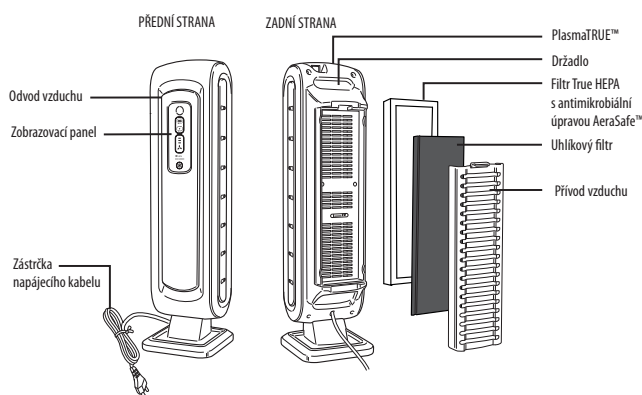
Náhradní filtry lze zakoupit na adrese: www.fellowes.com

FUNKCE ČISTIČKY VZDUCHU

- VELMI TICHÝ PROVOZ:** Tato čistička vzduchu Fellowes AeraMax™ je vybavena třírychlostním ventilátorem s velmi tichým provozem, který je vhodný pro 24hodinové používání.
- SNADNÁ ÚDRŽBA:** Chcete-li dosáhnout optimálního výkonu, vyměňte filtr True HEPA poté, co kontrolka filtru HEPA změni barvu na červenou (nebo při běžných provozních podmínkách přibližně každých 12 měsících). Uhlíkový filtr vyměňte poté, co jeho kontrolka změni barvu na červenou (nebo přibližně každé 3 měsíce).
- ČIDLO AeraSmart™:** Tato čistička vzduchu je vybavena čidlem kvality vzduchu, které automaticky přizpůsobuje rychlost ventilátoru tak, aby byl vzduch neustále vyčištěný. Kontrolka udává čistotu vzduchu modrou, oranžovou a červenou barvou.

ČTYŘSTUPŇOVÝ SYSTÉM ČIŠTĚNÍ VZDUCHU

- UHLÍKOVÝ FILTR:** Odstraňuje pachy a zachytává ze vzduchu velké částice.
- FILTR TRUE HEPA:** Zachytí 99,97 % částic o velikosti až 0,3 mikronů včetně pylu ambrozie a jiných alergenů, virů, mikroorganismů, roztoců, spor plísní, lupů domácích mazlíčků a cigaretového kouře.
- ANTIMIKROBIÁLNÍ ÚPRAVA AeraSafe™:** Vestavěná ochrana, která na filtru True HEPA brání růstu bakterií, plísní a hub způsobujících zápach.
- TECHNOLOGIE PlasmaTRUE™:** Technologie Fellowes® PlasmaTRUE™ vytvoří během poslední fáze čištění vzduchu ionizované pole, které ze vzduchu pomůže bezpečně odstranit nečistoty.



PANEL DISPLEJE / FUNKCE

- ČIDLO AeraSmart™:** Sleduje kvalitu vzduchu a automaticky upravuje rychlost ventilátoru tak, aby byl vzduch neustále vyčištěný. Při prvním zapnutí je jednotka implicitně nastavená na automatický provoz. Z manuálního režimu lze kdykoli přejít na režim automatický stisknutím ikony „auto“.
- REŽIM Aera+™:** Navržený pro podmínky hlavní pylové sezóny. Zvyšuje rychlost výměny vzduchu o 35 % (ve srovnání s nízkou rychlostí ventilátoru), čímž ze vzduchu odstraňuje ještě více alergenů. Do režimu Aera+™ přejdete stisknutím ikony . Chcete-li se vrátit k automatickému provozu, stiskněte znovu ikonu a režim Aera+™ se vypne.
- KONTROLKA RYCHLOSTI VENTILÁTORU:** Zobrazuje aktuální nastavení rychlosti ventilátoru: nízká, střední nebo vysoká.
- MANUÁLNÍ ÚPRAVA RYCHLOSTI VENTILÁTORU** – klepnutím na ikonu ventilátoru manuálně vyberete jeho rychlost.
- KONTROLKA VÝMĚNY FILTRU TRUE HEPA** – oranžové a červené kontrolky upozorňují, kdy je třeba filtr vyměnit. Červená kontrolka značí, kdy je třeba filtr vyměnit. (V běžných provozních podmínkách doporučujeme filtr vyměňovat každých dvanáct měsíců.)
- KONTROLKA VÝMĚNY UHLÍKOVÉHO FILTRU** – oranžové a červené kontrolky upozorňují, kdy je třeba filtr vyměnit. Červená kontrolka značí, kdy je třeba filtr vyměnit. (V běžných provozních podmínkách doporučujeme filtr vyměňovat každé tři měsíce.)
- TECHNOLOGIE PlasmaTRUE™** – vytváří ionizované pole, které napomáhá při bezpečném odstraňování nečistot ze vzduchu.

ČIDLO AeraSmart™

Kontrolka kvality vzduchu zobrazuje úroveň kvality vzduchu.

- Modrá značí, že vzduch je čistý.
- Oranžová značí špatnou kvalitu vzduchu.
- Červená značí, že se ve vzduchu nachází velké množství nečistot.

NASTAVENÍ RYCHLOSTI VENTILÁTORU



BEZPEČNOSTNÍ POKYNY/VAROVÁNÍ

UPOZORNĚNÍ: Dodržováním pokynů uvedených v této příručce snížíte riziko úrazu elektrickým proudem, zkratu nebo požáru:

- Jednotku neopravujte ani nemodifikujte, pokud tak není konkrétně doporučeno v tomto manuálu. Veškeré opravy by měly být prováděny kvalifikovaným technikem.
- Nezasunujte zástrčku do elektrické zásuvky silou.
- Zástrčku nijak neměňte. Pokud zástrčku do zásuvky nelze zasunout, otočte ji. Pokud do zásuvky stále nepasuje, požádejte kvalifikovaného technika, aby namontoval vhodnou zásuvku.
- Nepoužívejte, pokud jsou napájecí kabel nebo zástrčka poškozené nebo je-li zapojení do zásuvky příliš volné.
- Používejte pouze střídavý proud v rozmezí 220–240 V.
- Napájecí kabel nepoškozujte, nelámejte, silou neohýbejte, netahejte za něj, nekruťte, nesvazujte, neobalujte, nemačkejte jej ani na něj neumísťujte těžké předměty.
- Ze zástrčky napájecího kabelu pravidelně odstraňujte prach. Sníží se tak šance nashromáždění vlhkosti, která zvyšuje riziko zasažení elektrickým proudem.
- Poškozený napájecí kabel musí vyměnit výrobce, jeho servisní technik nebo jiná podobně kvalifikovaná osoba, aby nedošlo ke vzniku nebezpečných situací.
- Než začnete jednotku čistit, vyjměte zástrčku napájecího kabelu ze zásuvky. Při vyjímání zástrčky napájecího kabelu ze zásuvky netahejte za kabel, ale uchopte zástrčku.
- Není-li jednotka v provozu, vyjměte zástrčku napájecího kabelu ze zásuvky.
- Se zástrčkou napájecího kabelu nemanipulujte mokřima rukama.
- Jednotku nepoužívejte, pokud používáte kouřové insekticidy určené pro vnitřní prostory.
- K čištění jednotky nepoužívejte benzen ani ředidla. Nestříkejte na jednotku insekticidy.
- Nepoužívejte jednotku ve vlhkém prostředí ani v místech, kde by mohla přijít do styku s tekutinami, např. v koupelně.
- Nevkládejte prsty nebo jiné cizí předměty do vstupu či výstupu vzduchu.
- Nepoužívejte jednotku v blízkosti hořlavých plynů. Nepoužívejte v blízkosti cigaret, kadidla ani jiných předmětů, které mohou vytvářet jiskry.
- Jednotka neodstraňuje oxid uhelnatý vydávaný topnými zařízeními či jinými zdroji.
- Neblokujte vstupní ani výstupní otvory.
- Nepoužívejte v blízkosti horkých objektů, jako je sporák. Nepoužívejte v místech, kde by jednotka mohla přijít do styku s párou.
- Nepoužívejte jednotku převrácenou na bok.
- Neumísťujte do blízkosti produktů, které zanechávají mastné usazeniny, jako je fritovací hrnec.
- K čištění jednotky nepoužívejte saponáty.
- Nepoužívejte bez filtru.
- Filtr True HEPA neomyvejte ani opakovaně nepoužívejte.
- Napájecí kabel nevedte pod koberci ani jej nezakrývejte malými koberečky.
- Při přemísťování zařízení vždy zdvihejte za držadlo.
- Osoby (včetně dětí) se sníženými fyzickými, smyslovými či mentálními schopnostmi nebo s nedostatkem zkušeností a znalostí mohou toto zařízení používat pouze pod dozorem osoby odpovědné za jejich bezpečnost nebo poté, co je tato osoba poučí o používání zařízení.
- Toto zařízení mohou používat děti starší 8 let a osoby se sníženými fyzickými, smyslovými či mentálními schopnostmi nebo s nedostatkem zkušeností a znalostí za předpokladu, že budou zařízení používat pod dozorem nebo že budou poučeni o jeho bezpečném používání a rozumí rizikům, která jsou s touto činností spojena. Se zařízením si nesmíjí hrát děti. Děti bez dozoru nesmí zařízení čistit ani provádět uživatelskou údržbu.

NASTAVENÍ A POUŽÍVÁNÍ



POZNÁMKA: Nejlepších výsledků dosáhnete, pokud se budete řídit následujícími pokyny: Jednotku umístěte minimálně ½ metru od stěny. Neumísťujte jednotku do míst, kde je průvan. Neumísťujte jednotku do blízkosti záclon, které by mohly bránit správnému nasávání/vypouštění vzduchu. Umístěte jednotku na stabilní povrch, kde je k dispozici dostatečné proudění vzduchu.

- Sejměte z ovládacího panelu ochrannou fólii.
- Stiskněte úchytku a sejměte zadní panel.
- Vyjměte filtry ze sáčku. Vložte filtry zpět do jednotky.
- Nejdříve vložte filtr True HEPA a poté uhlíkový filtr.
- Nejdříve zcela zasuňte spodní úchytku panelu filtru. Poté zasuňte horní úchytku, dokud neuslyšíte kliknutí.
- Připojte napájecí kabel do zásuvky.
- Zapněte jednotku. Jednotka vydá zvukový signál.

Po zapnutí budou kontrolky jednotky přibližně 4 minuty blikat, zatímco probíhá měření kvality vzduchu.

PÉČE A ÚDRŽBA

ČIŠTĚNÍ:

Jednotku čistěte podle potřeby otřením suchým, měkkým hadříkem. Na odolné skvrny použijte teplý, vlhký hadřík. Nepoužívejte těkavé kapaliny, jako je benzen, ředidla nebo brusné pasty, protože by mohly poškodit povrch jednotky. Udržujte jednotku suchou.

ODSTRAŇOVÁNÍ PORUCH: Řešení běžných potíží

Než zažádáte o servis, přečtěte si tento seznam. Jsou v něm uvedeny problémy, které nejsou výsledkem vad materiálů ani provedení.

PROBLÉM:	MOŽNÉ ŘEŠENÍ:
Jednotka ze vzduchu neodstraňuje kouř a pachy.	Ujistěte se, že čidlo není zablokované nebo zanesené nečistotami. Přemístěte jednotku blíže k místu s nepříjemným zápachem. Dle potřeby vyměňte filtry.
Zdá se, že jednotka vytváří nepříjemný zápach.	Dle potřeby vyměňte filtry.
Zařízení vydává slabý zvuk podobný tikání.	Znamená to, že funguje funkce PlasmaTRUE™.
Jednotka způsobuje rušení příjmu rádiového nebo televizního signálu.	Vzhledem k tomu, že jednotka vytváří radiofrekvenční signál, doporučujeme vyzkoušet jednu nebo více následujících možností: – Zlepšete příjem přenastavením televizní/rádiové antény. – Přemístěte jednotku dále od příslušné televize/rádia. – Zapojte napájecí kabel jednotky do jiné zásuvky, než kde je zapojen napájecí kabel televize/rádia.
Kontrolky filtru True HEPA a uhlíkového filtru zůstávají rozsvícené i po provedení výměny filtru True HEPA nebo uhlíkového filtru.	Znovu proveďte kroky týkající se resetu kontrolky filtrů, které jsou uvedeny v části Nastavení a používání.
Ikona PlasmaTRUE™ nesvítí.	Dotkněte se ikony PlasmaTRUE™ a pět sekund ji podržte, dokud neuslyšíte zvukový signál.
Došlo k nechtěnému resetu kontrolky výměny filtru.	V případě, že dojde k neúmyslnému resetu filtru, zopakujte do 5 minut kroky týkající se resetu filtru uvedené v části Nastavení a používání. Počítadlo a kontrolka filtru se vrátí do stavu před resetem.

SLOVENČINA

AeraMax™ DX5

Ďakujeme Vám za zakúpenie čističa vzduchu Fellowes® AeraMax™. Pozorne si prosím prečítajte tento návod.

OBSAH BALENIA

- Čistič vzduchu Fellowes® AeraMax™
- Právý HEPA Filter s AeraSafe™ Antimikrobiálne ošetrovanie (1 filter)
- Uhlíkový filter (1 filter)
- Používateľská príručka

ŠPECIFIKÁCIE ČISTIČA VZDUCHU

Čistič vzduchu AeraMax™ DX5	
Pokrytá časť miestnosti	8 m ²
Napájanie	AC 220-240V/50Hz
Menovitá hodnota napájania	Nízka 49W, Vysoká 68W
Rýchlosť ventilátora	3 rýchlosti
Obrazovka	Dotyková obrazovka
Typ ovládania	Auto/Manual/Aera+™
Snímač kvality vzduchu	Áno
Filtere	1 Právý HEPA Filter s AeraSafe™ antimikrobiálnym ošetrovaním 1 uhlíkový filter
Čistiaci systém	Uhlíkový filter/Právý HEPA filter s AeraSafe™ antimikrobiálnym ošetrovaním/PlasmaTRUE™
CADR	53 dym/ 51 prach/ 58 peľ
Farba	Biely
Špecifikácie filtra	
Výmena pravého HEPA filtra	9287001
Výmena uhlíkového filtra	9324001

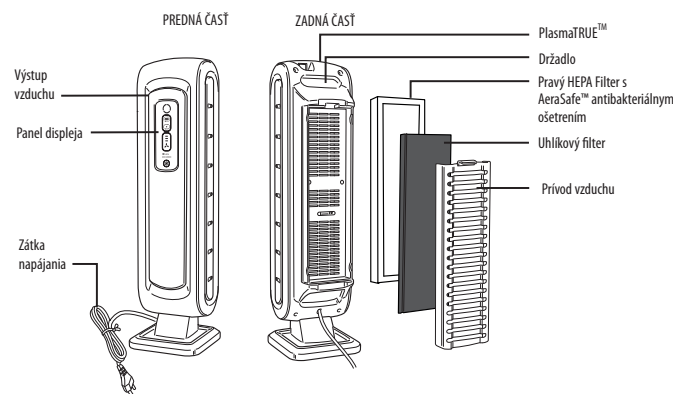
Ak chcete informácie o výmene filtra, navštívte prosím www.fellowes.com

VLASTNOSTI ČISTIČA VZDUCHU

- **EXTRÉMNE TICHÁ PREVÁDZKA:** Tento čistič vzduchu Fellowes AeraMax™ má trojrýchlostný ventilátor s ultra tichou prevádzkou, ktorá je ideálna na 24 hodinové použitie.
- **JEDNODUCHÁ ÚDRŽBA:** Pre optimálny výkon vymeňte pravý HEPA Filter, keď indikátor HEPA Filtra začne svietiť červenou farbou, alebo približne každých 12 mesiacov za normálnych podmienok používania. Uhlíkový filter vymeňte vtedy, keď jeho indikátor začne svietiť červenou farbou alebo každé 3 mesiace.
- **SNÍMAČ AeraSmart™:** Tento čistič je vybavený snímačom kvality vzduchu, ktorý automaticky nastavuje kvalitu vzduchu, aby sa vzduch udržoval čistý. Modré, žlté a červené svetlá označujú čistotu vzduchu.

ŠTVORFÁZOVÝ ČISTIACI SYSTÉM

- **UHLÍKOVÝ FILTER:** Odstraňuje zápachy a zachytáva veľké častice obsiahnuté vo vzduchu.
- **PRAVÝ HEPA FILTER:** Zachytáva 99.97% častíc veľkých 0,3 mikrónov, vrátane častíc z cigariet a iných alergénov, vírusov, baktérií, častíc prachu, spórov plesne, chlív domích zvierat a cigaretového dymu.
- **ANTIMIKROBIÁLNE OŠETRENIE POMOCOU AeraSafe™:** Zabudovaná ochrana od začiatku tvorby zápachu spôsobeného baktériami, čistočkami rosy a húb na pravom HEPA Filteri.
- **TECHNOLÓGIA PlasmaTRUE™:** Vo finálnej fáze čistenia technológia Fellowes® PlasmaTRUE™ vytvára ionizované pole, ktoré pomáha bezpečne odstrániť nečistoty zo vzduchu.

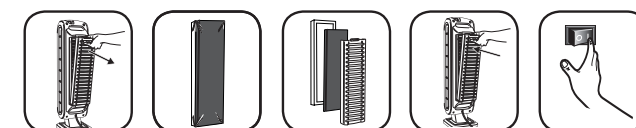


BEZPEČNOSTNÉ POKYNY/UPOZORNENIE

UPOZORNENIE: Dodržiavajte pokyny uvedené v tejto príručke, aby ste znížili riziko zásahu elektrickým prúdom, skratu a požiaru:

- Jednotku neopravujte ani neupravujte, kým sa to zvlášť neodporúča v tomto návode. Všetky opravy musí vykonávať kvalifikovaný technik.
- Nevyvíjajte silu na zástrčku.
- Zástrčku nepozmieňajte žiadnym spôsobom. Keď nemôžete zástrčku zasunúť do zásuvky, otočte ju. Ak ani potom nemôžete zasunúť zástrčku do zásuvky, obráťte sa na kvalifikovaného technika, aby namontoval správnu zásuvku.
- Zariadenie nepoužívajte, ak je napájací kábel alebo zástrčka poškodená alebo ak je uvoľnené pripojenie k zásuvke.
- Použite len AC 220-240 V.
- Dbajte, aby sa napájací kábel nepoškodil, neprelomil, neohýbal násilím, neťahalo sa zaň, aby sa nestáčať, nezvážoval, neprikryval, nepritlačil ani aby sa naň nedávali ťažké predmety.
- Zo zástrčky pravidelne odstraňujte prach. Omedzte tým možnosť hromadenia vlhkosti, ktorá zvyšuje riziko úrazu elektrickým prúdom.
- Ak je napájací kábel poškodený, musí ho vymeniť výrobca, jeho servisný zástupca alebo podobne kvalifikovaná osoba, aby sa predišlo riziku.
- Pred čistením jednotky vyberte zástrčku zo zásuvky. Pri vytáňovaní vždy ťahajte za napájaciu zástrčku nie za napájací kábel.
- Keď jednotku nepoužívate vyberte napájaciu zástrčku zo zásuvky.
- Napájaciu zástrčku nechytajte mokrymi rukami.
- Jednotku neprevádzkujte, keď používate interierové insekticídy, ktoré generujú dym.
- Jednotku nečistite benzénom ani riedidlom na farby. Na jednotku nestríkejte insekticídy.
- Jednotku nepoužívajte tam, kde je vlhko alebo tam, kde môže zvlhnúť, napríklad v kúpeľni.
- Nedávajte prsty alebo cudzie predmety do štrbiny prívodu alebo vývodu vzduchu.
- Jednotku nepoužívajte v blízkosti horľavých plynov. V blízkosti nepoužívajte cigarety, vonné tyčinky alebo iné predmety, ktoré môžu produkovať iskry.
- Jednotka sa nezbavuje monooxidu, ktorý sa produkuje vo vyhrievacích zariadeniach alebo iných zdrojoch.
- Neblokujte prívodné alebo výstupné vetracie otvory.
- V blízkosti nepoužívajte horúce objekty, akými sú kachle. Nepoužívajte tam, kde jednotka môže prísť do kontaktu s parou.
- Nepoužívajte jednotku na jej strane.
- Držte ďalej od produktov, ktoré produkujú olejové zvyšky, napríklad fritéza.
- Na čistenie zariadenia nepoužívajte čistiace prostriedky.
- Neprevádzkujte bez filtra.
- Neumývajte a opakovane nepoužívajte Právý HEPA Filter.
- Napájací kábel nevedte pod koberec ani ho nezakrývajte koberčekmi.
- Pri prenášaní stroja ho vždy zdvihnite pomocou rukoväte.
- Toto zariadenie nie je určené na to, aby ho používali osoby (vrátane detí) so zníženými psychickými, sensorickými alebo mentálnymi schopnosťami, alebo nedostatočnými skúsenosťami a znalosťami, kým nebudú pod dozorom alebo sa im neposkytnú inštrukcie o používaní zariadenia osobou zodpovednou za ich bezpečnosť.
- Tento spotrebič môžu používať deti vo veku 8 rokov a viac a osoby so zníženými psychickými, sensorickými alebo mentálnymi schopnosťami, či nedostatočnými skúsenosťami a znalosťami, ak sú pod dozorom alebo im boli poskytnuté inštrukcie o použití zariadenia bezpečným spôsobom a porozumeli s tým spojeným rizikám. Deti sa nesmú hrať so spotrebičom. Čistenie a používateľskú údržbu nesmú vykonávať deti bez príslušného dohľadu.

NASTAVENIE A PREVÁDZKA



POZNÁMKA: dodržiavaním týchto inštrukcií dosiahnete najlepšie výsledky

Umiestnite aspoň ½ metra od steny. Jednotku chráňte pred prievanom. Závesy držte ďalej od jednotky, pretože sa môžu zamotať do prívodu/vývodu vzduchu. Jednotku umiestnite na rovny povrch, kde je dostatočná cirkulácia vzduchu.

1. Odstráňte ochranný film z ovládacieho panela.
2. Zatlačte lištu a vytiahnite zadný panel.
3. Odstráňte vrecúško z filtrov. Filtre založte späť do jednotky.
4. Založte pravý HEPA Filter ako prvý a potom uhlíkový filter.
5. Najprv na doraz zasunúť spodné lišty panelu filtra, potom založte vrchnú lištu, kým nezačujete kliknutie.
6. Napájací kábel pripojte k zásuvke.
7. Zapnite jednotku. Jednotka vydá zvuk.

Po približne 4 minútach po zapnutí jednotky, budú indikátory blikať, kým bude jednotka merať kvalitu vzduchu.

STAROSTLIVOSŤ A ÚDRŽBA

ČISTENIE:

Vonkajšiu jednotku čistite podľa potreby trením suchou jemnou tkaninou. Na škrvny použite teplú navlhčenú tkaninu. Nepoužívajte prchavé kvapaliny, ako je napríklad benzén, riedidlo alebo prášok na riad, ktoré môžu poškodiť povrch zariadenia. Jednotku držte v suchu.

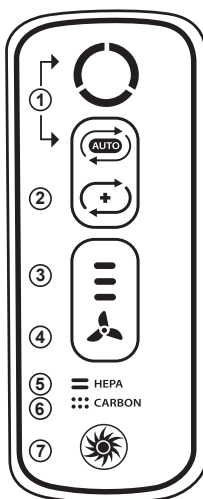
ODSTRÁŇOVANIE PROBLÉMOV: Riešenia všeobecných problémov

Pozrite si tento zoznam predtým, ako zavoláte servis. Tento zoznam pokrýva problémy, ktoré nie sú v dôsledky chyby materiálov alebo výroby.

PROBLÉM:	MOŽNÉ RIEŠENIE:
Jednotka nechá dym a zápachy vo vzduchu.	Ubezpečte sa, že snímač nie je blokový alebo upchaný. Jednotku posuňte bližšie k výskytu zápachov. Podľa potreby vymeňte filter.
Zdá sa, že jednotka produkuje zápachy.	Podľa potreby vymeňte filter.
Zariadenie vydáva tichý tikajúci zvuk.	Toto indikuje, že funkcia PlasmaTRUE™ pracuje.
Jednotka ruší rádiový alebo televízny príjem.	Pretože táto jednotka vyžaruje energiu rádiových frekvencií, odporúčame skúsiť jedno z nasledovného: <ul style="list-style-type: none"> - Pre lepší príjem, nastavte televíznu/rádiovú anténu. - Jednotku presuňte mimo príslušného televízneho/rádiového vysielača. - Pripojte napájací kábel k zásuvke inej, ako napájací kábel televízie/rádia.
Indikátory pravého HEPA a uhlíkového filtra zostávajú po výmene pravého HEPA a/alebo uhlíkového filtra svietiť.	Znova vykonajte inštrukcie na resetovanie indikátora filtra zo sekcie Nastavenia a Prevádzka.
Ikona PlasmaTRUE™ nie je podsvietená.	Dotknite sa a podržte ikonu PlasmaTRUE™ na päť sekúnd, kým sa neozve pípnutie.
Chyba indikátora výmeny filtra sa resetuje.	V prípade nechceného resetovania filtra, opakujte procedúru resetovania zo sekcie Nastavenie a Prevádzka do 5 minút od nechceného resetu. Počítadlo a indikátor filtra sa vrátia do stavu pred resetom.

PANEL DISPLEJA/FUNKCIE

1. **SNÍMAČ AeraSmart™:** Monitoruje kvalitu vzduchu a automaticky nastavuje rýchlosť ventilátora, aby sa vzduch udržiaval čistý. Jednotka je nastavená na predvolenú automatickú prevádzku pri prvom zapnutí. Ak je v manuálnej prevádzke, kedykoľvek môžete prejsť späť na automatickú stlačením ikony auto.
2. **REŽIM Aera+™:** Navrhnuté pre podmienky sezóny so zvýšenou alergivitou. Zvyšuje cirkuláciu vzduchu o 35% pri režime nastavenia nízkych otáčok ventilátora, kedy sa zo vzduchu odstraňuje dokonca viac alergénov. Prepnite na režim Aera+™ stlačením ikony (Aera+). Pre návrat k automatickej prevádzke, stlačte znova ikonu (Auto).
3. **INDIKÁTOR RÝCHLOSTI VENTILÁTORA:** Zobrazí aktuálne nastavenie rýchlosti ventilátora: nízka, stredná alebo vysoká rýchlosť.
4. **MANUÁLNE NASTAVENIE RÝCHLOSTI VENTILÁTORA** - Ťuknite na ikonu ventilátora pre zvolenie rýchlosti ventilátora.
5. **INDIKÁTOR PRAVÉHO HEPA FILTRA** - Žlté a červené svetlá indikujú výmenu filtra. Červené indikačné svetlo bude signalizovať, kedy je potrebné vymeniť filter. (Filter sa odporúča vymeniť každých dvanásť mesiacov pri normálnych podmienkach používania.)
6. **INDIKÁTOR VÝMENY UHLÍKOVÉHO FILTRA** - Žlté a červené indikačné svetlá výmeny filtra. Červené indikačné svetlo bude signalizovať, kedy je potrebné vymeniť filter. (Filter sa odporúča vymeniť každé tri mesiace za normálnych podmienok použitia.)
7. **TECHNOLÓGIA PlasmaTRUE™** - Vytvára ionizované pole, čo napomáha bezpečne odstrániť častice nečistôt.



SNÍMAČ AeraSmart™
Indikátor kvality vzduchu zobrazuje úroveň kvality vzduchu.

- Modrá úroveň indikuje, že vzduch je čistý.
- Žltá indikuje zľú úroveň kvality vzduchu.
- Červená indikuje vysokú úroveň znečistenia vzduchu.

NASTAVENIA RÝCHLOSTI VENTILÁTORA



MAGYAR

AeraMax™ DX5

Köszönjük, hogy a Fellowes® AeraMax™ légtisztító készüléket választotta. Kérjük, hogy használat előtt gondosan olvassa el a jelen kézikönyvet.

CSOMAG TARTALMA

- Fellowes® AeraMax™ légtisztító készülék
- True HEPA szűrő AeraSafe™ antimikrobiális kezeléssel (1 szűrő)
- Szénszűrő (1 szűrő)
- Kezelői kézikönyv

LÉGTISZTÍTÓ MŰSZAKI ADATAI

AeraMax™ DX5 légtisztító	
A kiszolgált terület	8 m ²
Tápellátás	Váltakozó áram, 220-240 V / 50 Hz
Teljesítmény besorolás	Alacsony 49 W, magas 68 W
Ventilátorsebesség	3 sebességfokozat
Kijelző	Érintőképernyő
Vezérlés típusa	Auto/Kézi/Aera+™
Levegőminőség-érzékelő	Igen
Szűrők	1 True HEPA szűrő AeraSafe™ antimikrobiális kezeléssel 1 szénszűrő
Tisztítási rendszer	Szénszűrő/True HEPA Filter AeraSafe™ antimikrobiális kezeléssel/PlasmaTRUE™
CADR	53 Füst / 51 Por / 58 Pollen
Színválaszték	Fehér
Szűrő műszaki adatai	
True HEPA szűrő cseréje	9287001
Szénszűrő cseréje	9324001

Csereszűrőkért kérjük keresse fel a következő oldalt: www.fellowes.com

LÉGTISZTÍTÓ JELLEMZŐI

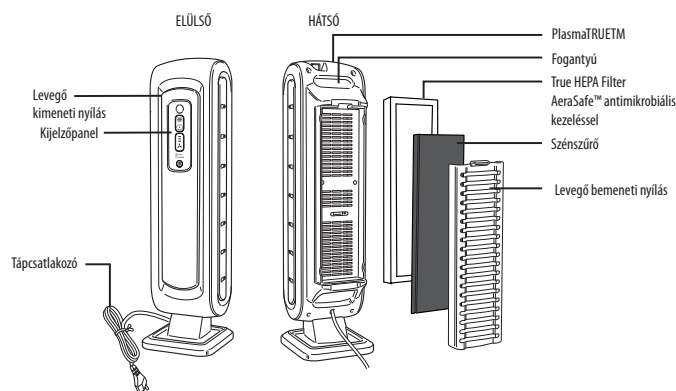
- KÜLÖNLEGESEN HALK MŰKÖDÉS:** Ez a Fellowes AeraMax™ légtisztító háromsebességű ventilátorral rendelkezik és különlegesen halk működésű, amely ideális a 24 órás használathoz.
- KÖNNYEN KARBANTARTHATÓ:** Az optimális teljesítmény érdekében cserélje a True HEPA szűrőt, amikor a HEPA Filter jelző piros színűre vált, vagy normál használat esetén körülbelül 12 havonta. Cserélje a szénszűrőt, amikor a szénszűrő jelző piros színűre vált, vagy körülbelül 3 havonta.
- AeraSmart™ ÉRZÉKELŐ:** Ez a légtisztító is levegőminőség-érzékelővel van ellátva, amely automatikusan módosítja a ventilátor sebességét, hogy a levegőt mindig tisztán tartsa. Kék, borostyánsárga és vörös fények jelzik Önnek a levegő tisztaságát.

KIJELZŐPANEL/FUNKCIÓK

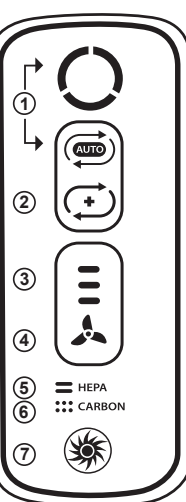
- AeraSmart™ ÉRZÉKELŐ:** Figyeli a levegő minőségét, és automatikusan szabályozza a ventilátor sebességét, hogy tisztán tartsa a levegőt. Amikor először bekapcsolják, az egység alapértelmezett automatikus működésre van állítva. Ha kézi vezérlésre van állítva, az auto ikon megnyomásával bármikor visszaléphet az automatikus üzemmódra.
- Aera+™ ÜZEMMÓD:** Az allergiaszezon csúcának megfelelő feltételekre tervezték. Az alacsony ventilátor sebességhez képest 35%-kal megnöveli a légcserét, hogy még több allergént szűrjön ki a levegőből az Ön számára. A(z) ikon lenyomásával válthat át Aera+™ üzemmódra. Az automatikus üzemmódba való visszatéréshez és a funkció kikapcsolásához nyomja meg a(z) ikont.
- VENTILÁTORSEBESSÉG JELZŐ:** Mutatja a ventilátor sebességének beállítását: alacsony, közepes vagy nagy sebesség.
- VENTILÁTORSEBESSÉG KÉZI BEÁLLÍTÁSA** – a ventilátor sebességének kiválasztásához érintse meg az ikont.
- TRUE HEPA SZÜRŐ CSERE JELZŐ** – Borostyánsárga és vörös fények jelzik, hogy mikor kell cserélni a szűrőt. A vörös fény jelzi, hogy mikor kell cserélni a szűrőt. (Normál használat esetén javasoljuk, hogy cserélje a szűrőt tizenkét havonta)
- SZÉNSZÜRŐ CSERE JELZŐ** – Borostyánsárga és vörös fények jelzik, hogy mikor kell cserélni a szűrőt. A vörös fény jelzi, hogy mikor kell cserélni a szűrőt. (Normál használat esetén javasoljuk, hogy cserélje a szűrőt háromhavonta.)
- PlasmaTRUE™ TECHNOLOGIA** – Ionizált mezőt hoz létre, így segíti a levegőben található káros anyagok biztonságos eltávolítását.

NÉGYFÁZISÚ TISZTÍTÓ RENDSZER

- SZÉNSZÜRŐ:** Megszünteti a szagokat és felfogja a nagy méretű, levegőben található részecskéket.
- TRUE HEPA SZÜRŐ:** Felfogja a 0,3 mikron alatti méretű részecskék 99,97%-át is, beleértve a parlagfüvet és az egyéb allergéneket, vírusokat, csirákat, poratkákat, penészspórákat, a háziállatok kórokozóit és a cigarettafüstöt.
- AeraSafe™ ANTIMIKROBIÁLIS KEZELÉS:** A True HEPA szűrő beépített védelmet jelent a baktériumok, penész, és a gombák által keltett szagok ellen.
- PlasmaTRUE™ TECHNOLOGIA:** A tisztítás utolsó fázisában a Fellowes® PlasmaTRUE™ technológia ionizált mezőt hoz létre, hogy segítse a levegőben található szennyező anyagok biztonságos eltávolítását.



- SZÜRŐCSERE JELZŐFÉNYEK:** Jelzik, hogy mikor kell cserélni a True HEPA szűrőt és a szénszűrőt, a használatától függően.
- HÁROMSEBESSÉGES BEÁLLÍTÁS:** Az ALACSONY, vagyis a halk, energia-takarékos működéstől kezdve a MAGAS fokozatig, amely a leghatékonyabb tisztítást eredményezi.
- Aera+™ ÜZEMMÓD:** Az allergiaszezon csúcának megfelelő feltételekre tervezték. Az alacsony ventilátor sebességhez képest 35%-kal megnöveli a légcserét, hogy még több allergént szűrjön ki a levegőből az Ön számára.



AeraSmart™ ÉRZÉKELŐ

A légminőséget jelző érzékelő megmutatja a levegő minőségének szintjét.

- A kék színt azt jelenti, hogy a levegő tiszta.
- A borostyánsárga színt azt jelenti, hogy a levegő minősége gyenge.
- A piros színt azt jelzi, hogy a levegőben magas a szennyező anyagok koncentrációja.

VENTILÁTORSEBESSÉG BEÁLLÍTÁSAI

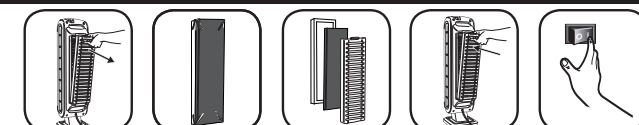


BIZTONSÁGI UTASÍTÁSOK/Figyelmeztetés

FIGYELMEZTETES: Kövesse a jelen kézikönyvben található utasításokat, mivel így csökkentheti az áramütés, rövidzárlat és/vagy tüzeset kockázatát:

- Az egységen ne végezzen semmilyen, jelen kézikönyvben kifejezetten nem javasolt javítást vagy módosítást. Minden javítási munkálatot szakképzett technikusknak kell végeznie.
- Ne erőltesse a csatlakozót elektromos dugaljba.
- A csatlakozón semmilyen módosítást ne hajtson végre. Ha a csatlakozó nem illeszkedik a dugaljba, fordítsa meg a csatlakozót. Ha így sem illeszkedik, vegye fel a kapcsolatot egy szakképzett technikussal egy megfelelő dugalj beszerelése céljából.
- Ne használja a terméket, amennyiben a tápkábel vagy a csatlakozó sérült, vagy ha a csatlakozó nem érintkezik biztosan a fali dugaljban.
- Kizárólag 220-240 voltos váltakozó áramra kösse.
- Vigyázzon, hogy a tápkábelt ne sértse vagy törje meg, ne hajlítsa meg erőteljesen, ne húzza meg, ne tekerje meg vagy fel, ne lássa el burkolattal, és ne szorítsa össze, illetve ne helyezzen nehéz tárgyakat a tápkábelre.
- Időnként távolítsa el a port a tápcsatlakozóról. Így csökken a lehetősége a nedvesség felgyülemelésének, ami növeli az áramütés veszélyét.
- Sérült tápvezeték esetén ezt a gyártónak, szerviz szakemberének vagy egyéb szakképzett személynek cserélnie kell a veszélyek elkerülése érdekében.
- Az egység tisztítása előtt húzza ki a tápcsatlakozót a dugaljból. A tápcsatlakozó dugaljból való kihúzásakor mindig a csatlakozót fogja meg, ne a kábelt.
- Húzza ki a tápcsatlakozót a dugaljból, ha nem használja az egységet.
- Ne nyúljon a tápcsatlakozóhoz nedves kezekkel.
- Ne működtesse az egységet beltéri, füstöt generáló rovarriasztó készülékekkel egyidejűleg.
- Az egység tisztítására ne használjon benzolt vagy festékfugát. Az egységre ne permetezzen rovarirtó szereket.
- Ne használja az egységet párás környezetben, vagy ahol az egységet nedvesség érheti, például a fürdőszobában.
- Ujját vagy idegen tárgyakat ne helyezze a levegő bemeneti vagy kimeneti nyílásaiba.
- Ne használja az egységet gyúlékony gázok közelében. Ne használja cigaretta, füstölő vagy egyéb szikraképződést előidéző eszközök közelében.
- Az egység nem távolítja el a fűtőberendezések vagy más források által kibocsátott szénmonoxidot.
- Ne zárja le a levegő bemeneti vagy kimeneti nyílásait.
- Ne használja forró tárgyak, például tűzhely közelében. Ne használja olyan helyen, ahol az egység gőzzel érintkezhet
- Az egységet ne használja oldalára fektetve.
- Tartsa távol olyan termékektől, amelyek olajos maradékokat hoznak létre, például mély olajsütő.
- Ne használjon tisztítószert az egység tisztításához.
- Ne használja szűrő nélkül.
- Ne mossa ki és ne használja fel újra a True HEPA szűrőt.
- Ne vezesse el a tápkábelt szőnyegek alatt, illetve ne helyezzen a tápkábelre kis méretű szőnyegeket.
- A gép mozgathatók mindig a fogantyújánál fogva emelje fel.
- A készüléket nem arra tervezték, hogy olyan személyek (köztük gyermekek) használják, akik csökkent fizikai, érzékszervi vagy értelmi képességekkel élnek, vagy nincs meg a kellő tapasztalatuk vagy tudásuk, kivéve, ha számukra felügyeletet biztosítanak vagy ha kapnak a készülék használatára vonatkozó utasításokat a biztonságukért felelős személytől.
- A készüléket 8 éves vagy annál idősebb gyerekek használhatják; a mozgásukban korlátozott és csökkent érzékszervi vagy mentális képességgel élők, illetve a készülék használatára vonatkozó tudással és gyakorlattal nem rendelkező személyek azonban nem használhatják, kivéve, ha a felügyeletük biztosított vagy a biztonságukért felelős személytől a készülék biztonságos használatára vonatkozóan utasítást kaptak és megértik a használattal járó veszélyeket. Ügyelni kell arra, hogy a gyerekek ne játszanak a készülékkel. A készülék tisztítását és karbantartását gyerekek csak felügyelet mellett végezhetik.

BEÁLLÍTÁS ÉS ÜZEMELTETÉS



MEGL.: a legkedvezőbb eredmények elérése érdekében kövesse ezeket az utasításokat Az egységet legalább ½ méter távolságra helyezze a falról. Az egységet ne helyezze zuzatos helyre. Ügyeljen, hogy a függönyök ne kerüljenek az egység közelébe, mivel gondot okozhatnak a levegő bemeneti vagy kimeneti nyílásainál. Helyezze az egységet olyan szilárd felületre, ahol szabadon mozog a levegő.

- Távolítsa el a védőfóliát a kezelőpanelről.
 - Nyomja össze a füleket és húzza ki a hátsó panelt.
 - Vegye le a zacskókat a szűrőkről. Helyezze vissza a szűrőket az egységbe.
 - Először a True HEPA szűrőt helyezze be, majd a szénszűrőt.
 - Először teljesen helyezze be a szűrőpanel alsó füleit, utána a felsőt addig, amíg kattanas nem hallatszik.
 - Csatlakoztassa a tápcsatlakozót fali dugaljba.
 - Kapcsolja be. Az egység éles hangon jelez.
- Az egység bekapcsolását követően körülbelül 4 percig villogni fognak a jelzőfények, amíg az egység elvégzi a levegő minőségére vonatkozó mérést.

ÁPOLÁS ÉS KARBANTARTÁS

TISZTÍTÁS:

Szükség esetén törölje le az egységet száraz, puha ruhával, makacsabb foltok esetén használjon meleg, nedves ruhát. Ne használjon illékony folyadékokat, például benzolt, festékfugát, vagy súrolóport, mert ezek károsíthatják az egység felületét. Az egységet tartsa szárazon.

HIBAEHÁRÍTÁS: Megoldások egyszerű problémák esetén

A szerviz felhívása előtt tekintse meg ezt a listát. Ez a lista azokat a problémákat foglalja magában, amelyek nem anyaghiba vagy gyártási hiba eredményei.

PROBLÉMA:	LEHETSÉGES MEGOLDÁS:
Az egység füstöt vagy szagokat bocsát a levegőbe.	Ellenőrizze, hogy az érzékelőt nem zárták-e el vagy nem dugult-e el. Helyezze közelebb az egységet a kellemetlen szagok forrásához. Szükség esetén cserélje a szűrőket.
Úgy tűnik, mintha az egység bocsátana ki szagokat.	Szükség esetén cserélje a szűrőket.
Az egység alig hallható kattogó hangot hallat.	Ez azt jelzi, hogy működik a PlasmaTRUE™ funkció.
Az egység interferenciát okoz a rádió- vagy televízió jel vételében.	Mivel az egység rádiófrekvenciás energiát sugároz, javasoljuk, hogy próbálja ki a következő megoldás(ok)ait: <ul style="list-style-type: none"> A jobb vétel érdekében állítsa át a televízió-/rádióantennát. Helyezze az egységet távolabb az érintett televízió-/rádiókészüléktől. Csatlakoztassa a tápcsatlakozót egy másik fali dugaljba, mint ahová a televízió/rádió tápcsatlakozóját.
A True HEPA és a szénszűrő jelzők továbbra is villogtanak a True HEPA és/vagy a szénszűrő cseréjét követően.	Ismételje meg a Beállítás és az Üzemeltetés részekben a szűrőjelző visszaállításra vonatkozó lépéseket.
A PlasmaTRUE™ ikon nem világít.	Érintse meg, és öt másodpercig tartsa lenyomva a PlasmaTRUE™ ikont, amíg az nem sápad.
Nem a megfelelő szűrőcsere jelző került visszaállításra.	Ha véletlenül állították vissza a szűrőt, ismételje meg a Beállítás és az Üzemeltetés részekben a szűrő visszaállítására vonatkozó eljárást a véletlenül elvégzett visszaállítástól számított 5 percen belül. A szűrő számlálója és a jelző visszaállnak a visszaállítást megelőző állapotba.

PORTUGUÊS

AeraMax™ DX5

Muito obrigado por ter adquirido um Purificador de ar Fellowes® AeraMax™. Leia este manual cuidadosamente antes de usar.

CONTEÚDO DA EMBALAGEM

- Purificador de ar Fellowes® AeraMax™
- Filtro de carbono (1 filtro)
- Filtro True HEPA com tratamento antimicrobiano AeraSafe™ (1 filtro)
- Manual de operação

ESPECIFICAÇÕES DO PURIFICADOR DE AR

Purificador de ar AeraMax™ DX5	
Área da sala servida	8 m²
Fonte de alimentação	CA 220-240 V/50 Hz
Potência	Baixa 49W, Elevada 68W
Velocidade da ventoinha	3 velocidades
Visor	Ecrã tátil
Tipo de controlo	Automático/Manual/Aera+™
Sensor de qualidade do ar	Sim
Filtros	1 Filtro True HEPA com tratamento antimicrobiano AeraSafe™ 1 Filtro de Carbono
Sistema de limpeza	Filtro de Carbono/Filtro True HEPA com tratamento antimicrobiano AeraSafe™/ PlasmaTRUE™
CADR	53 Fumo/ 51 Pó/ 58 Pólen
Cor	Branco
Especificações do filtro	
Substituição do filtro True HEPA	9287001
Substituição do filtro de carbono	9324001

Para a substituição de filtros, consulte: www.fellowes.com

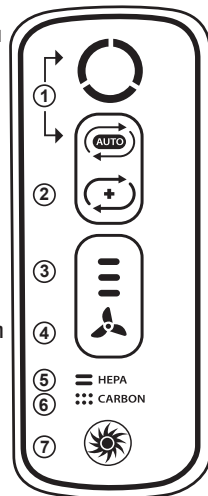
CARACTERÍSTICAS DO PURIFICADOR DE AR

- OPERAÇÃO ULTRASSILENCIOSA:** Este purificador de ar AeraMax™ da Fellowes tem uma ventoinha com três velocidades com operação ultrassilenciosa que é ideal para 24 horas de utilização.
- MANUTENÇÃO FÁCIL:** Para um desempenho ideal, substitua o filtro True HEPA quando o indicador do filtro HEPA tiver mudado para vermelho, ou aproximadamente a cada 12 meses em condições normais de utilização. Substitua o Filtro de Carbono quando o indicador do mesmo tiver mudado para vermelho ou aproximadamente a cada 3 meses.
- SENSOR AeraSmart™:** Este purificador de ar está equipado com um sensor de qualidade de ar que ajusta automaticamente a velocidade da ventoinha para manter o seu ar purificado. As luzes azul, âmbar e vermelha indicam a pureza do seu ar.

- LUZES INDICADORAS PARA A SUBSTITUIÇÃO DE FILTROS:** Indicam quando substituir o filtro True HEPA e o filtro de carbono, dependendo da utilização.
- AJUSTE DE TRÊS VELOCIDADES:** Desde velocidade BAIXA, para um funcionamento silencioso e energeticamente eficiente, à velocidade ALTA, para a limpeza mais eficaz.
- MODO Aera+™:** Concebido para condições de estação máximas de alergia. Aumenta a taxa de rotatividade do ar em 35% versus modo de ajuste de ventoinha baixo para remover ainda mais os alergénicos do seu ar.

VISOR/FUNÇÕES

- SENSOR AeraSmart™:** Monitoriza a qualidade do ar e ajusta automaticamente a velocidade da ventoinha para manter o seu ar puro. A unidade está predefinida para funcionamento automático na primeira vez que é ligada. Se se encontrar em funcionamento manual, regresse ao modo automático a qualquer altura premindo o ícone automático.
- MODO Aera+™:** Concebido para condições de estação máximas de alergia. Aumenta a taxa de rotatividade do ar em 35% versus modo de ajuste de ventoinha baixo para remover ainda mais os alergénicos do seu ar. Ative o modo Aera+™ premindo o ícone (☼). Para regressar ao funcionamento automático, prima o ícone (↻) uma vez mais para desligar.
- INDICADOR DA VELOCIDADE DA VENTONINHA:** Mostra a configuração atual da velocidade da ventoinha: baixa, média ou alta.
- AJUSTE MANUAL DA VELOCIDADE DA VENTONINHA** - Toque no ícone da ventoinha para selecionar manualmente a velocidade da ventoinha.
- INDICADOR DE SUBSTITUIÇÃO DO FILTRO TRUE HEPA** - As luzes âmbar e vermelha indicam quando é necessário substituir o filtro. A luz indicadora vermelha avisará quando for necessário substituir o filtro. (Recomenda-se a substituição do filtro a cada doze meses, em condições de utilização normal.)
- INDICADOR DE SUBSTITUIÇÃO DO FILTRO DE CARBONO** - As luzes indicadoras âmbar e vermelha indicam quando é necessário substituir o filtro. A luz indicadora vermelha avisará quando for necessário substituir o filtro. (Recomenda-se a substituição do filtro a cada três meses, em condições de utilização normal.)
- TECNOLOGIA PlasmaTRUE™** - Cria um campo ionizado para ajudar a remover em segurança os poluentes atmosféricos.

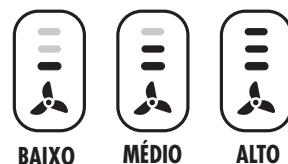


SENSOR AeraSmart™

O indicador de qualidade do ar apresenta níveis de qualidade do ar.

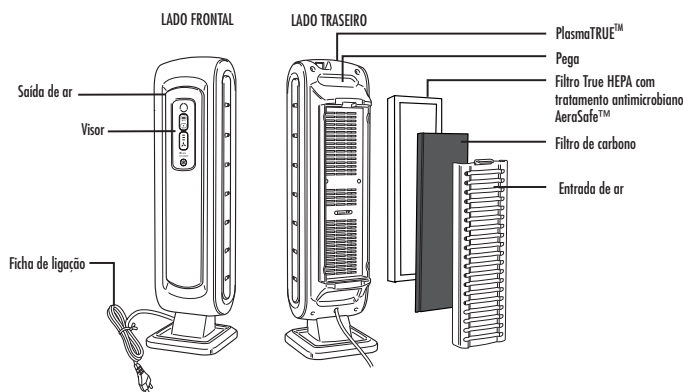
- O nível azul indica que o ar está limpo.
- O nível âmbar indica que a qualidade do ar é fraca.
- O nível vermelho indica que o nível de poluentes no ar é elevado.

AJUSTES DA VELOCIDADE DA VENTONINHA



SISTEMA DE PURIFICAÇÃO QUATRO NÍVEIS

- FILTRO DE CARBONO:** Elimina odores e capta grandes partículas suspensas no ar.
- FILTRO TRUE HEPA:** Capta 99,97% de partículas tão pequenas como 0,03 microns, incluindo ambrósia e outros alergénicos, vírus, germes, ácaros, esporos de bolor, resíduos de animais de estimação e fumo de cigarros.
- TRATAMENTO ANTIMICROBIANO AeraSafe™:** Proteção integrada do crescimento do odor que provoca bactérias, bolor e fungos no filtro True HEPA.
- TECNOLOGIA PlasmaTRUE™:** Na etapa final de purificação, a Tecnologia PlasmaTRUE™ da Fellowes® cria um campo ionizado para ajudar a remover em segurança os poluentes atmosféricos.



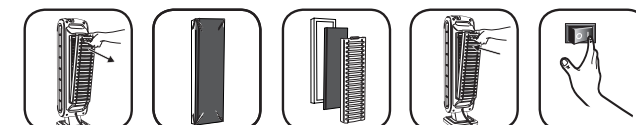
INSTRUÇÕES DE SEGURANÇA/ADVERTÊNCIA

ADVERTÊNCIA: Siga as instruções neste manual para reduzir o risco de choque elétrico, curto-circuito e/ou incêndio:

- Não repare nem modifique a unidade exceto se especificamente recomendado neste manual. Todas as reparações devem ser efetuadas por um técnico qualificado.
- Não force a entrada da ficha numa tomada elétrica.
- Não altere a ficha de forma alguma. Se a ficha não entrar na tomada, inverta a sua posição. Se continuar a não entrar, contacte um técnico qualificado para instalar uma tomada adequada.
- Não usar se o cabo de alimentação ou a ficha estiverem danificados ou se a ligação à tomada de parede estiver solta.
- Usar apenas com corrente CA de 220-240V.
- Não danifique, quebre, dobre, puxe, torça, ate, cubra, trilhe ou coloque objetos pesados sobre o cabo de alimentação.
- Remova periodicamente o pó da ficha de alimentação. Isso reduzirá as hipóteses de acumulação de humidade, o que aumenta o risco de choque elétrico.
- Se o cabo de alimentação estiver danificado, terá de ser substituído pelo fabricante, o respetivo representante de assistência técnica ou pessoas igualmente credenciadas, de modo a evitar perigos.
- Retire a ficha de alimentação da tomada antes de limpar a unidade. Quando retirar a ficha de alimentação, segure pela própria ficha e nunca pelo cabo.
- Retire a ficha de alimentação da tomada quando a unidade não estiver a ser usada.
- Não manuseie a ficha de alimentação com as mãos molhadas.
- Não opere a unidade quando usar inseticidas que produzam fumo para interiores.
- Não limpe a unidade com benzeno ou diluente. Não pulverize inseticidas sobre a unidade.
- Não utilize a unidade em locais húmidos ou onde a unidade possa ficar molhada, como uma casa de banho.
- Não introduza os dedos nem objetos estranhos na entrada ou saída de ar.

- Não utilize a unidade perto de gases inflamáveis. Não utilize perto de cigarros, incenso ou outros produtos que produzam faíscas.
- A unidade não removerá o monóxido de carbono emitido por aparelhos geradores de calor ou outras fontes.
- Não bloqueie as ventoinhas de entrada ou saída de ar.
- Não utilize perto de objetos quentes, como um forno. Não utilize em locais onde a unidade poderá entrar em contacto com vapor.
- Não utilizar a unidade na posição lateral.
- Mantenha a unidade afastada de produtos que produzam resíduos de óleo, como uma fritadeira.
- Não usar detergente para limpar a unidade.
- Não operar sem um filtro.
- Não lavar e reutilizar o filtro True HEPA.
- Não utilizar o cabo de alimentação debaixo de carpetes nem cubra com tapetes.
- Ao deslocar a máquina, levante sempre usando a pega.
- Este aparelho não se destina a ser utilizado por pessoas (incluindo crianças) com capacidades físicas, sensoriais ou mentais reduzidas, ou com falta de experiência e conhecimentos, a menos que sejam supervisionadas ou que tenham recebido instruções relativamente à utilização do aparelho por uma pessoa responsável pela sua segurança.
- Este aparelho pode ser usado por crianças a partir dos 8 anos de idade e pessoas com capacidades físicas, sensoriais ou mentais reduzidas, ou com falta de experiência e conhecimentos se forem supervisionadas ou receberem instruções relativamente à utilização do aparelho de forma segura e com compreensão dos perigos existentes. As crianças não devem brincar com o aparelho. A limpeza e manutenção por parte do utilizador não deve ser feita por crianças sem supervisão.

INSTALAÇÃO E OPERAÇÃO



NOTA: siga estas instruções para obter os melhores resultados

Coloque a unidade pelo menos a 50 cm da parede. Mantenha a unidade afastada de áreas com correntes de ar. Mantenha as cortinas longe da unidade, uma vez que podem interferir na entrada/saída de ar. Coloque a unidade sobre uma superfície estável com muita circulação de ar.

- Retire a película protetora do painel de controlo.
- Comprima a aba e retire o painel traseiro.
- Retire o saco dos filtros. Coloque os filtros novamente na unidade.
- Insira o filtro True HEPA primeiro e depois o filtro de carbono.
- Insira totalmente as abas inferiores do painel do filtro primeiro e depois insira a aba superior até ouvir um clique.
- Insira o cabo de alimentação na tomada de parede.
- Ligue a unidade. A unidade irá emitir um sinal sonoro.

Aproximadamente, durante os primeiros 4 minutos após ligar a unidade, os indicadores piscarão enquanto a unidade estiver a medir a qualidade do ar.

SUBSTITUIÇÃO DO FILTRO:

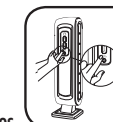
Os indicadores de substituição do filtro indicarão quando substituir o filtro True HEPA e/ou filtro de carbono. O período de substituição variará dependendo das horas de utilização e da qualidade do ar. Contudo, a maioria dos filtros True HEPA em utilização normal necessitará de ser substituído uma vez por ano e os filtros de carbono a cada 3 meses.

Não lave nem reutilize os filtros True HEPA ou de carbono — não funcionarão com eficiência. Use apenas filtros de substituição AeraMax™ da marca Fellowes.

ADVERTÊNCIA: Antes de substituir quaisquer filtros, certifique-se de remover a ficha da tomada de alimentação.

REINICIALIZAÇÃO DO INDICADOR DE FILTROS:

- Certifique-se de que o painel traseiro está bem encaixado.
- Ligue a unidade.
- Localize o ícone de substituição do filtro no visor.
- Prima e mantenha o ícone de substituição do filtro durante 3 segundos. Ícone do filtro HEPA irá piscar com a cor âmbar. Toque na área do ícone do filtro para alternar entre HEPA e Carbono.
- Assim que o filtro pretendido estiver iluminado, prima e mantenha durante 3 segundos. Um sinal sonoro curto será ouvido e a luz deverá desligar. Repita o processo para cada filtro conforme necessário.



CUIDADOS E MANUTENÇÃO

LIMPEZA:

Limpe a unidade conforme necessário passando um pano seco e suave; para as manchas mais difíceis, usar um pano quente e húmido. Não usar líquidos voláteis como benzeno, diluente, ou pó de limpeza, porque podem danificar a superfície da unidade. Mantenha a unidade seca.

RESOLUÇÃO DE PROBLEMAS: Soluções para problemas comuns

Consulte a lista antes de ligar para o serviço de assistência. Esta lista abrange problemas que não são causados por materiais defeituosos ou mão-de-obra.

PROBLEMA:	SOLUÇÃO POSSÍVEL:
A unidade deixa fumo e odores no ar.	Certifique-se de que o sensor não está bloqueado ou entupido. Desloque a unidade para mais perto dos odores ofensivos. Substitua os filtros conforme necessário.
A unidade parece produzir odores.	Substitua os filtros conforme necessário.
A unidade emite um ligeiro estalido.	Isso indica que a função PlasmaTRUE™ está a funcionar.
A unidade interfere com a receção de rádio ou de televisão.	Como a unidade irradia energia de frequência de rádio, sugerimos que tente uma ou mais das seguintes operações: - Para uma melhor receção, ajuste a antena de televisão/rádio. - Desloque a unidade para longe da televisão/rádio afetados. - Ligue o cabo de alimentação da unidade a uma tomada diferente da do cabo de alimentação da televisão/rádio.
Os indicadores do filtro True HEPA e do filtro de carbono irão permanecer ligados depois de substituir o filtro True HEPA e/ou o filtro de carbono.	Repita as instruções de reinicialização de iluminação do filtro a partir da secção de instalação e operação.
O ícone PlasmaTRUE™ não está iluminado.	Prima e mantenha o ícone PlasmaTRUE™ durante cinco segundos até que se ouça o sinal sonoro da unidade.
Foi reiniciada a luz de substituição do filtro errado.	Na eventualidade de reinício não intencional do filtro, repita o procedimento de reinício do filtro a partir da secção de instalação e operação após 5 minutos do reinício não intencional. O contador e indicador do filtro irão regressar ao estado anterior do reinício.

LIMITED PRODUCT WARRANTY

Limited Warranty: Fellowes, Inc. ("Fellowes") warrants the parts of the machine to be free of defects in material and workmanship and provides service and support for 3 years from the date of purchase by the original consumer. If any part is found to be defective during the warranty period, your sole and exclusive remedy will be repair or replacement, at Fellowes' option and expense, of the defective part. This warranty does not cover damage caused by use of non-Fellowes approved filters or failure to follow the recommended replacement schedule. This warranty does not apply in cases of abuse, mishandling, failure to comply with product usage standards, operation using an improper power supply (other than listed on the label), or unauthorized repair. Fellowes reserves the right to charge the consumers for any additional costs incurred by Fellowes to provide parts or services outside of

Australia Residents Only:

Our goods come with guarantees that cannot be excluded under the Australian Consumer Law. You are entitled to a replacement or refund for a major failure and for compensation for any other reasonably foreseeable loss or damage. You are also entitled to have the goods repaired or replaced if the goods fail to be of acceptable quality and the failure does not amount to a major failure.

GARANTIE LIMITÉE DU PRODUIT

Garantie limitée : Fellowes, Inc. (« Fellowes ») garantit les pièces de l'appareil contre tout vice de fabrication et de matériel et fournit entretien et assistance pendant une période de 3 ans à partir de la date d'achat par le consommateur initial. Si une pièce s'avère défectueuse pendant la période de garantie, votre seul et unique recours sera la réparation ou le remplacement de la pièce défectueuse selon les modalités et aux frais de Fellowes. Cette garantie ne couvre pas les dommages occasionnés par l'utilisation de filtres non approuvés par Fellowes ou le non-respect des périodes de remplacement des filtres. La présente garantie ne s'applique pas en cas d'abus, de manipulation incorrecte, de non-respect des normes d'utilisation du produit, d'utilisation du produit avec une alimentation électrique inadéquate (autre que celle répertoriée sur l'étiquette) ou de réparation non autorisée. Fellowes se réserve le droit de facturer aux clients tous frais supplémentaires dans l'éventualité où Fellowes doit fournir des pièces ou services en dehors du pays d'achat d'origine du purificateur d'air,

the country where the air purifier is initially sold by an authorized reseller. This warranty does not include the air cleaner's replaceable filters, this is an expendable part that can wear out from normal use before three years expire. ANY IMPLIED WARRANTY, INCLUDING THAT OF MERCHANTABILITY OR FITNESS FOR A PARTICULAR PURPOSE, IS HEREBY LIMITED IN DURATION TO THE APPROPRIATE WARRANTY PERIOD SET FORTH ABOVE. In no event shall Fellowes be liable for any consequential or incidental damages attributable to this product. This warranty gives you specific legal rights. The duration, terms, and conditions of this warranty are valid worldwide, except where different limitations, restrictions, or conditions may be required by local law. For more details or to obtain service under this warranty, please contact us or your dealer.

après d'un revendeur autorisé. Cette garantie n'inclut pas les filtres remplaçables du purificateur d'air, car les filtres sont des parties amovibles qui s'usent suite à une usure normale, bien avant la fin des trois ans de la garantie. TOUTE GARANTIE IMPLICITE, Y COMPRIS CELLE DE COMMERCIALISATION OU D'ADAPTATION À UN USAGE PARTICULIER, EST PAR LÀ PRÉSENTE LIMITÉE EN DURÉE À LA PÉRIODE DE GARANTIE APPROPRIÉE DÉFINIE CI-DESSUS. Fellowes ne pourra en aucun cas être tenu responsable de dommages indirects ou accessoires imputables à ce produit. Cette garantie vous donne des droits spécifiques. La durée, les conditions générales et les conditions de cette garantie sont valables dans le monde entier, excepté en cas de prescription, de restrictions ou de conditions exigibles par les lois locales. Pour plus de détails ou pour obtenir un service sous garantie, veuillez nous contacter ou vous adresser à votre revendeur.

GARANTÍA LIMITADA

Garantía limitada: Fellowes, Inc. ("Fellowes") garantiza que las piezas de la máquina no poseen defectos de material ni de mano de obra y proporciona servicio y soporte técnico durante 3 años a partir de la fecha en que el consumidor original haya adquirido el producto. Si se encuentra algún defecto en cualquiera de las piezas durante el periodo de garantía, la única y exclusiva solución será la reparación o el cambio de la pieza defectuosa, a criterio y cuenta de Fellowes. Esta garantía no cubre los daños provocados por el uso de filtros no aprobados por Fellowes o por el incumplimiento de los plazos de sustitución recomendados. Esta garantía queda invalidada en casos de abuso, mal uso, incumplimiento de las condiciones de uso del producto, uso con una fuente de energía inadecuada (distinta a la indicada en la etiqueta) o en casos de reparación no autorizada. Fellowes se reserva el derecho de cobrar al consumidor los costes adicionales incurridos por parte de Fellowes al proveer piezas o servicios fuera del país donde el purificador de aire se haya vendido inicialmente a

través de un vendedor autorizado. Esta garantía no incluye los filtros reemplazables del purificador de aire, puesto que son piezas fungibles que se desgastan con el uso normal en un plazo inferior a tres años. CUALQUIER GARANTÍA IMPLÍCITA, INCLUIDA LA DE COMERCIALIZACIÓN O APTITUD PARA UN PROPÓSITO DETERMINADO, QUEDA LIMITADA POR LA PRESENTE EN SU DURACIÓN AL CORRESPONDIENTE PERIODO DE GARANTÍA ESTABLECIDO ANTERIORMENTE. En ningún caso Fellowes será responsable de ningún daño, directo o indirecto, que pueda atribuirse a este producto. Esta garantía le confiere derechos legales específicos. La duración, los términos y las condiciones de esta garantía son válidos en todo el mundo, excepto en los lugares donde la legislación local exija limitaciones, restricciones o condiciones diferentes. Para obtener más detalles o recibir servicio conforme a esta garantía, comuníquese con nosotros o con su distribuidor.

BESCHRÄNKTE PRODUKTGARANTIE

Beschränkte Garantie: Fellowes, Inc. („Fellowes“) garantiert, dass die Geräterteile für einen Zeitraum von 3 Jahren ab Kaufdatum durch den Erstkäufer frei von Material- und Verarbeitungsfehlern sind. Sollte sich ein Teil während der Garantiezeit als defekt erweisen, haben Sie nach Ermessen von Fellowes einzig und allein Anspruch auf kostenlose Reparatur oder kostenlosen Ersatz des defekten Teils. Diese Garantie deckt keine Schäden ab, die durch die Nutzung von Filtern, die nicht von Fellowes zugelassen wurden, oder eine Nichteinhaltung des empfohlenen Ersatzverfahrens verursacht wurden. Diese Garantie schließt Missbrauch, unsachgemäße Handhabung, Nichteinhaltung von Produktnutzungsstandards, Betrieb mit einer falschen (einer anderen als auf dem Etikett angegebenen) Stromversorgung oder unbefugte Reparaturen aus. Fellowes behält sich das Recht vor, den Verbrauchern zusätzliche Kosten in Rechnung zu stellen, die für Fellowes anfallen, um Teile oder Dienstleistungen außerhalb des Landes zur Verfügung zu stellen, in dem der Luftreiniger

ursprünglich von einem autorisierten Wiederverkäufer verkauft worden ist. Diese Garantie umfasst nicht die austauschbaren Filter des Luftreinigers, da es sich bei diesen um Verschleißteile handelt, die vor Ablauf der drei Jahre abgenutzt sein können. ALLE STILLSCHWEIGENDEN GARANTIEN, EINSCHLIESSLICH DIE DER MARKTGÄNGIGKEIT ODER EIGNUNG FÜR EINEN BESTIMMTEN ZWECK, WERDEN HIERMIT AUF DIE DAUER DER VORSTEHEND ANGEFUHRTEN GARANTIEZEIT BESCHRÄNKT. Auf keinen Fall haftet Fellowes für eventuell im Zusammenhang mit diesem Produkt auftretende Neben- oder Folgeschäden. Diese Garantie gewährt Ihnen bestimmte Rechte. Dauer, Bedingungen und Konditionen dieser Garantie gelten weltweit, außer wenn lokale Gesetze andere Begrenzungen, Einschränkungen oder Konditionen vorschreiben. Um mehr Details zu erfahren oder Serviceleistungen im Rahmen dieser Garantie in Anspruch zu nehmen, wenden Sie sich bitte an uns oder Ihren Händler.

GARANZIA LIMITATA DEL PRODOTTO

Garanzia limitata Fellowes, Inc. ("Fellowes") garantisce i componenti della macchina da difetti di materiali e lavorazione e offrirà manutenzione e assistenza per un periodo di 3 anni dalla data di acquisto da parte dell'acquirente originale. Nel caso in cui si riscontrino difetti durante il periodo di garanzia, il rimedio esclusivo a disposizione del cliente sarà la riparazione o la sostituzione del prodotto difettoso, a carico di Fellowes e a sua discrezione. Questa garanzia non si applica ai danni causati dall'uso di filtri non approvati da Fellowes o dalla mancata osservanza degli intervalli di sostituzione specificati. Questa garanzia non è valida in caso di abuso e uso improprio dell'apparecchio, mancata osservanza degli standard di impiego del prodotto, alimentazione elettrica non corretta dell'apparecchio (diversa da quella indicata sull'etichetta) o riparazioni non autorizzate. Fellowes si riserva il diritto di addebitare al consumatore qualsiasi costo supplementare da essa stessa sostenuto per fornire ricambi o assistenza fuori dal Paese in cui il depuratore d'aria è stato venduto

da un rivenditore autorizzato. Questa garanzia non si applica ai filtri sostituibili del depuratore d'aria poiché questi sono componenti che possono usurarsi in condizioni di uso normale prima della scadenza dei tre anni. EVENTUALI GARANZIE IMPLICITE, COMPRESSE QUELLE DI COMMERCIALITÀ O IDONEITÀ PER UNO SCOPO SPECIFICO, SONO SOGGETTE AI LIMITI DI DURATA STABILITI NELLA GARANZIA SOPRA INDICATA. In nessun caso Fellowes sarà ritenuta responsabile di danni indiretti o incidentali attribuibili a questo prodotto. La presente garanzia concede diritti legali specifici. La durata, i termini e le condizioni della presente garanzia sono validi in tutto il mondo, a eccezione dei luoghi in cui, in base alle norme di legge, siano previste limitazioni, restrizioni o condizioni diverse. Per ulteriori dettagli al riguardo o per richiedere assistenza in garanzia, si raccomanda di contattarci direttamente o di consultare il rivenditore.

BEPERKTE PRODUCTGARANTIE (NEDERLAND)

Beperkte garantie: Fellowes, Inc. ("Fellowes") garandeert dat de onderdelen van het toestel vrij zijn van materiaal- en productiefouten, en verleent service en ondersteuning gedurende gedurende 3 jaar vanaf datum van aankoop door de originele gebruiker. Als van enig onderdeel tijdens de garantieperiode wordt vastgesteld dat het defect is, is uw enige en exclusieve verhaal de reparatie of vervanging van het defecte onderdeel, dit naar keuze en op kosten van Fellowes. Deze garantie dekt geen schade die wordt veroorzaakt door het gebruik van niet door Fellowes goedgekeurde filters of het niet volgen van het aanbevolen vervangingschema. Deze garantie is niet van toepassing in geval van misbruik, verkeerd gebruik, het niet naleven van de gebruiksnormen voor het product, gebruik van een onjuiste stroombron (anders dan wat op het label vermeld staat), of onbevoegde reparatie. Fellowes behoudt zich het recht voor om consumenten aanvullende kosten in rekening te brengen, die door Fellowes zijn opgelopen om onderdelen of diensten te verstrekken buiten het land

BEGRÄNSAD PRODUKTGARANTI (SVENKA)

Begränsad garanti: Fellowes, Inc. ("Fellowes") garanterar att maskinens delar är fria från materialfel eller tillverkningsfel och ger service och support under 3 år efter försäljning till första kund. Om någon del är defekt under garantiperioden kommer den enda och uteslutande ersättningen att bli reparation eller en ersättningsprodukt enligt Fellowes val och kostnad motsvarande den defekta delen. Denna garanti täcker inga skador som uppstår genom användning av filter som ej har godkänts av Fellowes eller underlåtenhet att följa rekommenderade utbytesscheman. Denna garanti gäller inte vid missbruk, misskötsel, underlåtenhet att respektera föreskrifterna för produktanvändning, bruk av olämpligt eluttag (annat än vad som anges på märkskylten) eller icke auktoriserad reparation. Fellowes förbehåller sig rätten att ta betalt av kunder för extra kostnader som Fellowes ådrar sig för att tillhandahålla reservdelar eller tjänster utanför det land där luftrenaren ursprungligen såldes

BEGRÆNSET PRODUKTGARANTI (DANSK)

Begrænset garanti: Fellowes, Inc. ("Fellowes") garanterer, at alle maskinens dele er fri for materialedefekter og fabriktionsfejil og yder servicearbejde og support til den oprindelige kunde i 3 år fra købsdatoen. Hvis det konstateres, at en del er defekt under garantiperioden, vil den eneste og eksklusive afhjælpende foranstaltning være reparation eller ombygning, efter Fellowes valg og omkostning, af den defekte del. Denne garanti dækker ikke skader, der er forårsaget pga. brug af andre filtre end de af Fellowes anbefalede filtre eller manglende overholdelse af udskiftningskemaet. Denne garanti er ugyldig i tilfælde af misbrug, forkert anvendelse, undladelse af at overholde produktets anvendelsesstandarder, betjening med forkert strømforsyning eller uautoriseret reparation. Fellowes forbeholder sig retten til at fakturere forbrugeren for yderligere omkostninger erholdt af Fellowes for at levere dele eller service udenfor det land, hvor luftrenseren

TUOTTEEN RAJOITETTU TAKUU (SUOMI)

Rajoitettu takuu: Fellowes, Inc. ("Fellowes") takaa, että koneen osissa ei ole materiaali- ja valmistusvikoja. Yhtiö tarjoaa osien huollon ja asiakastuen 3 vuodeksi tuotteen alkuperäisestä ostopäivästä lukien. Jos osassa havaitaan vika takuuajana, ainoana ja yksinmaisena ratkaisuna on viallisen osan korjaus tai vaihto Fellowesin valinnan mukaan ja kustannuksella. Tämä takuu ei kata vahinkoja, jotka aiheutuvat muiden kuin Fellowesin hyväksymien suodattimien käytöstä tai suositellun vaihtoaikataulun noudattamatta jättämisestä. Takuu ei kata väärinkäyttöä, virheellistä käsittelyä, tuotteen normaaleista käyttöavoista poikkeavaa käyttöä, laitteen käyttöä epäasianmukaisella virtalähteellä (muu kuin tuotetarrassa on mainittu) tai valtuuttamatonta korjausta. Fellowes pidättää oikeuden veloittaa asiakkaalta mahdolliset lisäkustannukset, jotka aiheutuvat siitä, että Fellowes toimittaa osia tai palveluja muuhun kuin siihen maahan, jossa

BEGRENSET PRODUKTGARANTI (NORSK)

Begrenset garanti: Fellowes, Inc. ("Fellowes") garanterer at maskindelene er fri for defekter i materiale og utførelse, og leverer service og støtte i tre år fra kjøpsdato for den opprinnelige kjøperen. Hvis det skulle oppstå defekter på noen del i garantiperioden, vil den eneste og eksklusive godtgjørelsen være reparasjon eller utskifting av denne, etter Fellowes valg og for selskapets regning. Denne garantien dekker ikke skade forårsaket av filtre som ikke er godkjent av Fellowes eller unnløtelse av å følge den anbefalte tidsrammen for bytte. Denne garantien er ikke gyldig ved misbruk, håndtering på feil måte, hvis bruksstandardene for produktet ikke er fulgt, hvis det er brukt feil strømforsyning (som ikke er oppført på etiketten) eller ikke-autoriserte reparasjoner. Fellowes forbeholder seg retten til å belaste kunden for eventuelle ekstrakostnader som Fellowes påløper for å skaffe deler eller tjenester utenfor landet der luftrenserens ble solgt av en autorisert

waar de luchtzuiveringsinstallatie oorspronkelijk werd verkocht door een bevoegde wederverkoper. Deze garantie geldt niet voor de vervangbare filters van de luchtzuiveringsinstallatie. Deze vormen verbruiksonderdelen die versleten kunnen raken ten gevolge van normaal gebruik voordat drie jaar zijn verstreken. ALLE IMPLICIETE GARANTIES, INCLUSIEF GARANTIES MET BETREKKING TOT VERKOOPBAARHEID OF GESCHIKTHEID VOOR EEN BEPAALD DOEL, WORDEN HIERBIJ BEPERKT IN DUUR TOT DE HIERBOVEN AANGEGEVEN TOEPASSELIJKE GARANTIEPERIODE. Fellowes is in geen geval aansprakelijk voor enige incidentele of gevolgschade die aan dit product kan worden toegeschreven. Deze garantie verleent u specifieke wettelijke rechten. De duur, bepalingen en voorwaarden van deze garantie zijn over de hele wereld van kracht, behalve waar mogelijk andere beperkingen, restricties of voorwaarden vereist zijn door de plaatselijke wetgeving. Voor nadere details of als u gebruik wilt maken van de service onder deze garantie, neemt u contact op met ons of met uw dealer.

av en auktoriserad återförsäljare. Denna garanti omfattar inte luftrenarens utbytesfilter. De är förbrukningsartiklar som under normal användning kan bli uttjänta före treårsperiodens utgång. ALLA UNDERFÖRSTÄDDA GARANTIER, INKLUSIVE SÄLJBARHET ELLER LÄMPLIGHET FÖR NÅGOT SPECIELLT ÄNDAMÅL, BEGRÄNSAS HÄR GENOM DEN TILLÄMPLIGA GARANTIPERIOD SOM ANGES OVAN. Under inga omständigheter kan Fellowes hållas ansvarigt för följskador eller tillfälliga skador som kan härredas till denna produkt. Denna garanti ger dig specifika juridiska rättigheter. Villkoren och varaktigheten för denna garanti gäller överallt utom där lagsiftningen ställer andra begränsningar eller villkor. För vidare information eller för att erhålla garantiservice ska försäljningsställe eller Fellowes kontaktas.

oprindeligt blev solgt af en autoriseret detailforhandler. Denne garanti omfatter ikke luftrenserens udskiftelige filtre; det er en engangsdel, som kan blive slidt op ved normal brug før udløbstiden på tre år. ENHVER IMPLICIT GARANTI, INKLUSIV SALGBARHED ELLER BRUGSEGNETHED TIL ET SPECIELT FORMÅL, ER HERMED BEGRÆNSET I VARIGHED TIL DEN PÅGÆLDENDE GARANTIPERIODE SOM NÆVNT OVENFOR. I intet tilfælde er Fellowes ansvarlig for nogen følge- eller indirekte skader, som kan henføres til dette produkt. Denne garanti giver dig specifikke juridiske rettigheder. Varighed, betingelser og vilkår under denne garanti er gældende på verdensplan, undtagen hvor andre begrænsninger, restriktioner eller forhold kræves af den lokale lov. For yderligere detaljer eller for at få service inden for denne garantiperiode bedes du venligst kontakte os eller din forhandler.

valtuutettu jälleenmyyjä on tuotteen alun perin myynyt. Tämä takuu ei kata ilmanpuhdistimen vaihdettavia suodattimia, sillä ne ovat kulutusosia, jotka voivat kulua loppuun normaalissa käytössä ennen kolmen vuoden umpeen kulumista. KAIKKIEN HILJAISTEN TAKUIDEN, MUKAAN LUKIEN KAUPALLISTAMINEN TAI SOVELTUUVUUS TIETTYÄ TARKOITUSTA VARTEN, KESTO ON SITEN RAJATTU EDELLÄ MÄÄRÄTYN TAKUUAJAN MUKAISESTI. Fellowes ei vastaa missään tapauksessa tästä tuotteesta johtuvista välillisistä tai tahattomista vahingoista. Tämä takuu antaa käyttäjälle erityiset lainmukaiset oikeudet. Tämän takuun kesto ja ehdot ovat voimassa maailmanlaajuisesti lukuun ottamatta paikallisen lainsäädännön edellyttämiä erilaisia rajoituksia tai ehtoja. Lisätietoja tai takuunalaisia palveluja on saatavissa meiltä tai jälleenmyyjältäsi.

forhandler. Garantien omfatter ikke luftrenseren utskiftbare filtre, dette er en unnværlig del som kan slites ut fra normal bruk før det går tre år. ENHVER UNDERFORSTÅTT GARANTI, INKLUDERT DET SOM MÅTTE GJELDE SALGBARHET ELLER EGNETHET FOR ET BESTEMT FORMÅL, ER HERVED BEGRENSET TIL VARIGHETEN AV DEN AKTUELLE GARANTIPERIODEN SOM ER ANGITT OVENFOR. Fellowes skal ikke under noen omstendighet kunne holdes ansvarlig for følgeskader eller tilfældige skader som kan tilskrives dette produktet. Denne garantien gir deg visse juridiske rettigheter. Garantien varighet, vilkår og betingelser er gyldige verden over, unntatt der hvor lokale lover måtte pålegge ulike begrensninger, restriksjoner eller betingelser. Ta kontakt med oss eller forhandleren for mer informasjon, eller for å få service ifølge garantien.

OGRANICZONA GWARANCJA NA PRODUKT

Ograniczona gwarancja: Firma Fellowes, Inc. („Fellowes”) gwarantuje, że elementy urządzenia pozbawione są wad materiałowych i wykonawczych, oraz zapewnia usługi wsparcia technicznego i serwisowego przez okres 3 lat od dnia zakupu przez pierwszego użytkownika. Jeżeli w okresie gwarancji jakakolwiek część urządzenia okaże się uszkodzona, użytkownikowi przysługuje wyłączenie prawa naprawy lub wymiany uszkodzonej części na koszt i zgodnie z decyzją firmy Fellowes. Niniejsza gwarancja nie obejmuje szkód spowodowanych przez zastosowanie filtrów innych niż zatwierdzone przez firmę Fellowes lub niezastosowanie się do zalecanego harmonogramu wymiany filtrów. Niniejsza gwarancja nie obejmuje szkód spowodowanych przez zastosowanie filtrów innych niż zatwierdzone przez firmę Fellowes lub niezastosowanie się do zalecanego harmonogramu wymiany filtrów. Niniejsza gwarancja nie obowiązuje w przypadku nieprawidłowego posługiwania się, eksploatacji, niezgodności z normami użytkowania, zastosowania do uruchomienia urządzenia niewłaściwego rodzaju zasilania (innego niż wymieniony na etykiecie) lub nieautoryzowanej naprawy. Fellowes zastrzega sobie prawo do obciążania użytkowników wszelkimi dodatkowymi kosztami poniesionymi przez firmę

ОГРАНИЧЕННАЯ ГАРАНТИЯ НА ИЗДЕЛИЕ

Ограниченная гарантия. Компания Fellowes, Inc. (“Fellowes”) гарантирует отсутствие дефектов материалов и качество изготовления деталей этого оборудования и обеспечивает сервисное обслуживание и поддержку этих деталей в течение 3 лет со дня покупки первоначальным покупателем. Если в течение гарантийного срока будет обнаружен дефект какой-либо детали, предусмотренная компенсация будет заключаться исключительно в ремонте или замене неисправной детали по усмотрению и за счет Fellowes. Гарантия не распространяется на ущерб, причиненный использованием фильтров, не одобренных компанией Fellowes, или неисправностью, возникшей вследствие несоблюдения рекомендуемой процедуры замены. Данная гарантия не распространяется на случаи неправильной эксплуатации, неправильного обращения, несоблюдения эксплуатационных норм, эксплуатации устройства при ненадлежащих параметрах электропитания (отличных от указанных на этикетке), а также несанкционированного ремонта. Компания Fellowes оставляет за собой право взыскивать с покупателей любые дополнительные расходы, понесенные

ΠΕΡΙΟΡΙΣΜΕΝΗ ΕΓΓΥΗΣΗ ΤΟΥ ΠΡΟΙΟΝΤΟΣ (ΕΛΛΗΝΙΚΑ)

Περιορισμένη Εγγύηση: Η εταιρία Fellowes, Inc. («Fellowes») εγγυάται ότι τα εξαρτήματα του μηχανήματος δεν έχουν ελαττώματα σε υλικά και εργατικά και παρέχει συντήρηση και υποστήριξη για 3 έτη από την ημερομηνία αγοράς από τον αρχικό αγοραστή. Εάν παρουσιαστεί ελάττωμα σε οποιοδήποτε εξάρτημα κατά την περίοδο εγγύησης, η μόνη και αποκλειστική σας αποκατάσταση θα είναι η επισκευή ή η αντικατάσταση, κατά την επιλογή και με έξοδα της Fellowes, του ελαττωματικού εξαρτήματος. Αυτή η εγγύηση δεν καλύπτει ζημιές που προκαλούνται από τη χρήση φίλτρων που δεν έχουν εγκριθεί από την Fellowes ή αν δεν τηρηθεί το συνιστώμενο χρονοδιάγραμμα αντικατάστασης. Αυτή η εγγύηση δεν ισχύει σε περιπτώσεις κακομεταχείρισης, ακατάλληλου χειρισμού, μη συμμόρφωσης με τα πρότυπα χρήσης του προϊόντος, λειτουργίας με τη χρήση ακατάλληλης ηλεκτρικής τροφοδοσίας (εκτός από αυτήν που αναφέρεται στην ετικέτα) ή μη εξουσιοδοτημένων επισκευών. Η Fellowes διατηρεί το δικαίωμα να χρεώσει τους πελάτες για οποιοδήποτε πρόσθετο κόστος στο οποίο υποβάλλεται η Fellowes για να παρέχει εξαρτήματα ή υπηρεσίες εκτός της χώρας στην οποία πούληθηκε αρχικά ο ιονιστής

UÅNRUÅNNUÅNN SINIRLI GARANTISI (TÜRKÇE)

Sınırlı Garanti: Fellowes, Inc. (“Fellowes”), makinenin parçalarının, ilk tüketici tarafından satın alınma tarihinden itibaren 3 yıl süreyle malzeme ve işçilik açısından kusursuz olacağını garanti ederek servis ve destek sağlar. Eğer garanti dönemi içinde herhangi bir parça kusurlu bulunursa, tek ve özel tazminatınız, seçme hakkı ve masrafları Fellowes’a ait olmak üzere, söz konusu parçanın onarılması veya değiştirilmesidir. Bu garanti, Fellowes onaylı olmayan filtrelerin kullanımı sonucu oluşan hasarları veya önerilen değişim takvimine uyulmamasından doğan arızaları kapsamaz. Bu garanti; kötü kullanım, yanlış kullanım, ürün kullanım standartlarına uyulmaması, cihazın yanlış (etiketinde belirtilenin dışında) güç kaynağı ile çalıştırılması veya yetkisiz kişilerce tamir edilmesi durumlarında uygulanmaz. Fellowes’un, hava temizleyicisinin yetkili bir satıcı tarafından ilk olarak satıldığı ülkeden farklı bir ülkede parça veya servis sağlarken yaptığı masrafları tüketicilerden

OMEZENÁ ZÁRUKA NA VÝROBEK (ČESKY)

Omezená záruka: Společnost Fellowes, Inc. („Fellowes”) zaručuje, že součástky zařízení budou bez jakýchkoliv vad materiálu a provedení po dobu 3 let od data nákupu původním spotřebitelem a na stejnou dobu poskytuje servis a technickou podporu. Pokud se v průběhu záruční doby ukáže jakákoliv část jako vadná, bude vaše jediná a výlučná forma nápravy oprava nebo výměna vadné části podle volby a na náklady společnosti Fellowes. Tato záruka se nevztahuje na škody způsobené používáním jiných filtrů než filtrů schválených společností Fellowes nebo nedodržením doporučeného harmonogramu výměn. Tato záruka se nevztahuje na případy špatného zacházení se zařízením, na jeho chybný provoz, nedodržení norem pro jeho používání, provoz zařízení s nesprávným napětím (jiným, než je uvedeno na štítku) nebo na neoprávněné opravy. Společnost Fellowes si vyhrazuje právo účtovat zákazníkům dodatečné náklady spojené s dodatkou náhradních dílů nebo servisu mimo zemi, v níž autorizovaný

Fellowes w związku z koniecznością dostarczenia części zamiennych lub serwisowania oczyszczacza poza krajem, w którym został on sprzedany przez autoryzowanego sprzedawcę. Niniejsza gwarancja nie obejmuje zamiennych filtrów oczyszczacza. Filtry są materiałami eksploatacyjnymi, które mogą zużyć się w wyniku normalnej pracy przed upłynięciem okresu trzech lat. WSZELKIE DOROZUMIANE GWARANCJE, ŁĄCZNIE Z GWARANCJĄ ZDATNOŚCI HANDLOWEJ I ZDATNOŚCI DO OKREŚLONEGO UŻYTKU SĄ NINIEJSZYM OGRANICZONE W CZASIE DO PODANEGO POWYŻEJ OKRESU TRWANIA ODPOWIEDNIEJ GWARANCJI. W żadnym razie firma Fellowes nie będzie ponosiła odpowiedzialności za szkody wtórne ani uboczne powiązane z urządzeniem. Niniejsza gwarancja daje użytkownikowi konkretne prawa. Czas trwania i warunki niniejszej gwarancji obowiązują na całym świecie, z wyjątkiem sytuacji, gdy lokalne przepisy nakładają inne ograniczenia lub warunki. W razie dalszych pytań lub konieczności wezwania serwisu prosimy o kontakt z nami lub dostawcą urządzenia.

ею в связи с предоставлением запчастей или услуг за пределами страны первоначальной продажи воздухоочистителя авторизованным дилером компании. Данная гарантия не распространяется на сменные фильтры воздухоочистителя, поскольку это компоненты одноразового применения, которые могут изнашиваться при нормальной эксплуатации до истечения трех лет. ЛЮБАЯ ПОДРАЗУМЕВАЕМАЯ ГАРАНТИЯ, В ТОМ ЧИСЛЕ ГАРАНТИИ ТОВАРНОГО СОСТОЯНИЯ И ПРИГОДНОСТИ ДЛЯ ИСПОЛЬЗОВАНИЯ В ОПРЕДЕЛЕННЫХ ЦЕЛЯХ, ТАКИМ ОБРАЗОМ, ОГРАНИЧИВАЕТСЯ УКАЗАННЫМ ВЫШЕ ГАРАНТИЙНЫМ СРОКОМ. Ни при каких обстоятельствах Fellowes не несет ответственности за какие-либо косвенные или случайные убытки, которые могут быть вызваны этим изделием. Эта гарантия предоставляет вам определенные юридические права. Срок действия и условия настоящей гарантии действительны во всем мире за исключением стран, где местное законодательство может налагать другие ограничения или условия. Для получения более подробной информации или сервисного обслуживания по этой гарантии свяжитесь с нами или со своим дилером.

από έναν εξουσιοδοτημένο μεταπωλητή. Η παρούσα εγγύηση δεν περιλαμβάνει τα αντικαταστάσιμα φίλτρα της συσκευής καθαρισμού αέρα, διότι πρόκειται για αναλώσιμο ανταλλακτικό το οποίο μπορεί να φθαρεί από φυσιολογική χρήση πριν από τη λήξη των τριών ετών. ΟΠΟΙΑΔΗΠΟΤΕ ΥΠΟΝΟΟΥΜΕΝΗ ΕΓΓΥΗΣΗ, ΣΥΜΠΕΡΙΛΑΜΒΑΝΟΜΕΝΩΝ ΕΓΓΥΗΣΕΩΝ ΕΜΠΟΡΕΥΣΙΜΟΤΗΤΑΣ Ή ΚΑΤΑΛΛΗΛΟΤΗΤΑΣ ΓΙΑ ΣΥΓΚΕΚΡΙΜΕΝΟ ΣΚΟΠΟ, ΠΕΡΙΟΡΙΖΕΤΑΙ ΔΙΑ ΤΟΥ ΠΑΡΟΝΤΟΣ ΣΕ ΔΙΑΡΚΕΙΑ ΙΣΗ ΜΕ ΤΗΝ ΑΝΑΛΟΓΗ ΔΙΑΡΚΕΙΑ ΕΓΓΥΗΣΗΣ ΠΟΥ ΑΝΑΦΕΡΕΤΑΙ ΠΑΡΑΠΑΝΩ. Η εταιρία Fellowes δεν θα είναι σε καμία περίπτωση υπεύθυνη για οποιοδήποτε συνεπαγόμενες ή συμπτωματικές ζημιές αποδοτές σε αυτό το προϊόν. Αυτή η εγγύηση σας δίνει συγκεκριμένα νομικά δικαιώματα. Η διάρκεια, οι όροι και οι προϋποθέσεις αυτής της εγγύησης ισχύουν σε παγκόσμιο επίπεδο, εκτός από τις περιπτώσεις στις οποίες μπορεί να απαιτούνται από την τοπική νομοθεσία συγκεκριμένοι περιορισμοί ή ειδικές απαγορεύσεις ή προϋποθέσεις. Για περισσότερες λεπτομέρειες, ή για να λάβετε υπηρεσίες με βάση αυτή την εγγύηση, παρακαλείσθε να επικοινωνήσετε μαζί μας ή με τον αντιπρόσωπο της περιοχής σας.

talep etme hakkı saklıdır. İşbu garanti hava temizleyicinin değiştirilebilir filtrelerini kapsamaz, söz konusu parçalar üç yıllık garanti süreci dolmadan normal kullanım sürecinde yıpranıp kullanılamaz hale gelebilir. SATILABİLİRLİK VE BELLİ BİR AMACA UYGUNLUK GARANTİLERİ DAHİL OLMAK ÜZERE, HER TÜRLÜ ZİMNİ GARANTİLERİN SÜRESİ, YUKARIDA BEYAN EDİLEN İLGİLİ GARANTİ DÖNEMİ İLE SINIRLIDIR. Fellowes, bu ürünün kullanılmasına bağlı olarak ya da kullanılması sonucunda oluşan zararlardan hiçbir şekilde sorumlu değildir. Bu garanti size belirli yasal haklar verir. Bu garantinin süresi ve şartları, yerel yasaların gerektirebileceği sınırlamalar, kısıtlamalar veya şartlar haricinde tüm dünya genelinde geçerlidir. Daha fazla ayrıntı ya da bu garanti kapsamında servis almak için bizimle veya bayinizle irtibat kurun.

prodejce původně čističku vzduchu prodal. Tato záruka se nevztahuje na vyměnitelné filtry čističky vzduchu. Jedná se totiž o nahraditelné díly, které se mohou běžným používáním opotřebovat ještě před uplynutím tříleté lhůty. JAKÁKOLI PŘEDPOKLÁDANÁ ZÁRUKA, VČETNÉ ZÁRUKY PRODEJNOSTI NEBO VHODNOSTI PRO URČITÝ ÚČEL, JE TÍMTO ČASOVĚ OMEZENA NA VÝŠE UVEDENOU ZÁRUČNÍ DOBU. V žádném případě není společnost Fellowes odpovědná za případné následné nebo náhodné škody prisuzované tomuto produktu. Tato záruka vám přiznává určená zákonná práva. Doba trvání, náležitosti a podmínky týkající se této záruky platí celosvětově, kromě případů, kde místní zákony ukládají odlišná omezení, výhrady nebo podmínky. Se žádostí o další podrobnosti nebo o servis v rámci této záruky se obraťte přímo na nás nebo na svého prodejce.

OBMEDZENÁ ZÁRUKA NA ZARIADENIE (SLOVENČINA)

Obmedzená záruka: Spoločnosť Fellowes, Inc. („Fellowes”) zaručuje, že diely zariadenia budú bez akýchkoľvek chýb materiálu a spracovania a poskytuje servis a podporu po dobu 3 rokov od dátumu zakúpenia pôvodným spotrebiteľom. Ak sa počas záručnej lehoty zistí akýkoľvek chybný diel, bude vaším jediným a výhradným nápravným opatrením oprava alebo výmena chybného dielu podľa uváženia spoločnosti Fellowes a na jej náklady. Táto záruka sa nevzťahuje na škody spôsobené používaním filtrov, ktoré spoločnosť Fellowes neschválila, alebo nedodržaním odporúčaných intervalov výmeny. Táto záruka neplatí v prípadoch nesprávneho použitia, nesprávnej manipulácie, nedodržania noriem používania výrobku, prevádzky s použitím nesprávneho zdroja napájania (iného než uvedeného na štítku) alebo neoprávnenej opravy. Spoločnosť Fellowes si vyhradzuje právo splatniť zákaznikom náklady navyše, ktoré vzniknú pre Fellowes pri poskytovaní dielov alebo

KORLÁTOZOTT TERMÉKGARANCIA (MAGYAR)

Korlátozott jótállás: A Fellowes, Inc. („Fellowes”) garantálja, hogy a gép alkatrészeiben nincs semmilyen anyaghiba és gyártási hiba, és a vállalat az eredeti vásárlás dátumától számított 3 évig szervizt és támogatást biztosít. Ha a jótállási időszak alatt bármely alkatrész meghibásodik, az Ön egyedüli és kizárólagos jogorvoslata a hibás alkatrész javítására vagy cseréjére korlátozódik a Fellowes belátása szerint és az ő költségére. Jelen jótállás nem terjed ki a Fellowes által jóvá nem hagyott szűrők használatra vagy a javasolt csereperiódus figyelmen kívül hagyása okozta meghibásodásokra. Ez a jótállás nem érvényes helytelen kezelés, megrongálás, a termék normál használatának be nem tartása, nem megfelelő tápellátással történő (a címkén lévő értéktől eltérő) használat, illetve illetéktelen javítás esetére. A Fellowes fenntartja azon jogát, hogy a vásárlóra hárítson minden további költséget, amely a Fellowes-nál az alkatrészek vagy szolgáltatások biztosítása kapcsán merült fel azon az országon kívül, amelyben a légtisztítót a megbízott viszonteladók eredetileg értékesítették. Ez a jótállás nem

GARANTIA LIMITADA DE PRODUTO

Garantia limitada: A Fellowes, Inc. (“Fellowes”) garante que as peças do equipamento estão isentas de quaisquer defeitos de material e mão-de-obra e oferece suporte e assistência durante três anos a contar da data de compra pelo consumidor original. Se encontrar um defeito em qualquer peça durante o período de garantia, o seu único e exclusivo recurso será a reparação ou a substituição, mediante o critério e o encargo da Fellowes, da peça com defeito. Esta garantia não cobre danos causados pela utilização de filtros que não sejam aprovados pela Fellowes ou pelo incumprimento do plano de substituição recomendado. Esta garantia não se aplica em casos de utilização abusiva, manuseamento inadequado, incumprimento das normas de utilização do produto, utilização com uma fonte de alimentação inadequada (outra que não a indicada na etiqueta) ou reparações não autorizadas. A Fellowes reserva-se o direito de cobrar aos consumidores quaisquer custos adicionais acarretados pela Fellowes para o fornecimento de peças ou de serviços fora do país onde o

szűlőbe a légtisztító cserélhető szűrőire, amely olyan fogyóeszköznek számít, amely három éven belül normál használat mellett elkophat. A FORGALOMBA HOZHATÓSÁGRA, ILLETVE AZ ADOTT CÉLRA VALÓ ALKALMASSÁGRA VONATKOZÓ RÁUTALÓ MAGATARTÁSSAL VÁLLALT JÓTÁLLÁS A FENT MEGÁLLAPÍTOTT JÓTÁLLÁSI IDŐSZAK IDŐTARTAMÁRA KORLÁTOZÓDIK. A Fellowes semmilyen körülmények között nem tartozik felelősséggel a készülékkel összefüggésbe hozható következményként vagy véletlenszerűen kialakuló károkért. Ez a jótállás bizonyos jogokat biztosít Önnek. A jótállás időtartama és feltételei az egész világon érvényesek, azokat a helyeket kivéve, ahol a helyi törvények különböző korlátozásokat, megszorításokat vagy feltételeket tesznek szükségessé. A részletekért, illetve a jótállás alá eső szerviz igénybe vételéért lépjen kapcsolatba velünk vagy a viszonteladójával.

serviz

érvényes a légtisztító cserélhető szűrőire, amely olyan fogyóeszköznek számít, amely három éven belül normál használat mellett elkophat. A FORGALOMBA HOZHATÓSÁGRA, ILLETVE AZ ADOTT CÉLRA VALÓ ALKALMASSÁGRA VONATKOZÓ RÁUTALÓ MAGATARTÁSSAL VÁLLALT JÓTÁLLÁS A FENT MEGÁLLAPÍTOTT JÓTÁLLÁSI IDŐSZAK IDŐTARTAMÁRA KORLÁTOZÓDIK. A Fellowes semmilyen körülmények között nem tartozik felelősséggel a készülékkel összefüggésbe hozható következményként vagy véletlenszerűen kialakuló károkért. Ez a jótállás bizonyos jogokat biztosít Önnek. A jótállás időtartama és feltételei az egész világon érvényesek, azokat a helyeket kivéve, ahol a helyi törvények különböző korlátozásokat, megszorításokat vagy feltételeket tesznek szükségessé. A részletekért, illetve a jótállás alá eső szerviz igénybe vételéért lépjen kapcsolatba velünk vagy a viszonteladójával.

serviz

serviz

purificador de ar foi originalmente vendido por um revendedor autorizado. Esta garantia não inclui os filtros substituíveis de limpeza do ar, esta é uma peça dispensável que se pode desgastar da sua utilização normal antes de três anos de validade. QUALQUER GARANTIA IMPLÍCITA, INCLUINDO DE COMERCIALIZAÇÃO OU DE ADEQUAÇÃO PARA UMA FINALIDADE EM PARTICULAR, É AQUI LIMITADA AO PERÍODO DE GARANTIA APROPRIADO, CONFORME ANTERIORMENTE ESTABELECIDO. Em caso algum poderá a Fellowes ser responsabilizada por quaisquer danos secundários ou acidentais imputáveis a este produto. Esta garantia concede-lhe direitos legais específicos. A duração e os termos e condições desta garantia são válidos a nível mundial, salvo em caso de imposição de limitações, restrições ou condições diferentes pelas leis locais. Para obter mais pormenores ou receber assistência nos termos desta garantia, contacte-nos diretamente ou consulte o seu representante autorizado.

W.E.E.E.

English



Environmental protection
Disposal of old electric devices.

The European directive 2012/19/EU for waste of electrical and electronic equipment (WEEE) states that used household devices should not be disposed of with unsorted community waste. These used devices must be collected separately from household waste in order to increase the percentage of recovered devices and to recycle their parts, with the goal of reducing the negative effects on human health and on the environment. The symbol of the crossed out garbage can will be stamped onto all devices as a reminder of the obligation to put them in a separate garbage collection. The consumer must consult local authorities or the vendor to inform themselves about the manner in which their device should be disposed of.

For more information on the WEEE Directive please visit www.fellowesinternational.com/WEEE

French



Protection de l'environnement
Mise au rebut des appareils électriques usagés.

La directive européenne 2012/19/EU relative aux déchets d'équipements électriques et électroniques (DEEE) stipule que les appareils ménagers usagés de doivent pas être mis au rebut avec les déchets municipaux non triés. Ces appareils usagés doivent être collectés séparément des déchets ménagers pour augmenter le pourcentage d'appareils récupérés et pouvoir recycler leurs pièces afin de réduire les effets négatifs sur la santé et l'environnement. Le symbole de la poubelle barrée sera apposé sur tous les appareils pour rappeler aux utilisateurs de les mettre au rebut séparément. Le consommateur doit consulter les autorités locales ou le détaillant pour savoir comment mettre leur appareil au rebut.

Pour obtenir des plus amples informations sur cette directive, rendez-vous sur www.fellowesinternational.com/WEEE

Spanish



Protección medioambiental
Desecho de dispositivos eléctricos antiguos.

La directiva europea 2012/19/EU sobre residuos de aparatos eléctricos y electrónicos (WEEE) establece que los dispositivos domésticos usados no deben desecharse con los residuos comunitarios sin clasificar. Estos dispositivos usados deben recogerse por separado de los residuos domésticos para incrementar el porcentaje de dispositivos recuperados y reciclar sus piezas, con el objetivo de reducir los efectos negativos sobre la salud humana y el medioambiente. El símbolo del contenedor de residuos tachado se estampará en todos los dispositivos como recordatorio de la obligación de colocarse en contenedores de recolección de residuos separados. El consumidor debe consultar a las autoridades locales o al proveedor para informarse acerca de cómo debe desecharse su dispositivo.

Para más información acerca de la Directiva WEEE, visite www.fellowesinternational.com/WEEE

German



Umweltschutz
Beseitigung der alten elektrischen Geräte.
Die europäische Richtlinie 2012/19/EU über Elektro- und Elektronik-Altgeräte (WEEE) besagt, dass gebrauchte Haushaltsgeräte nicht zusammen mit unsortiertem Gemeindeabfall entsorgt werden dürfen. Diese gebrauchten Geräte müssen vom regulären Haushaltsmüll getrennt gesammelt werden, um den Anteil zurückgewonnener Geräte zu erhöhen und deren Materialien zu recyceln mit dem Ziel, die Auswirkungen auf die menschliche Gesundheit und auf die Natur zu verringern. Das Zeichen der durchgestrichenen Mülltonne wird auf alle Geräte aufgebracht, um an die Verpflichtung zur getrennten Sammlung zu erinnern. Die Verbraucher müssen die lokalen Verantwortlichen oder ihren Verkäufer ansprechen, um sich über die Art und Weise zu erkundigen, wie ihr Gerät entsorgt werden muss.

Mehr Informationen zur WEEE-Richtlinie finden Sie unter: www.fellowesinternational.com/WEEE

Italian



Protezione ambientale
Smaltimento delle apparecchiature elettriche.

La Direttiva Europea 2012/19/EU concernente i rifiuti di apparecchiature elettriche ed elettroniche (WEEE) stabilisce che i dispositivi domestici usati non devono essere smaltiti nel normale flusso dei rifiuti solidi urbani; devono invece essere raccolti separatamente per aumentare la percentuale di dispositivi recuperati e consentire il riciclaggio dei materiali di cui sono composti, con l'obiettivo di ridurre gli effetti negativi sulla salute dell'uomo e sull'ambiente. Il simbolo del bidone dell'immondizia cancellato sarà stampato su tutti i dispositivi come promemoria dell'obbligo di smaltirli in conformità alle norme della raccolta differenziata dei rifiuti. Il consumatore deve consultare le autorità locali o il rivenditore per informazioni sulle modalità di smaltimento dei propri dispositivi.

Per ulteriori informazioni sulla Direttiva WEEE, consultare il sito www.fellowesinternational.com/WEEE

Dutch



Milieubescherming
Afvoer van oude elektrische apparaten.

De Europese richtlijn 2012/19/EU voor afval van elektrische en elektronische apparatuur (AEEA) bepaalt dat gebruikte huishoudelijke apparaten niet mogen worden afgevoerd met het angesorteerde huisvuil. Deze gebruikte apparaten moeten gescheiden van het huisvuil worden ingezameld om het percentage herwonnen apparaten te verhogen en hun onderdelen te recycelen, met het doel om de negatieve gevolgen voor de menselijke gezondheid en het milieu te beperken. Het symbool van de doorgestreepte vuilnisbak wordt op alle apparaten aangebracht als herinnering aan de verplichting om deze apart in te zamelen. De consument moet de lokale autoriteiten of de leverancier raadplegen voor informatie over de manier waarop hun apparaat moet worden afgevoerd.

Voor meer informatie over de AEEA-richtlijn kunt u terecht op www.fellowesinternational.com/WEEE

Swedish



Miljöskydd
Kassering av uttjänta elektriska enheter.

I EU-direktivet 2012/19/EU om avfall som innehåller elektriska eller elektroniska produkter (WEEE) fastställs att uttjänta hushållsapparater inte ska kastas i hushållsoporna. De förbrukade enheterna måste separeras från hushållsavfallet och lämnas in så att fler enheter kan återfås och delarna återvinnas. Detta för att minska de skadliga effekterna på människors hälsa och miljön. Symbolen av en överkörsad soptunna stämplas på alla enheter som en påminnelse om att enheterna ska lämnas in för återvinning. Konsumenten ska kontakta lokala myndigheter eller återförsäljaren för att ta reda på hur deras apparat ska sopsorteras.

För mer information om WEEE-direktivet besök gärna www.fellowesinternational.com/WEEE

Danish



Miljøbeskyttelse
Bortskaffelse af gammelt elektrisk udstyr.

Det europæiske direktiv 2012/19/EU om affald af elektrisk og elektronisk udstyr (WEEE) erklærer, at brugt husholdningsudstyr ikke bør bortskaffes med usorteret affald fra lokalområdet. Dette brugte udstyr skal indsamles særskilt fra husholdningsaffald i forsøg på at forhøje procentdelen af udvundet udstyr og at genanvende reservedele med det formål at reducere de negative virkninger for menneskers sundhed og for miljøet. Symbolet med den afkrydsede skraldespand vil blive trykt på alt udstyr for at minde om smide dem til separat affaldsindsamling, hvilket er en forpligtelse. Forbrugeren skal tage kontakt til de lokale myndigheder eller forhandleren for at blive informeret om hvordan deres udstyr skal bortskaffes.

Find mere information om WEEE direktivet på www.fellowesinternational.com/WEEE

Finnish



Ympäristön suojelu
Käytettyjen elektroniikkalaitteiden hävittäminen.
Euroopan unionin käytettyihin sähkö- ja elektroniikkalaitteisiin liittyvän 2012/19/EU-direktiivin (WEEE) mukaan käytettyjä kotitalouslaitteita ei saa hävittää lajittelemattoman talousjätteen mukana. Nämä käytetyt laitteet on kerättävä erillään kotitalousjätteestä talteen otettavien laitteiden prosenttiosuuden lisäämiseksi ja osien kierrättämiseksi, minkä tarkoituksena on vähentää kielteisiä vaikutuksia ihmisten terveydelle ja ympäristölle. Rastilla ylivedetyn jäteastian symboli painetaan kaikkiin laitteisiin muistutuksena siitä, että laitteet on laitettava erilliseen keräysastiaan. Kuluttajan on pyydettävä paikallisilta viranomaisilta tai jälleenmyyjältä tietoja laitteen asianmukaisesta hävitystavasta.

Lisätietoja WEEE-direktiivistä on osoitteessa www.fellowesinternational.com/WEEE

Norwegian



Miljøvern
Kassering av gamle elektriske apparater.

Det europeiske direktivet 2012/19/EU for avfall av elektrisk og elektronisk utstyr (WEEE) sier at brukte husholdningsapparater ikke bør behandles med usortert husholdningsavfall. Disse brukte enhetene må samles inn separat fra husholdningsavfall for å øke andelen av gjenvunne enheter og for å resikulere delene, med mål om å redusere de negative virkningene på menneskers helse og på miljøet. Symbolet av den utkrydsede søppelbøtten kan bli stemplet på alle enhetene som en påminnelse om plikten til å sette dem i en egen søppelrydding. Forbrukeren må rådføre seg hos de lokale myndighetene eller leverandøren for å informere seg om måten der enheten bør avhendes.

For mer informasjon om WEEE-direktivet, vennligst besøk www.fellowesinternational.com/WEEE

Polish



Ochrona środowiska

Wyrzucanie starych urządzeń elektrycznych.

Dyrektywa europejska 2012/19/EU w sprawie zużytego sprzętu elektrotechnicznego i elektronicznego (WEEE) określa, że zużyte urządzenia AGD nie powinny być wyrzucane razem z nieposortowanymi odpadami komunalnymi. Te zużyte urządzenia powinny być zbierane osobno w celu zwiększenia liczby odzyskanych urządzeń oraz poddania ich części recyklingowi, aby zmniejszyć negatywny wpływ na zdrowie ludzkie i środowisko. W celu przypomnienia o obowiązku osobnego zbierania odpadów na wszystkich urządzeniach wytłaczany jest symbol przekreślonego kosza na śmieci. Konsument musi skonsultować się z lokalnym urzędem lub sprzedawcą w celu uzyskania informacji na temat sposobu wyrzucania urządzenia.

Więcej informacji znajdziecie Państwo na stronie www.fellowesinternational.com/WEEE

Russian



Защита окружающей среды

Утилизация старых электрических устройств.

Согласно европейской директиве 2012/19/EU об утилизации электрического и электронного оборудования (WEEE), отработавшие свой срок бытовые приборы не должны утилизироваться вместе с несортированными бытовыми отходами. Данные устройства должны утилизироваться отдельно от бытовых отходов для повышения процента восстановленных устройств и переработки их компонентов с целью снижения негативного влияния на здоровье человека и окружающую среду. На всех устройствах должен присутствовать значок в виде перечеркнутого мусорного бака как напоминание о необходимости их утилизации через специальные пункты сбора. Потребителю следует проконсультироваться с местными органами власти или с поставщиком, чтобы узнать о том, как следует утилизировать данное устройство.

Для получения дополнительной информации о директиве WEEE, пожалуйста, посетите веб-сайт www.fellowesinternational.com/WEEE

Greek



Προστασία του περιβάλλοντος

Διάθεση παλαιών ηλεκτρικών συσκευών.

Η Ευρωπαϊκή Οδηγία 2012/19/ΕΕ σχετικά με τα απόβλητα ηλεκτρικού και ηλεκτρονικού εξοπλισμού (ΑΗΗΕ) αναφέρει ότι οι χρησιμοποιημένες οικιακές συσκευές δεν θα πρέπει να απορρίπτονται μαζί με τα αδιαχώριστα αστικά απόβλητα. Αυτές οι χρησιμοποιημένες συσκευές πρέπει να συλλέγονται ξεχωριστά από τα οικιακά απόβλητα προκειμένου να αυξηθεί το ποσοστό της ανάκτησης συσκευών και της ανακύκλωσης των εξαρτημάτων τους, με στόχο τη μείωση των αρνητικών επιπτώσεων στην ανθρώπινη υγεία και το περιβάλλον. Το σύμβολο του διαγραμμένου κάδου απορριμμάτων θα τυπώνεται σε όλες τις συσκευές ως υπενθύμιση της υποχρέωσης για την τοποθέτησή τους σε ξεχωριστή συγκέντρωση απορριμμάτων. Ο καταναλωτής πρέπει να επικοινωνήσει με τις τοπικές αρχές ή τον προμηθευτή για να ενημερωθεί σχετικά με τον ορθό τρόπο διάθεσης της συσκευής του.

Για περισσότερες πληροφορίες για την Οδηγία σχετικά με τα απόβλητα ηλεκτρικού και ηλεκτρονικού εξοπλισμού (ΑΗΗΕ), επισκεφθείτε τον ιστότοπο www.fellowesinternational.com/WEEE

Turkish



Çevresel koruma

Eski elektrikli cihazların imha edilmesi.

Elektrikli ve elektronik cihazların imha edilmesi (WEEE) ile ilgili 2012/19/EU Avrupa direktifi, ev tipi cihazların düzenlenmemiş genel çöplerle birlikte imha edilmemesini şart koşmaktadır. İnsan sağlığı ve çevreye olan olumsuz etkilerini azaltmak amacıyla, geri kazanılan cihazların yüzdesini artırmak ve parçalarını geri dönüştürmek için söz konusu kullanılmış cihazlar ev tipi atıklardan ayrı olarak toplanmalıdır. Aynı bir çöp kutusuna atılması zorunluluğunu hatırlatmak amacıyla tüm cihazlara üzeri çarpi işaretli çöp kutusu simgesi yerleştirilecektir. Tüketicici, cihazın nasıl imha edileceğini öğrenmek amacıyla yerel otoritelere veya satıcıya başvurmalıdır.

WEEE direktifi ile ilgili daha fazla bilgi edinmek için lütfen www.fellowesinternational.com/WEEE adresini ziyaret edin

Czech



Ochrana životního prostředí

Likvidace starých elektrických zařízení.

Směrnice Evropské unie 2012/19/EU o odpadních elektrických a elektronických zařízeních (OEEZ) uvádí, že použité domácí spotřebiče by neměly být likvidovány společně s netříděným komunálním odpadem. Tato použitá zařízení musí být shromážděna odděleně od domovního odpadu. Zvýší se tak procento repasovaných zařízení a míra recyklace jejich dílů, čímž se sníží negativní dopady na lidské zdraví a životní prostředí. Na všech zařízeních bude uveden symbol přeškrtnuté popelnice, který uživatelům připomene povinnost uložit zařízení při sběru odpadu samostatně. Spotřebitel se musí ohledně způsobu likvidace zařízení informovat u místních úřadů nebo u prodejce.

Více informací o směrnici OEEZ najdete na stránkách www.fellowesinternational.com/WEEE

Slovak



Ochrana životného prostredia a

súvisiaca likvidácia elektrických zariadení.

Európska smernica 2012/19/EU o odpade elektrických a elektronických zariadení (WEEE) uvádza, že použité domáce zariadenia by sa nemali likvidovať spolu s netriedeným komunálnym odpadom. Tieto použité zariadenia sa musia zbierať zvlášť, aby sa zvýšilo percento obnovených zariadení a ich recyklovaných častí, s cieľom zníženia negatívnych vplyvov na ľudské zdravie a životné prostredie. Symbol prekríženého odpadkového koša môže byť umiestnený na zariadeniach ako pripomenka povinnosti dať zariadenia do triedeného zberu odpadu. Spotrebiteľ musí konzultovať s miestnymi úradmi alebo dodávateľom informácie o spôsobe likvidácie zariadenia.

Ak chcete viac informácií o smernici WEEE, navštívte, prosím, stránku www.fellowesinternational.com/WEEE

Hungarian



Környezetvédelem

Elektronikus berendezések hulladékként történő elhelyezése.

Az Európai Unió 2012/19/EU irányelve (WEEE) az elektromos és elektronikus berendezések hulladékairól rögzíti, hogy a használt háztartási berendezéseket tilos a ki nem válogatott kommunális hulladékkal együtt elhelyezni. Ezeket a használt készülékeket a kommunális hulladéktól elkülönítve kell gyűjteni annak érdekében, hogy növeljék az újrahasznosított eszközök és alkatrészek arányát, amelynek célja az emberi egészségre és a környezetre gyakorolt negatív hatások csökkentése. Az áthúzott szemestartály szimbólumot minden eszközre rá lehet bélyegezni emlékeztetőként, hogy ezeket külön hulladékgyűjtő helyen kell elhelyezni. A fogyasztó köteles konzultálni a helyi hatóságokkal vagy az eladóval, hogy tájékozódjon készüléke elhelyezésének megfelelő módjáról.

A WEEE Irányelvre vonatkozó további információért kérjük, keresse fel a következő internetes oldalt: www.fellowesinternational.com/WEEE.

Portuguese



Proteção ambiental

Eliminação de dispositivos elétricos velhos.

A Diretiva Europeia 2012/19/EU para Resíduos de Equipamentos Elétricos e Eletrónicos (REEE) determina que os dispositivos domésticos usados não devem ser eliminados juntamente com resíduos comunitários indiferenciados. Estes dispositivos usados devem ser recolhidos separadamente dos resíduos domésticos, de forma a aumentar a percentagem de dispositivos recuperados e para recicar as suas peças, com o objetivo de reduzir os efeitos negativos na saúde humana e no ambiente. O símbolo de contentor de lixo barrado com uma cruz deve ser impresso em todos os dispositivos como um lembrete da obrigação de colocá-los numa recolha separada de lixo. O consumidor deve consultar as autoridades locais ou o fornecedor para se informar sobre a forma como o seu dispositivo deve ser eliminado.

Para obter mais informações sobre a Diretiva relativa a Resíduos de Equipamentos Elétricos e Electrónicos (REEE), visite o endereço www.fellowesinternational.com/WEEE

